

YAESU

The radio



GS-065 THRUST BEARING

The GS-065 is designed to a highly reliable single-component trust (mast/stay) bearing also enhance the safety of an antenna system.

Accepts masts up to 65-mm diameter.

The housing consists of highly corrosion-resistant diecast aluminum with a baked enamel finish.

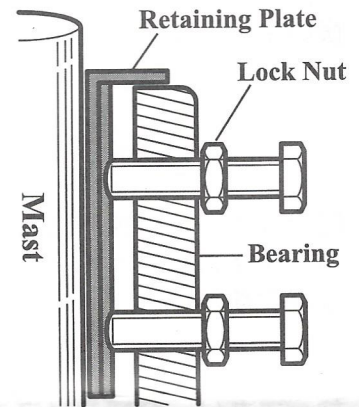
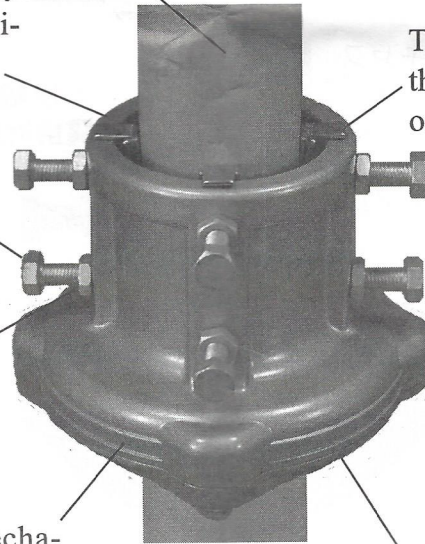
Hardened mounting bolts.

Lock nuts ensure reliable mast attachment.

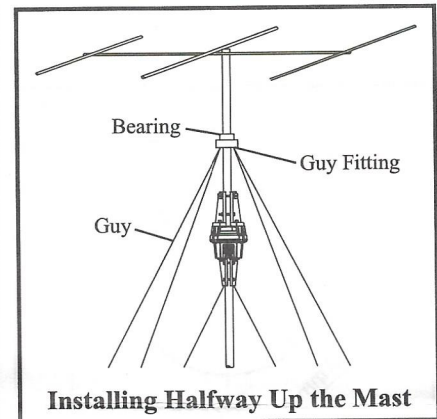
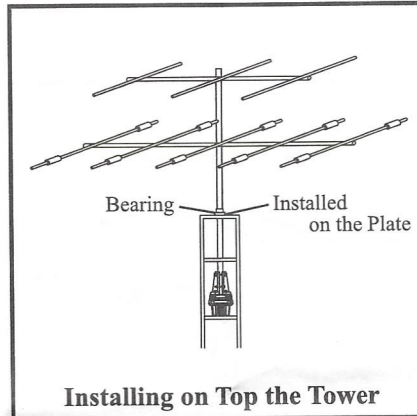
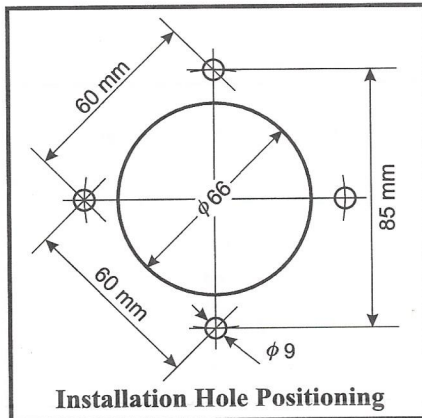
Reliable two-level bearing mechanism and metallic molybdenum grease (black) provides a practically unlimited useful life.

A retaining plate mechanism changes the nature of the contact with the mast from point to surface contact.

The result is significant reduction in the potential for the mast to break or become corroded.



Grooves for installing guy attachment fitting allow easy tightening.



Maximum Mast Diameter: 65 mm

Weight: Approx. 1.5 kg

Material: Corrosion-resistant Diecast Aluminum

Accessories:

Guy Attachment	4 pieces
Retaining Plate	4 pieces
Hexagonal Bolts (M8 x 16)	4 pieces
Spring Washer (8 mm)	4 pieces

YAESU MUSEN CO., LTD.

Tennozu Parkside Building
2-5-8 Higashi-Shinagawa, Shinagawa-ku, Tokyo 140-0002 Japan

YAESU USA

6125 Phyllis Drive, Cypress, CA 90630, U.S.A.

YAESU UK

Unit 12, Sun Valley Business Park, Winnall Close
Winchester, Hampshire, SO23 0LB, U.K.

