



# G-100DXC G-280DXC

## Antenna Rotator & Controller

### User Manual

**VERTEX STANDARD CO., LTD.**

4-8-8 Nakameguro, Meguro-Ku, Tokyo 153-8644, Japan

**VERTEX STANDARD**

**US Headquarters**

17210 Edwards Rd., Cerritos, CA 90703, U.S.A.

**International Division**

8350 N.W. 52nd Terrace, Suite 201, Miami, FL 33166, U.S.A.

**YAESU EUROPE B.V.**

P.O. Box 75525, 1118 ZN Schiphol, The Netherlands

**YAESU UK LTD.**

Unit 12, Sun Valley Business Park, Winnall Close  
Winchester, Hampshire, SO23 0LB, U.K.

**YAESU GERMANY GmbH**

Am Kronberger Hang 2, D-65824 Schwalbach, Germany

**VERTEX STANDARD HK LTD.**

Unit 5, 20/F., Seaview Centre, 139-141 Hoi Bun Road,  
Kwun Tong, Kowloon, Hong Kong

*English*

*Español*

*Deutsch*

*Français*

*Italiano*





# G-1000DXC/G-2800DXC

## Heavy-Duty Antenna Rotator & Controller

The Yaesu **G-1000DXC** and **G-2800DXC** are designed to rotate large tower-mounted amateur and professional antenna arrays under remote control from the station operating position. The clamshell rotator design utilizes 100 7/16-inch dual-stacked circumferential ball bearings to distribute load over the full diameter of the housing. This design minimizes stress and wear, and practically eliminates the possibility of destructive water entry: there is no shaft hole in the top of the housing.

Instead of the usual AC motor drive used in older rotator designs, the **G-1000DXC** and **G-2800DXC** use a variable-voltage DC motor, obviating the need for a large starting capacitor with its potential for failure exposed to outside temperature variations. The factory-lubricated rotator unit is housed in melamine resin-coated die-cast aluminum, intended to provide maintenance-free operation under all climatic conditions. A mast alignment gauge on the rotator housing simplifies accurate mechanical alignment during installation.

The handsome desktop controller matches the design of modern transceivers, providing 360° radial indication of actual antenna bearing azimuth. You can select rotating speeds from 40 to 100 seconds per (360°) rotation (**G-1000DXC**, **G-2800DXC**: 50 to 120 seconds per (360°) rotation), and can preset a desired heading for the rotator, to which it then turns automatically.

In the **G-2800DXC** model, when a fast rotating speed is selected, special “auto slow start” and “auto slow stop”

features avoid sharp jolts to the antenna array and tower. Activating the rotator causes it to begin turning at slow speed. As the antenna approaches the desired heading rotation automatically slows before bringing the antenna to a gentle stop. The operator may select the stopper heading (the bearing through which the rotator cannot be turned) most convenient for his location and operation, allowing full rotation through north, south or both, if desired. In any case, 90° overlapping rotation allows rotation through the selected stopper heading (450° total rotation).

The rotator is intended for mounting inside a support tower (not supplied), at least 1 meter from the top, with an optional (Yaesu model **GS-680U**) thrust bearing above. This kit includes one mast clamp and related hardware, plus plug connectors for both the rotator and controller to simplify installation and servicing. The **G-40MWP** 40 m length Control Cable is optional.

The **GS-232A** Computer Control Unit is available as an option, allowing positioning of the antenna by a personal computer, via an RS-232 serial interface.

Please read this manual through carefully before installing the rotator, to acquaint yourself with the procedures that will be required, and to ensure that you have all necessary items for your installation.

# Safe and Correct Use of the Equipment

## Meaning of Symbols



### Warning

Indicates that failure to follow the associated instructions could result in death or serious injury.



### Caution

Indicates that failure to follow the associated instructions could result in injury or physical damage.

## Meaning of Symbols Used in Diagrams



Indicates that the associated instructions must always be followed to ensure safe operation of the equipment.



Indicates unsafe operations that should never be performed.



## Warning



**Please read this user manual thoroughly and familiarize yourself with the correct installation procedure before starting installation.**

Installing this product requires work to be undertaken high above ground. Performing work with which you are unfamiliar can lead to fatal accidents due to falling.

Similarly, failing to install the product correctly can be a cause of the antenna and associated equipment collapsing, resulting in a fatal accident or damage to houses or other property. Accordingly, always check all safety considerations before starting work.



**Ensure that the size of the antenna attached to this product is within the specifications listed in this manual.**

Attaching an antenna that is larger than allowed by the specifications can be a cause of the antenna and associated equipment collapsing, resulting in a fatal accident or damage to houses or other property.



**When working high above ground, ensure that there are no people at ground level.**

Dropping tools, bolts, or other parts could result in death or serious injury.



**Always wear a safety harness when working high above ground.**

Failure to use a safety harness can be a cause of death or serious injury.



**Ensure that the bolts and other fasteners used for installation are tightened securely.**



Failure to tighten bolts and other fasteners sufficiently can be a cause of the antenna and associated equipment collapsing, resulting in a fatal accident or damage to houses or other property.







**Never disassemble or modify the unit.**




# Safe and Correct Use of the Equipment








## Caution


-  **When installing this product, take care not to jam your fingers between parts or cut fingers on edges of parts.**
-  **If the condition of the equipment is abnormal such as emitting smoke or an unusual smell, continuing to use the equipment may result in fire or malfunction.**

In such cases, turn off the power immediately and unplug from the power socket.  
After checking that the equipment is no longer emitting the smoke or unusual smell, return the product to the vendor or to your nearest Yaesu Musen office or service center for repair.
-  **In the event of foreign material getting inside the controller, turn off the power immediately and unplug from the power socket.**

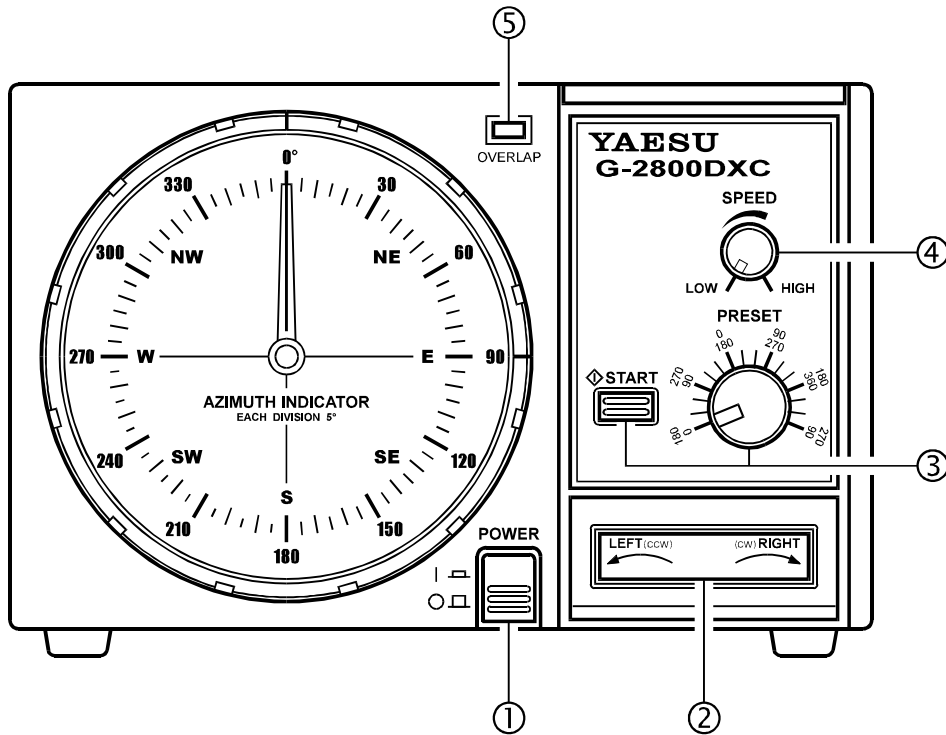
Continuing to use the product in this condition can result in fire or malfunction.
-  **Do not use the product with a power supply voltage other than the specified voltage as this can cause fire or electric shock.**
-  **In the product is to remain unused for a long period of time, unplug the AC power cable from the AC wall outlet and Rotator Control Cable from the jack for safety.**
-  **Do not operate continuously for more than 3 minutes.**

The equipment can be operated for up to 5 minutes but operation must be halted and the motor rested for at least 15 minutes afterwards.
-  **There are no serviceable parts inside the rotator or controller; therefore, never open these units.**
-  **Do not place the controller in an unstable position such as on an unsteady or sloping surface as this can cause the controller to fall or tip over causing injury.**
-  **Do not place heavy objects on the power cable and do not excessively bend or pull the cable.**

Damage to the power cable can cause fire or malfunction.
-  **Do not place the controller in direct sunlight or close to heaters as this can cause the box to distort or discolor.**
-  **Do not place the controller in humid or dusty environments as this can cause fire or malfunction.**
-  **Do not place the controller in enclosed or poorly ventilated positions such as in a bookshelf as this can cause fire or faults.**
-  **Do not place the controller on carpet or bedding as this can cause heat to build up internally resulting in fire.**
-  **Do not place heavy objects on top of the controller as this can cause the controller to fall or tip over causing injury.**
-  **Do not place small metal objects such as paper clips on top of the controller as these can fall into the controller causing fire or malfunction.**
-  **Do not wipe the controller with solvents such as thinner or benzene as this can cause the box to distort or discolor.**

To clean the controller, gently wipe with a cloth moistened with a neutral detergent and clean off with a dry cloth.
-  **Do not turn on the power supply until rotator and controller setup is complete.**

# Controller Front Panel



## ① POWER Switch

Press this switch to turn the controller on to rotate the antenna. Turn it off when the rotator is not in use.

## ② LEFT/RIGHT Seesaw Switch

Press the **LEFT** side of this switch to rotate the antenna counter-clockwise (CCW). Press the **RIGHT** side to rotate the antenna clockwise (CW).

## ③ PRESET Control and START Switch

Set the **PRESET** control to the desired antenna heading according to the *inner* angular scale (0 ~ 90) around this control, then press the (momentary) **START** switch to activate automatic rotation to the desired heading. You can press the **LEFT/RIGHT** switch to abort preset operation.

*Note:* If you change the rotator starting position to the 180° (S: South), set the **PRESET** control to the desired antenna heading according to the *outer* angular scale (180 ~ 270) around this control.

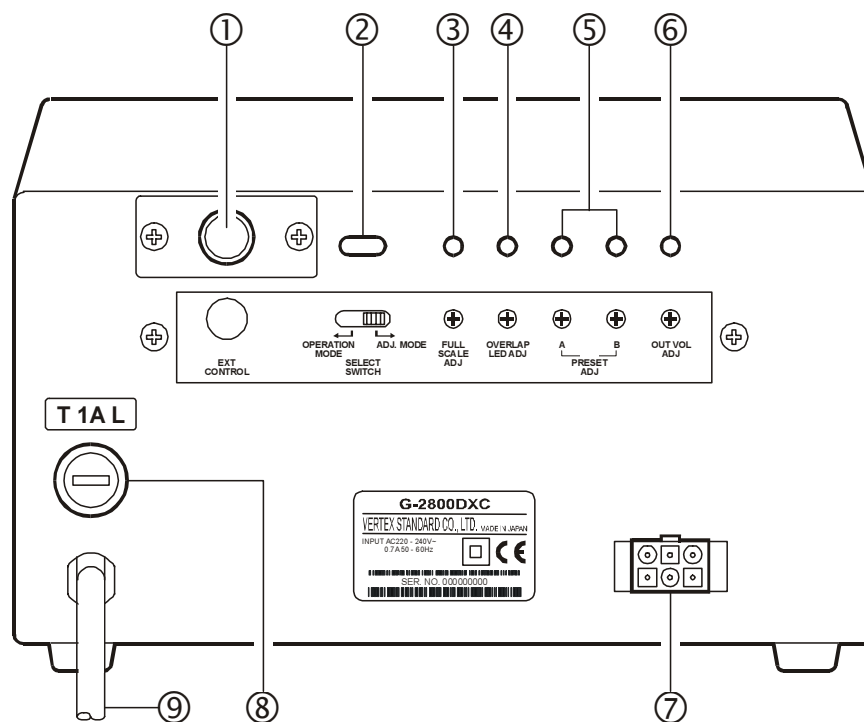
## ④ SPEED Control

Set this control for the desired rotating speed between approximately 30 and 100 seconds per 360° revolution.

## ⑤ OVERLAP Indicator

This red LED glows when the antenna is rotated beyond about 360° (to 450°) from its fully counter-clockwise position. Check this indicator before rotating the antenna clockwise, and turn the antenna counter-clockwise to the desired position if the indicator is on.

# Controller Rear Panel



## ① EXT CONTROL Connector

This 6-pin mini-DIN connector is used for connection to the optional **GS-232A** Computer Control Unit.

## ② SELECT SWITCH

Set this switch to the “**ADJ. MODE**” position while calibrating the internal adjustments of the controller. During normal operation, however, set this switch to the “**OPERATION MODE**” position.

## ③ FULL SCALE ADJ Potentiometer

This control calibrates the maximum rotation angle (range) of the azimuth indicating needle to match the maximum angle of the rotator.

## ④ OVERLAP LED ADJ Potentiometer

This control calibrates the **OVERLAP** Indicator to match the azimuth indicating needle.

## ⑤ PRESET ADJ (A & B) Potentiometers

These controls calibrate the angle of the **PRESET** control on the front panel to match the azimuth indicating needle. Pot. **A** should be adjusted only near the 0° position, and Pot. **B** only near the 450° position.

## ⑥ OUT VOL ADJ Potentiometer

This control presets the voltage range at pin 4 of the 6-pin mini-DIN **EXT CONTROL** Connector, for calibration of the A-to-D converter on the (optional) **GS-232A** Computer Control Unit.

## ⑦ Rotator Control Cable Jack

The supplied control cable from the rotator connects to this 6-pin jack.

## ⑧ FUSE Holder

This holder requires a 1-A fuse for AC voltage from 220 to 240V. If the fuse is blown, replace only with a fuse of the same rating. See your Yaesu dealer for a suitable replacement.

## ⑨ AC Cable

Connect this cable to the AC 220 - 240V wall outlet.

The types of antennas that can be attached to this prod-

# Antenna Considerations

uct differ widely, depending on the installation method, local terrain, and the maximum expected wind speeds at your location.

The following pages described typical antennas which are acceptable for installation with the **G-1000DXC** or **G-2800DXC**. The discussion below assumes maximum wind speeds of 30 meters per second, and *it is recommended that you include a safety margin of at least 40% to account for higher wind gusts or other factors which might potentially cause damage to your installation.*

## POLE-MOUNTED ANTENNAS

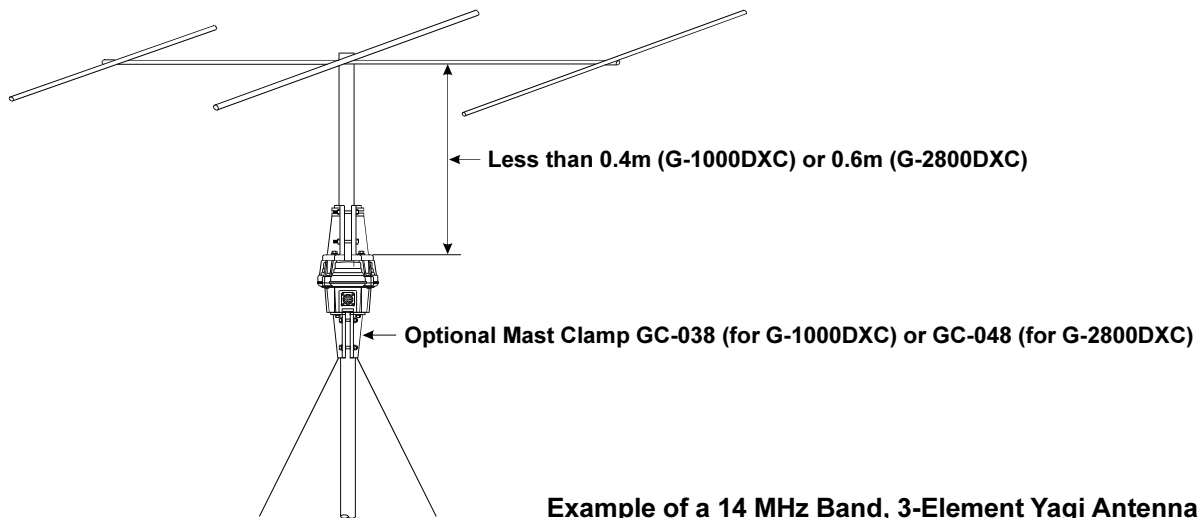
Mounting of the rotator on a pole or mast results in a significant de-rating of the size of the antenna which can be mounted, due to the tremendous bending forces applied to the rotator's clamps. For pole mounting, the product of multiplying the [Antenna Wind Load Area (in m<sup>2</sup>)] by the [Height of the Antenna Mast (in m)] must be **less than 0.45 (G-1000DXC)** or **0.8 (G-2800DXC)**. See below Table and Figure.

$$[\text{Antenna Wind Load Area}] \times [\text{Height of Antenna Mast}] = \mathbf{0.45 \text{ (G-1000DXC)}} \\ \mathbf{0.8 \text{ (G-2800DXC)}}$$

Refer to the antenna manufacturer's specification sheet for determining the weight and the surface area of the proposed antenna.

**Example** For a 14 MHz 3-element Yagi of Surface area of 0.7 m<sup>2</sup> (see Table 1), the above specifications for pole mounting will be met if the antenna is mounted on a mast not longer than 0.4 m (0.7 m<sup>2</sup> x 0.4 m = **0.28** = **0.28** [0.45 x 40% safety margin]: **G-1000DXC**), or 0.6 m (0.7 m<sup>2</sup> x 0.6 m = **0.42** < **0.48** [0.8 x 40% safety margin]: **G-2800DXC**).

**Advice** We recommend that your antennas/mast should not exceed 60% of the maximum rating, to ensure a safety margin.



**Wind Loading Areas for Common Antennas (Typical)**

Band (MHz)	Elements	Area (m <sup>2</sup> )	Band (MHz)	Elements	Area (m <sup>2</sup> )	Band (MHz)	Elements	Area (m <sup>2</sup> )
7	2-element	2.2	28	3-element	0.3	50	4-element	0.25
7	1-element, w/loading coils	0.2	28	4-element	0.42	50	5-element	0.3
7	2-element, w/loading coils	0.6	28	5-element	0.6	50	6-element	0.37
7	3-element, w/loading coils	1.1	28	2-element, Swiss Quad	0.3	50	2-element, Swiss Quad	0.3
14	3-element	0.7	7/14	3-element, trapped	0.5	144	10-element	0.2
14	4-element	1.2	7/14	4-element, trapped	0.8	144	10-element, stacked	0.44
14	5-element	1.7	14/21	3-element, trapped	0.4	144	10-element, x 4	0.95
21	3-element	0.45	14/21	4-element, trapped	0.5	144	10-element, x 4 x 2	2.0
21	4-element	0.6	21/28	3-element, trapped	0.3	430	12-element	0.06
21	5-element	0.8	21/28	4-element, trapped	0.4	430	12-element, stacked	0.12
21	6-element	1.3	14/21/28	3-element, trapped	0.4	430	12-element, x 4	0.3
21	2-element, Swiss Quad	0.3	14/21/28	4-element, trapped	0.5	430	12-element, x 4 x 2	0.6



# Antenna Considerations

## TOWER-MOUNTED ANTENNAS

In the preferred tower-mounting configuration, the antenna Wind Loading Area must be *less than* **2.2 m<sup>2</sup> (G-1000DXC)** or **3 m<sup>2</sup> (G-2800DXC)**, and the “**K**” factor (see below) must *not exceed* **230 (G-1000DXC)** or **950 (G-2800DXC)**, where **K** = [Antenna Turning Radius (m)] x [Antenna + Mast Weight (kg)].

Refer to the antenna manufacturer’s specification sheet for determining the turning radius and weight of the antenna.

**Example** In this example, mount the following antennas stacked on a 6 kg mast.

- (1) 14/21/28 MHz 5-element Yagi of Turning Radius 5.6 m, Weight of 26 kg, and Surface area 0.7 m<sup>2</sup>
- (2) 18 MHz 3-element Yagi of Turning Radius 5.0 m, Weight of 14 kg, and Surface area 0.7 m<sup>2</sup>
- (3) 50 MHz 5-element Yagi of Turning Radius 2.6 m, Weight of 4.5 kg, and Surface area 0.3 m<sup>2</sup>

**Note:** In such “Christmas Tree” installations, compute the mast weight separately for each antenna, using the relative heights of the antennas to apportion the mast weight.

The antenna system **K** factor, then, is the sum of the three antenna **K** factors:

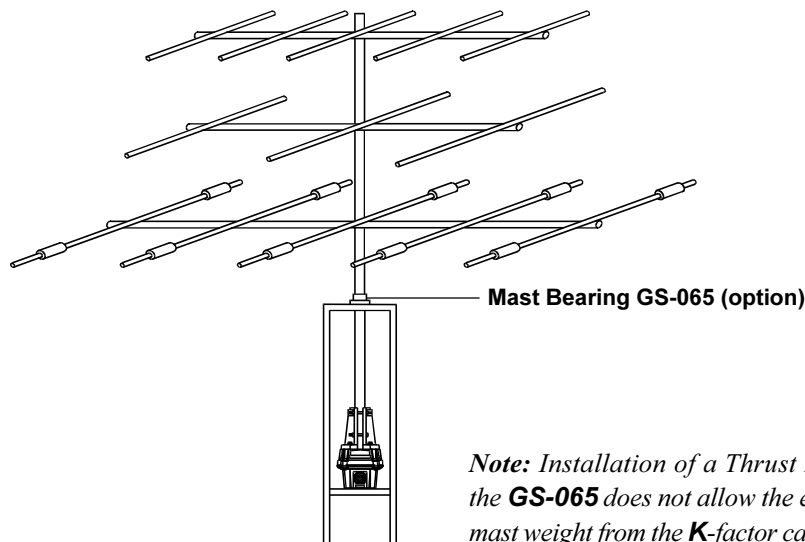
$$\begin{aligned}
 & \mathbf{K}^1 = \mathbf{K} \text{ factor of 14/21/28 MHz 5-element Yagi.} \\
 & \mathbf{K}^1 = \text{Turning Radius (5.6 m) x Weight (26 kg + 2 kg) = 156.8} \\
 & \qquad \qquad \qquad \downarrow \qquad \qquad \downarrow \\
 & \qquad \text{Antenna Weight \quad Mast Weight (6 kg/3)} \\
 \\
 & \mathbf{K}^2 = \mathbf{K} \text{ factor of 18 MHz 3-element Yagi.} \\
 & \mathbf{K}^2 = \text{Turning Radius (5.0 m) x Weight (14 kg + 2 kg) = 80} \\
 & \qquad \qquad \qquad \downarrow \qquad \qquad \downarrow \\
 & \qquad \text{Antenna Weight \quad Mast Weight (6 kg/3)} \\
 \\
 & \mathbf{K}^3 = \mathbf{K} \text{ factor of 50 MHz 5-element Yagi.} \\
 & \mathbf{K}^3 = \text{Turning Radius (2.6 m) x Weight (5 kg + 2 kg) = 18.2} \\
 & \qquad \qquad \qquad \downarrow \qquad \qquad \downarrow \\
 & \qquad \text{Antenna Weight \quad Mast Weight (6 kg/3)}
 \end{aligned}$$

$$\mathbf{K}^{\text{TOTAL}} = \mathbf{K}^1 + \mathbf{K}^2 + \mathbf{K}^3 = 156.8 + 80 + 18.2 = \mathbf{255}$$

The antenna system Wind Loading Area is: 0.7 m<sup>2</sup> + 0.7 m<sup>2</sup> + 0.3 m<sup>2</sup> = **1.7 m<sup>2</sup>**

The Wind Loading Area (**1.7 m<sup>2</sup>**) is within the specifications for both the **G-1000DXC** and **G-2800DXC**, but the net **K** factor (**255**) can only be met by the **G-2800DXC**. Therefore, the above antenna system should only be mounted using a **G-2800DXC**.

**Advice** We recommend that your antennas/mast should not exceed 60% of the maximum rating, to ensure a safety margin.

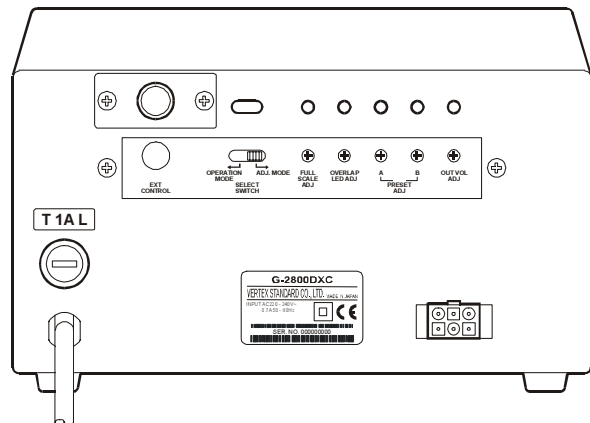


# Mounting the Rotator and Antenna

## INDOOR PERFORMANCE CHECK AND ALIGNMENT

1. Temporarily connect the rotator unit and the controller using the supplied connection cable.
2. Turn the **SPEED** control fully counter-clockwise, and set the **SELECT SWITCH** on the rear panel to the *right* (**ADJ. MODE**) position.
3. Check to be sure that the **POWER** switch on the controller is set to “OFF,” then plug the controller’s AC cable into your station’s AC outlet.
4. Set the controller’s **POWER** switch to “ON.” Verify that the controller’s pilot lights have become illuminated.
5. Press the **LEFT** (rotation) side of the seesaw switch, and continue to hold it until the rotator reaches the counter-clockwise position where it automatically stops (“Left” represents counter-clockwise rotation when the rotator is viewed from the top).
6. When the rotator has reached the left “stop” position, release the **LEFT** switch, and check to see if the controller’s indicator needle is pointing to 0° (N: North).  
If the indicator needle is out of alignment, grasp the edge of the bezel around the bearing window, turn it 10° counter-clockwise, and pull it off. Then, grasp the needle at its center and pull it straight off, replace the needle to 0° (straight up), and replace the bezel.
7. Just above the round connector jack on the rotator unit, you will observe two raised calibration marks (one each on the “rotating” bell and “fixed” base of the rotator). These two marks should be directly aligned with each other. If not, place a small piece of masking tape on the rotating bell and the fixed base of the rotator unit, and make a calibration mark will be used to verify the amount of rotation in the next step.
8. Press the **RIGHT** (rotation) side of the seesaw switch, and continue rotating to the right until the calibration marks (from step 7) are again precisely aligned. Now check the indicator needle, which should also have rotated fully 360° so as to be pointing exactly to 0°.  
If the indicator needle is not pointing exactly to 0°, go to the rear panel of the controller, and use a small screwdriver to adjust the **FULL SCALE ADJ** potentiometer (see below) so that the indicator needle points exactly to 0°.
9. Press the **RIGHT** switch again, and continue rotation to the right. You should observe the **OVERLAP** LED becoming illuminated as rotation passes the 360° point.  
If the **OVERLAP** LED does not light up at the 360° position, the **OVERLAP LED ADJ** potentiometer

- (on the rear panel of the controller) may be used to align the illumination threshold to the 360° point.
10. Check to verify that rotation automatically stops at approximately 90° (East; representing a total rotation range of 450° from the original starting point).
  11. Press the **LEFT** and **RIGHT** (rotation) switches a few more times, verifying that rotation appears to be normal. If so, press the **LEFT** or **RIGHT** (rotation) switch to set the rotator to 90° (East).
  12. Set the **PRESET** control to 0° (fully counter-clockwise), and press the **START** switch. The rotator should rotate counter-clockwise, and stop exactly at 0°.  
If not, go to the rear panel of the controller, and use a small screwdriver to adjust the **PRESET ADJ A** potentiometer so that the rotator stops at exactly 0°.
  13. Set the **PRESET** control to 90° (fully clockwise), and press the **PRESET** switch. The rotator should rotate clockwise, and stop at exactly 450° (90°; East).  
If not, go to the rear panel of the controller, use a small screwdriver to adjust the **PRESET ADJ B** potentiometer so that the rotator stops at exactly 450°.
  14. Repeat steps 12 and 13 several times until the indicator responds reliably to presetting small angles when the rotator is near both ends of its range.
  15. Set the **SELECT SWITCH** on the rear panel to the *left* (**OPERATION MODE**) position, and turn the **POWER** switch “OFF.”
  16. This completes the ground-based testing of the rotator and controller.



Controller Rear Panel

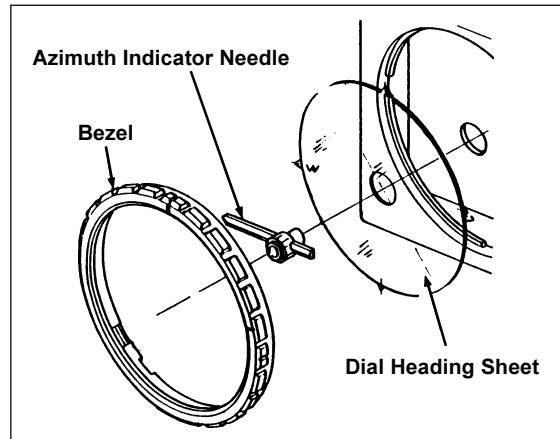
# Mounting the Rotator and Antenna

## INDOOR PERFORMANCE CHECK AND ALIGNMENT

### Installing the Dial Heading Sheet

A clear plastic round dial heading sheet is provided with the kit, which can be installed with north at any position you desire. This is particularly useful when you need to have south at the top of the dial (or east or west) instead of north. To install the heading scale:

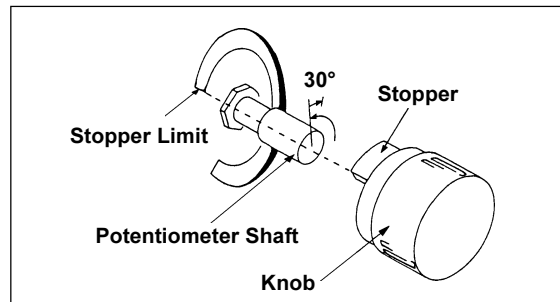
- Turn on the **POWER** switch and press the seesaw switch to set the indicator needle to  $0^\circ$  (straight up), then turn off the **POWER** switch.
- Grasp the edge of the bezel around the bearing window, turn it  $10^\circ$  counter-clockwise, and pull it off.
- Note the position of the needle, then grasp it at its center, and pull it straight off.
- Determine which compass direction you desire to be upmost, and install the compass heading label sheet against the azimuth scale, so that the small teeth in the edges of the sheet lock around the edge.
- Replace the needle and bezel in the same direction as they were before (see diagram at the right).



### PRESET Knob Calibration

Perform this procedure only if it is not possible to align the **PRESET** knob tracking using the **PRESET ADJ A** and **PRESET ADJ B** potentiometers on the rear panel, as described in steps 12 ~ 14 on the previous page.

- Pull off the **PRESET** control knob.
- Set the potentiometer shaft to the fully counter-clockwise position, then turn it  $30^\circ$  clockwise.
- Using care not to disturb the **PRESET** potentiometer, push the knob back on the shaft so that the knob stopper is aligned with the counter-clockwise edge of the slot in the panel behind the knob, as shown in the drawing to the right.
- Repeat steps 12 and 13 on the previous page for the **PRESET** Dial Tracking Alignment.



Do not forget to set the **SELECT SWITCH** on the rear panel to the *left* (**OPERATION MODE**) position after alignment.

# Mounting the Rotator and Antenna

## INSTALLATION OF THE G-1000DXC ROTATOR AND ANTENNA ON TOWER

**Important!!** Before mounting the mast to the rotator, a single hole must be drilled through the bottom of the mast to accommodate an anti-twist support bolt used in the base support clamp halves.

1. Drill a 9 mm diameter hole through both walls of the mast, centered 50 mm from the mast bottom (see Figure 1). Ensure the drill is maintained perpendicular and centered when making the holes, to ensure proper alignment of the holes in the mast with those in the base support clamp.
  2. Attach the rotator to the tower's rotator mounting plate, using the supplied M8 x 16 bolts and spring washers. It is recommended that the tips of the bolts be lightly dipped in lubricating grease, to ease disassembly in the future (see Figure 2).
  3. If a thrust bearing (such as the optional Yaesu model **GS-065**) is to be utilized, mount it on the top of the tower (see Figure 3) using the supplied hardware.
  4. Partly tighten the mast clamp ① to the rotator housing using the supplied M8 x 25 bolts ②, spring washers and flat washers (see Figure 5).
  5. Using a "gin pole" or other raising fixture, insert the antenna mast through the bearing from above, and set the mast in the rotator's mast clamps, then partly tighten the mast clamps using the supplied M8 x 70 bolts ③ and spring washer.
- Advice** One side of the clamp has ridges on either side of the bolt holes; the bolts should be inserted from this side, so the ridges hold the bolt head from turning.
6. Pass the supplied M8 x 95 screw ⑤ through the mast clamps and through the mast, then partly tighten it using the supplied square nut ⑥.
  7. Partly tighten the thrust bearing's mast bolts, so as to center the mast in the thrust bearing. When you are satisfied that the mast is centered, tighten the thrust bearing's mast bolts to secure the mast in place.
  8. Now tighten all the nuts of the mast clamp except for the square nut holding the M8 x 95 bolt through the mast clamps and mast. Leave the square nut only lightly secured at this time.

**Caution** Do not over-tighten the nuts on the mast clamps. They should be tightened until the spring washer becomes flat, then tightened further by ½ to one turn maximum.

9. Install the rotator control cable's round plug into the jack on the side of the rotator's base, and tighten the connector ring to secure the connector. Slide the rubber boot over the connector; while putting a slight amount of inward pressure on the rubber boot, use electrical tape to secure the back end of the rubber boot to the cable. This slight inward pressure on the rubber boot will enhance the weatherproofing of the installation. Secure the control cable to the tower in several places, using electrical tape and/or UV-resistant cable ties.
10. Get a ground crew member to set the controller to 0° (North), which corresponds to 180° of rotation clockwise from the left "stop" point. During rotation, watch the M8 x 95 bolt to be sure it does not bind between the mast and the mast clamps. If binding is observed, stop rotation and make slight adjustments to the thrust bearing and/or mast clamps, so as to eliminate the binding. If the M8 x 95 bolt is not binding, you can go ahead and tighten the square nut securely.
11. Provide sufficient slack in the coaxial cable such that the antenna can rotate over its full 450° range without putting any tension on the coax (see Figure 8). Secure the coax to the tower, using electrical tape and/or UV-resistant cable ties.
12. Installation is now complete. If you have scratched through the melamine coating of the rotator during installation, you may wish to apply several coats of clear acrylic spray to help protect the bare metal from corrosion. After installation is complete, test the system by operating the rotator through the entire range of its rotation. It is helpful to do so with the help of an observer, so that rotation can be stopped if some obstruction, binding, or tension on the coaxial cable's turning loop should be encountered during the performance test.

### Installation Note

If using a roof tower with a long mast between the top of the tower and the antenna, the use of a "Guy Bearing" is highly recommended. The Yaesu **GS-050** and **GS-065** include guying "ears" which allow attachment of guy cables. As installing a guying system may cause the centerlines of the guy bearing and the rotator to become mis-aligned, be certain to check the roof tower attachment and guy cable alignment to ensure that the mast is straight.

# Mounting the Rotator and Antenna

## INSTALLATION OF THE G-1000DXC ROTATOR AND ANTENNA ON TOWER

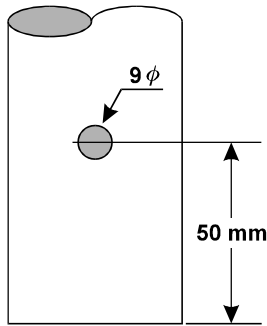


Figure 1

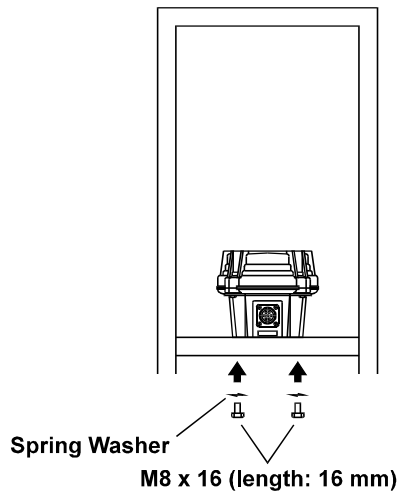


Figure 2

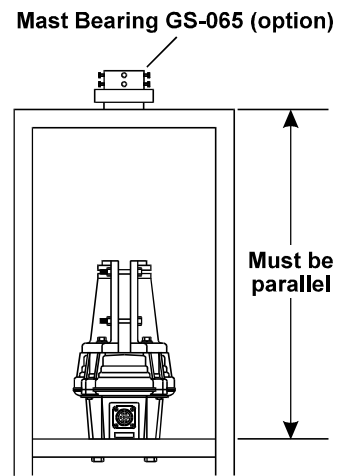


Figure 3

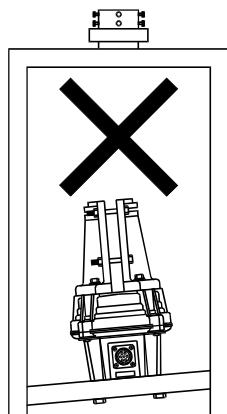


Figure 4

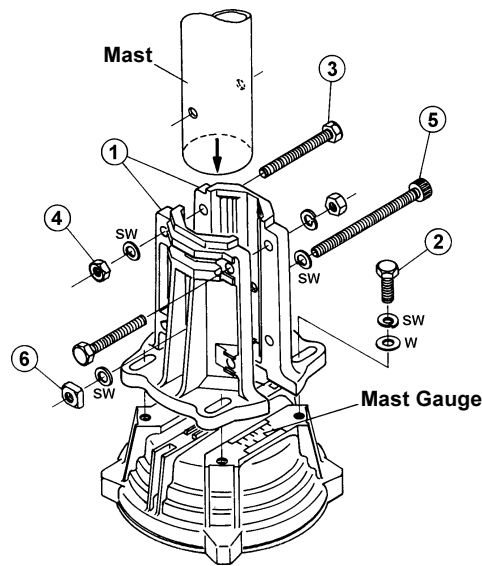


Figure 5

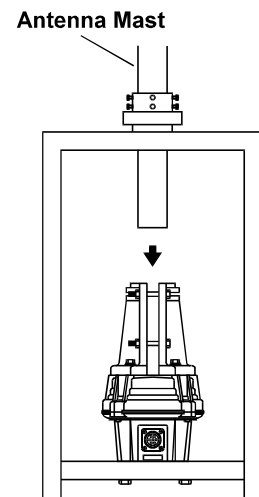


Figure 6

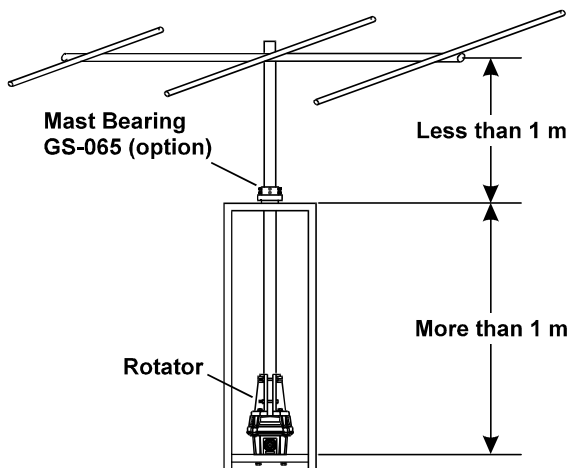


Figure 7

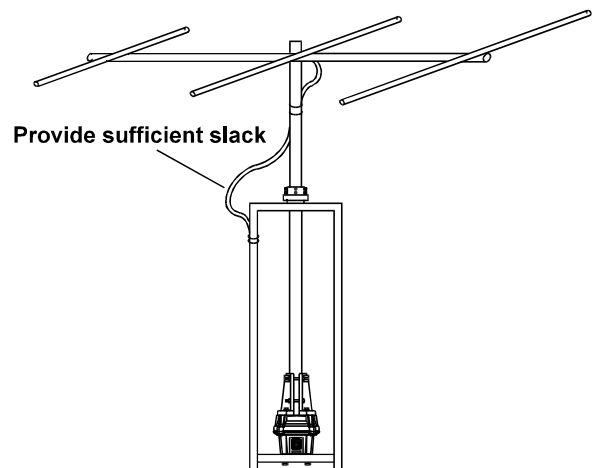


Figure 8

# Mounting the Rotator and Antenna

## INSTALLATION OF THE G-2800DXC ROTATOR AND ANTENNA ON TOWER

**Important!!** Before mounting the mast to the rotator, a single hole must be drilled through the bottom of the mast to accommodate an anti-twist support bolt used in the base support clamp halves.

1. Drill a 9 mm diameter hole through both walls of the mast, centered 82 mm from the mast bottom (see Figure 9). Ensure the drill is maintained perpendicular and centered when making the holes, to ensure proper alignment of the holes in the mast with those in the base support clamp.
  2. Attach the rotator to the tower's rotator mounting plate, using the supplied M8 x 18 bolts and spring washers. It is recommended that the tips of the bolts be lightly dipped in lubricating grease, to ease disassembly in the future (see Figure 10).
  3. If a thrust bearing (such as the optional Yaesu model **GS-065**) is to be utilized, mount it on the top of the tower (see Figure 11) using the supplied hardware.
  4. Partly tighten the mast clamp ① to the rotator housing using the supplied M8 x 30 bolts ②, spring washers and flat washers (see Figure 13).
  5. Using a "gin pole" or other raising fixture, insert the antenna mast through the bearing from above, and set the mast in the rotator's mast clamps, then partly tighten the mast clamps using the supplied M8 x 70 bolts ③, spring washers and flat washers.
- Advice** One side of the clamp has ridges on either side of the bolt holes; the bolts should be inserted from this side, so the ridges hold the bolt head from turning.
6. Pass the supplied M8 x 95 screw ⑤ through the mast clamps and through the mast, then partly tighten it using the supplied nut ⑥.
  7. Partly tighten the thrust bearing's mast bolts, so as to center the mast in the thrust bearing. When you are satisfied that the mast is centered, tighten the thrust bearing's mast bolts to secure the mast in place.
  8. Now tighten all the nuts of the mast clamp except for the nut holding the M8 x 95 bolt through the mast clamps and mast. Leave this nut only lightly secured at this time.

**Caution** Do not over-tighten the nuts on the mast clamps. They should be tightened until the spring washer becomes flat, then tightened further by ½ to one turn maximum.

9. Install the rotator control cable's round plug into the jack on the side of the rotator's base, and tighten the connector ring to secure the connector. Slide the rubber boot over the connector; while putting a slight amount of inward pressure on the rubber boot, use electrical tape to secure the back end of the rubber boot to the cable. This slight inward pressure on the rubber boot will enhance the weatherproofing of the installation. Secure the control cable to the tower in several places, using electrical tape and/or UV-resistant cable ties.
10. Get a ground crew member to set the controller to 0° (North), which corresponds to 180° of rotation clockwise from the left "stop" point. During rotation, watch the M8 x 95 bolt to be sure it does not bind between the mast and the mast clamps. If binding is observed, stop rotation and make slight adjustments to the thrust bearing and/or mast clamps, so as to eliminate the binding. If the M8 x 95 bolt is not binding, you can go ahead and tighten the nut securely.
11. Provide sufficient slack in the coaxial cable such that the antenna can rotate over its full 450° range without putting any tension on the coax (see Figure 16). Secure the coax to the tower, using electrical tape and/or UV-resistant cable ties.
12. Installation is now complete. If you have scratched through the melamine coating of the rotator during installation, you may wish to apply several coats of clear acrylic spray to help protect the bare metal from corrosion. After installation is complete, test the system by operating the rotator through the entire range of its rotation. It is helpful to do so with the help of an observer, so that rotation can be stopped if some obstruction, binding, or tension on the coaxial cable's turning loop should be encountered during the performance test.

### Installation Note

If using a roof tower with a long mast between the top of the tower and the antenna, the use of a "Guy Bearing" is highly recommended. The Yaesu **GS-050** and **GS-065** include guying "ears" which allow attachment of guy cables. As installing a guying system may cause the centerlines of the guy bearing and the rotator to become mis-aligned, be certain to check the roof tower attachment and guy cable alignment to ensure that the mast is straight.

# Mounting the Rotator and Antenna

## INSTALLATION OF THE G-2800DXC ROTATOR AND ANTENNA ON TOWER

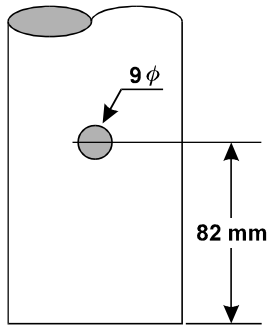


Figure 9

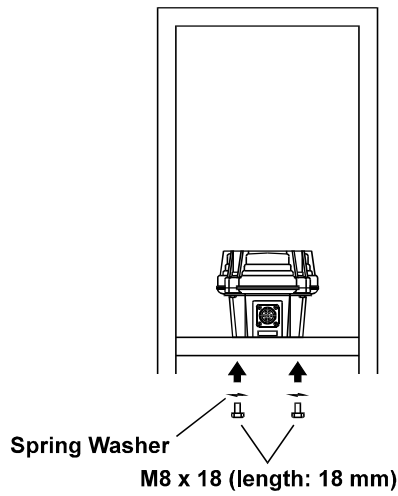


Figure 10

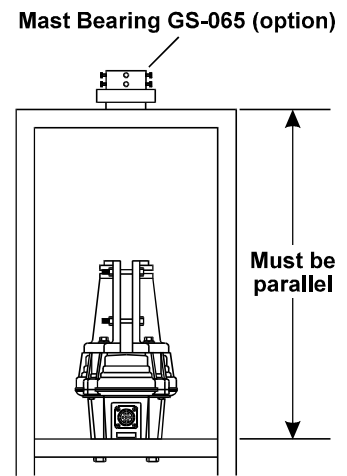


Figure 11

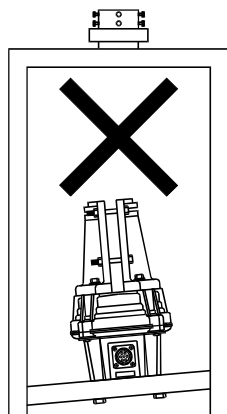


Figure 12

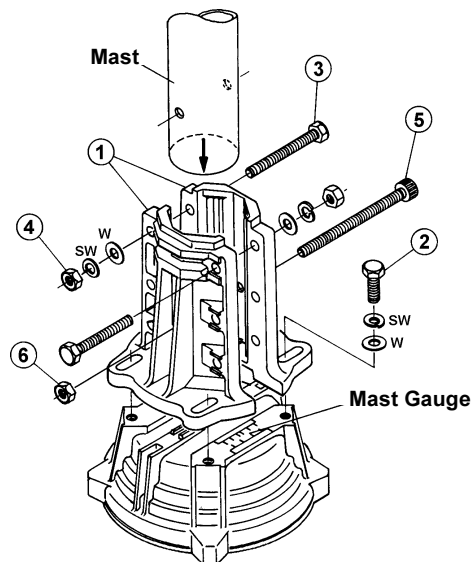


Figure 13

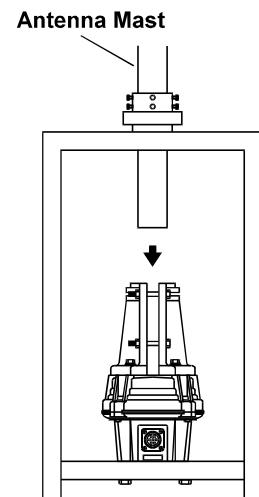


Figure 14

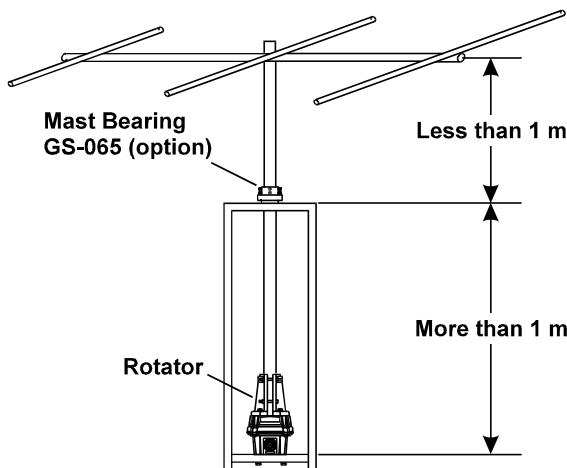


Figure 15

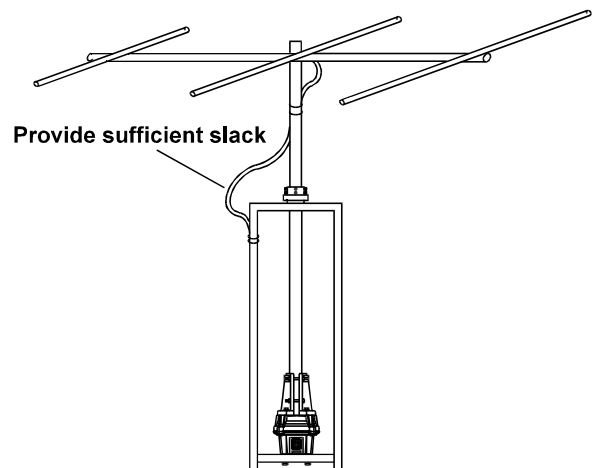


Figure 16

# Important !

---

The installation of a rotatable antenna on a tower system is a dangerous and potentially life-threatening task, if due care is not taken.

A tower must never be installed in a position where it could fall across power distribution cables in the event of a catastrophic tower failure during a windstorm or earthquake.

The control cable attached to this rotator could, in the event of a nearby or direct lightning strike, carry lethal voltages down the cable and into your home. Yaesu strongly recommends the installation of suitable lightning arrestors on all control cables and coaxial lead-in cables from your antenna installation. See your dealer for details of available lightning-protection devices.

If an electrical storm should be reported in your area,



# Specifications

quickly unplug the control cable from the rear of the rotator's controller box, and disconnect the AC cable from the wall outlet. Disconnect the coaxial cable(s) from the antenna(s) as well. *Do this only if the lightning is not in your immediate area, as you could be killed instantly if lightning should strike while you are holding a cable.*

If you have any doubts about your ability to install this rotator safely, enlist the services of a professional antenna installation company.

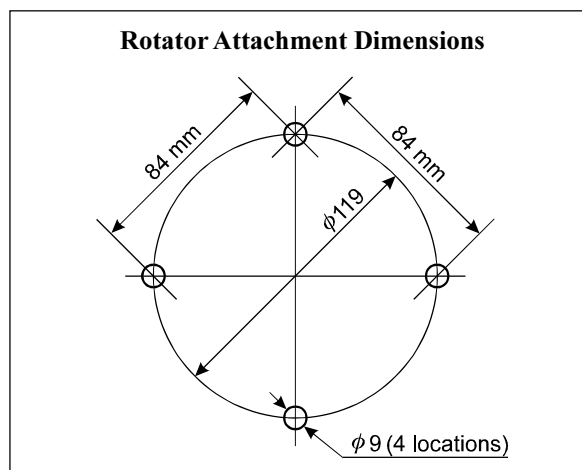
	<b>G-1000DXC</b>	<b>G-2800DXC</b>
<b>Power Supply Voltage:</b>	220 – 240 VAC, 50 – 60 Hz	220 – 240 VAC, 50 – 60 Hz
<b>Power Supply Current Consumption:</b>	0.5 A	0.7 A
<b>Rotor Voltage:</b>	11 – 24 VDC	11 – 24 VDC
<b>360° Rotation Time (Non Loaded):</b>	100 ± 10 sec to 40 ± 5 sec (Variable)	120 ± 10 sec to 50 ± 5 sec (Variable)
<b>Rotation Range:</b>	450° ± 3°	450° ± 3°
<b>Rotation Torque (@230 VAC):</b>	600 to 1,100 kgf-cm	800 to 2,500 kgf-cm
<b>Braking Torque:</b>	6,000 kgf-cm	25,000 kgf-cm
<b>Maximum Vertical Load:</b>	200 kg or less (continuous) 800 kg (momentary)	300 kg or less (continuous) 1,200 kg (momentary)
<b>Mast Outside Diameter:</b>	φ38 to φ63	φ48 to φ63
<b>Braking Type:</b>	Mechanical and Electrical stoppers	Mechanical and Electrical stoppers
<b>Antenna K Coefficient:</b>	230 or less	950 or less
<b>Wind Loading Area:</b>	0.75 m <sup>2</sup> x 0.6 m or less (Pole Type) 2.2 m <sup>2</sup> or less (Tower Type)	1 m <sup>2</sup> x 0.8 m or less (Pole Type) 3 m <sup>2</sup> or less (Tower Type)
<b>Maximum Continuous Duty:</b>	3 minutes	3 minutes
<b>Operating Temperature Range:</b>	0 °C to +40 °C (Controller) –20 °C to +40 °C (Rotator)	0 °C to +40 °C (Controller) –20 °C to +40 °C (Rotator)
<b>Rotator Dimensions:</b>	φ186 x 300 mm	φ200 x 345 mm
<b>Rotator Weight:</b>	Approx. 3.6 kg	Approx. 6.5 kg
<b>Controller Dimensions:</b>	200 (W) x 130 (H) x 193 (D) mm	200 (W) x 130 (H) x 193 (D) mm
<b>Controller Weight:</b>	Approx. 2.8 kg	Approx. 3.8 kg

This equipment complies with the following standard:

EMC Directive 89/336/EEC: EN50081-1 & EN50082-1

LVD 73/23 EEC: EN60065

*Specifications are subject to change without notice.*



# Accessories & Options

## UNPACKING & INSPECTION

When unpacking the rotator make sure you find the following items:

<b>G-1000DXC</b>	<b>QUANTITY</b>	<b>G-2800DXC</b>	<b>QUANTITY</b>
Controller Unit	1	Controller Unit	1
Rotor Unit	1	Rotor Unit	1
Mast Clamp	1 pair	Mast Clamp	1 pair
Connection Cable (25m, 6 core cable)	1	Connection Cable (40m, 6 core cable)	1
M8 x 95 mm Socket Head Cap Screw	1	M8 x 95 mm Socket Head Cap Screw	1
M8 x 16 mm Hex Bolts	4	M8 x 18 mm Hex Bolts	4
M8 x 25 mm Hex Bolts	4	M8 x 30 mm Hex Bolts	4
M8 x 70 mm Hex Bolts	4	M8 x 70 mm Hex Bolts	6
Split Washers	14	Split Washers	14
Flat Washers	4	Flat Washers	10
M8 Nuts	4	M8 Nuts	7
Square Nut	1	Spare Fuse	1 (1A)
Spare Fuse	1 (1A)	Plastic Dial Heading Sheet	1
Plastic Dial Heading Sheet	1		

*If any of these items are missing or damaged, save the packing material and notify the shipping company (or the shop where you bought it).*

## OPTIONAL ACCESSORIES

<b>GC-038</b>	Mast Clamp (for the <b>G-1000DXC</b> )
<b>GC-048</b>	Mast Clamp (for the <b>G-2800DXC</b> )
<b>GS-050</b>	Universal Thrust Bearing (for 50 mm mast)
<b>GS-065</b>	Universal Thrust Bearing (for 65 mm mast)
<b>GS-232A</b>	Computer Control Unit (RS-232C Serial)
<b>G-40MWP</b>	Control Cable (40 m: for the <b>G-1000DXC</b> )
<b>GA-2500</b>	Absorber Joint (for the <b>G-1000DXC</b> )
<b>GA-3000</b>	Absorber Joint (for the <b>G-2800DXC</b> )



# Rotador y Controlador de Antena Para Servicio Pesado, Modelos **G-1000DXC** y **G-2800DXC**

Las unidades de control **G-1000DXC** y **G-2800DXC** de Yaesu están proyectadas para orientar a distancia sistemas de antenas amateur y profesionales de gran tamaño montados sobre torres desde el lugar donde se encuentra emplazada la estación. El diseño del rotador semejante al de una concha de almeja emplea 100 rodamientos circulares dobles de 7/16 pulgadas para distribuir la carga por todo el diámetro de la caja. Este diseño minimiza el esfuerzo y el desgaste de material, y prácticamente elimina los eventuales efectos destructivos del agua: no existe un agujero para el eje en la parte superior de la cubierta del referido aparato.

En lugar del sistema de accionamiento por motor de CA utilizado en los modelos de rotador más antiguos, el **G-1000DXC** y el **G-2800DXC** vienen equipados con un motor de CC de voltaje variable, eliminando de esta forma la necesidad de un condensador de arranque grande y sus posibles fallas al ser expuesto a los cambios de temperatura atmosférica. La unidad de rotador que viene lubricada de fábrica se aloja en una caja de aluminio fundido a presión cubierta de resina de melamina, a fin de garantizar el servicio ininterrumpido de la misma cualquiera sean las condiciones climáticas preponderantes en cada lugar en particular. Un calibrador para mástil en la cubierta del rotador ayuda a definir la alineación mecánica exacta durante la instalación.

El atractivo controlador de mesa armoniza perfectamente con el diseño de los transeptores más modernos, el cual incluye la lectura radial de 360° del acimut real de la antena. El usuario puede escoger velocidades de rotación que oscilan entre 40 y 100 segundos por giro (360°) (**G-1000DXC**, **G-2800DXC**: de 50 a 120 segundos por giro (360°)), además de fijar una trayectoria de interés para el rotador, en cuya dirección éste ha de volverse posteriormente en forma automática.

En el modelo **G-2800DX**, cuando se selecciona la velocidad de rotación rápida, las funciones especiales

de “partida” y “parada automática lenta” evitan que se produzcan sacudidas bruscas en la torre al igual que en la estructura de antena múltiple. Al activar el rotador, dicha estructura comienza a girar a velocidad reducida. A medida que la antena se acerca al punto deseado, la velocidad de rotación disminuye automáticamente antes de detener la estructura con suavidad al final de su recorrido. El operador puede seleccionar el acimut límite (la posición angular más allá de la cual el rotador no se puede girar) que mejor le acomode dependiendo de su ubicación y finalidad, lo cual le permite -si así lo desea- realizar una rotación completa en dirección norte, sur o en ambos sentidos a la vez. En todo caso, una rotación superpuesta de 90° le permite realizar un giro a través del acimut límite seleccionado (cuya rotación total es de 450°).

El rotador está proyectado para ser instalado en el interior de una torre de soporte (la cual no viene incluida), por lo menos a 1 metro del tope, con un cojinete de empuje alternativo (modelo **GS-680U** de Yaesu) en la parte de arriba. Este conjunto incluye una abrazadera para mástil y las piezas metálicas necesarias, además de conectores machos para el rotador y el controlador respectivamente, con el objeto de hacer más fácil la instalación y manutención del aparato. El Cable de Control **G-40MWP** de 40 metros de longitud es optativo.

La Unidad de Control por Computadora **GS-232A** se vende aparte para ser instalada en el controlador, la cual le permite orientar la antena haciendo uso de una computadora personal unida a una interconexión serial RS-232.

Antes de montar el rotador, haga el favor de leer este manual con atención, a fin de que pueda familiarizarse con los procedimientos requeridos y también para cerciorarse de que cuenta con todos los materiales que necesita para su instalación.

# Utilización Correcta y Segura del Equipo

## Significado de los Símbolos



### Advertencia

denota que al no seguir las instrucciones relacionadas, podría causar la muerte o heridas graves al operador.



### Precaución

denota que al no seguir las instrucciones relacionadas, podría causar heridas o lesiones operador.

## Significado de los Símbolos en los Diagramas



Indica que siempre se deben seguir las instrucciones relacionadas a fin de garantizar el debido funcionamiento del equipo.



Denota procedimientos poco seguros que jamás deben ser ejecutados.



## Advertencia



**Haga el favor de leer de principio a fin el presente manual del usuario, de modo que pueda familiarizarse con el debido procedimiento de instalación antes de comenzar a montar el equipo.**

La instalación de este producto requiere que se realicen trabajos en altura. El usuario, al ejecutar trabajos con los que no está familiarizado, puede correr el riesgo de sufrir accidentes fatales a causa de caídas durante la instalación.

Del mismo modo, el hecho de no instalar debidamente el producto puede hacer que la antena y el equipo relacionado terminen por derrumbarse, ocasionando por ende accidentes fatales, como también la destrucción de viviendas u otros daños materiales.

Por consiguiente, antes de empezar a trabajar lea todas las pautas relativas a la seguridad.



**Verifique que la dimensión de la antena asociada a este producto coincida con las especificaciones incluidas en el manual.**

El hecho de instalar una antena más grande que la estipulada en las especificaciones puede hacer que dicha antena y el equipo relacionado terminen por derrumbarse, ocasionando por ende accidentes fatales, como también la destrucción de viviendas u otros daños materiales.



**Cuando trabaje en altura, asegúrese de que no hayan personas transitando a nivel del suelo.**

Si se caen herramientas, pernos u otras piezas podrían ocasionar la muerte o lesiones graves a las personas.



**Use siempre un arnés de seguridad cuando trabaje en altura.**

Si no utiliza un arnés de seguridad, el usuario podría lesionarse gravemente o incluso perder la vida al hacer la instalación.



**Cerciórese de que los pernos y demás fiadores utilizados en la instalación queden debidamente ajustados.**



El hecho de no apretar bien los pernos y demás fiadores puede hacer que la antena y el equipo relacionado terminen por derrumbarse, ocasionando por ende accidentes fatales, como también la destrucción de viviendas u otros daños materiales.




**Jamás desarme ni modifique esta unidad.**




# Utilización Correcta y Segura del Equipo




## Precaución








-  **Cuando instale este producto, tenga cuidado de no apretarse los dedos entre las piezas ni de cortárselos con los bordes de éstas.**
-  **Si la condición del equipo no es normal, como sería la emisión de humo o un olor poco usual, el hecho de continuar usándolo en ese estado podría provocar un incendio o desperfectos en el interior de la unidad.**


En tales circunstancias, apague inmediatamente el equipo y retire el conector del enchufe de alimentación.

Después de comprobar que el equipo ha dejado de emitir humo o el olor poco usual, devuélvale el producto al vendedor o diríjase a la oficina de Yaesu Musen más cercana o en su defecto, al centro de servicio técnico para su reparación.
-  **En caso de que cuerpos extraños cayeran dentro del controlador, apague el equipo de inmediato y retire el conector del enchufe de alimentación.**

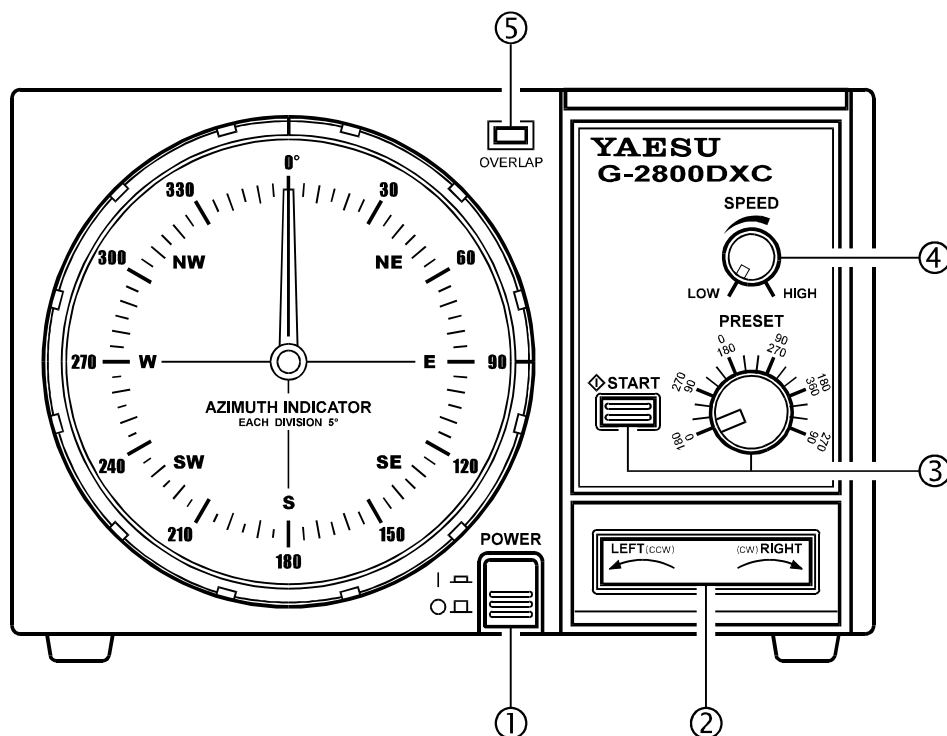
Si continúa usando el producto en esas condiciones podría provocar un incendio o desperfectos dentro de la unidad.
-  **Jamás use el producto con una tensión de alimentación distinta a la especificada, puesto que de lo contrario corre el riesgo de provocar un incendio o electrochoques en el interior de la unidad.**
-  **Si no se ha de utilizar el producto por un período de tiempo prolongado, saque el cable de alimentación del enchufe por razones de seguridad.**
-  **No haga funcionar el equipo por más de 3 minutos seguidos.**

El equipo puede funcionar por periodos de hasta 5 minutos a la vez, pero es necesario hacer una pausa y dejar que el motor descanse por lo menos durante los 15 minutos siguientes.
-  **En el interior del rotador ni el controlador existen piezas que puedan ser reparadas por el usuario; por consiguiente nunca abra estas unidades.**
-  **No coloque el controlador en un lugar inestable, como sería el caso de una superficie frágil o inclinada, debido a que el aparato podría volcarse o caerse y lesionar a alguna persona accidentalmente.**
-  **No coloque objetos pesados sobre el cordón de alimentación, tampoco doble ni estire demasiado el cable.**

Si se daña el cable de alimentación puede provocar un incendio o desperfectos dentro de la unidad.
-  **No coloque el controlador a la luz directa del sol ni cerca de calefactores, puesto que se podría deformar o descolorar la caja.**
-  **No coloque el controlador en ambientes húmedos ni polvorientos, ya que esto puede ocasionar incendios o desperfectos dentro de la unidad.**
-  **No coloque el controlador en lugares encerrados o mal ventilados como una repisa por ejemplo, ya que lo anterior podría originar incendios o fallas dentro de la unidad.**
-  **No coloque el controlador sobre una alfombra o ropa de cama, debido a que el calor podría acumularse internamente originando un incendio.**
-  **No coloque objetos pesados sobre el controlador, puesto que el aparato podría caerse o voltearse y lesionar a alguna persona accidentalmente.**
-  **No coloque objetos de metal pequeños como clips para papel sobre el controlador, ya que éstos pueden caer dentro de la unidad y provocar incendios o averías en el interior del aparato.**
-  **No limpie el controlador con solventes tales como diluyentes o bencina, puesto esas sustancias podrían deformar o descolorar la caja.**

Para limpiar el controlador, frótelo suavemente con un paño húmedo y detergente neutro, y remueva a continuación el producto utilizando un paño seco.
-  **Nunca conecte la fuente de alimentación hasta no haber completado primero la instalación del rotador y el controlador.**

# Panel Frontal del Controlador



## ① Interruptor de Encendido “POWER”

Oprima este interruptor para encender el controlador y hacer girar la antena. Apáguelo cuando no esté utilizando el rotador.

## ② Interruptor de Vaivén **IZQUIERDO/DERECHO**

Oprima el costado izquierdo (“LEFT”) de este interruptor para hacer girar la antena en dirección contraria a la marcha del reloj. Oprima el costado derecho (“RIGHT”) cuando quiera orientar la antena en sentido horario.

## ③ Control de **AJUSTE PRELIMINAR** e

### Interruptor de **ARRANQUE**

Coloque el control de **AJUSTE PRELIMINAR** en la trayectoria de la antena deseada de acuerdo con la escala angular *interior* (0 ~ 90) situada alrededor de dicho control y posteriormente oprima el interruptor de **ARRANQUE** con el objeto de activar la rotación automática en la dirección determinada. El usuario puede oprimir el Interruptor de Vaivén **IZQUIERDO/DERECHO** para abortar la función de ajuste previo.

**Nota:** Si cambia la posición de partida del rotador a 180° (S: Sur), entonces coloque el control de **AJUSTE PRELIMINAR** en la trayectoria de la antena deseada de acuerdo con la escala angular *exterior* (180 ~ 270) situada alrededor de dicho control.

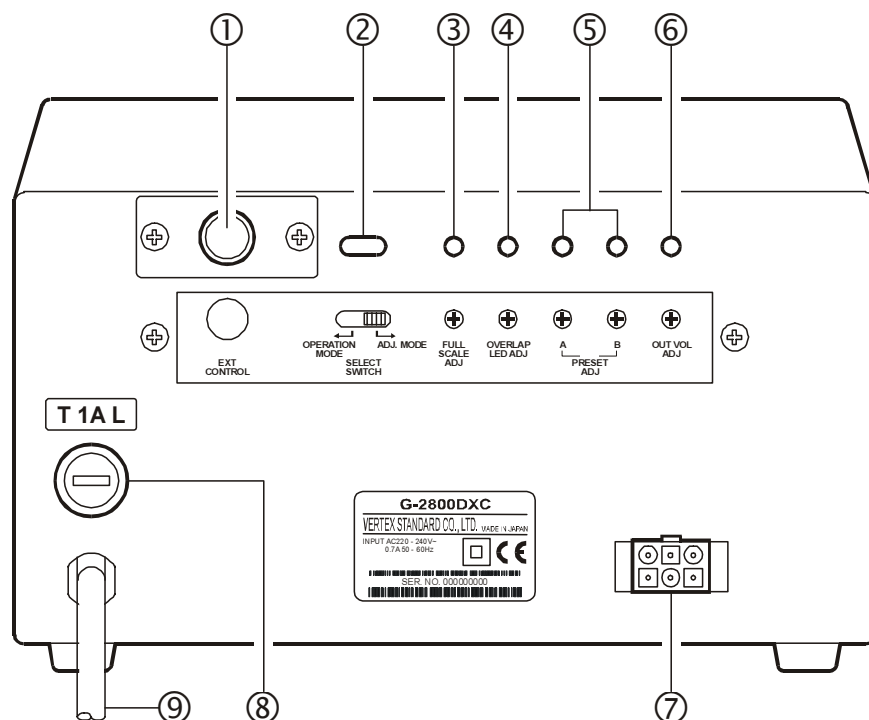
## ④ Control de **VELOCIDAD**

Ajuste el referido control para definir la velocidad de rotación deseada, entre 30 y 100 segundos aproximadamente por cada giro de 360°.

## ⑤ Indicador de **SUPERPOSICIÓN**

Este indicador LED de color rojo se ilumina cuando se hace girar la antena más allá de los 360° aproximadamente (hasta 450°), a contar de su última posición de la izquierda. Revise este indicador antes de orientar la antena en sentido horario y si dicha luz estuviera encendida, gírela a la izquierda hasta dejarla ajustada en la posición deseada.

# Panel Posterior del Controlador



## ① Conector de **CONTROL EXTERNO**

Este minienchufe DIN de 6 alfileres de contacto se utiliza para conectar la Unidad de Control Mediante Computadora **GS-232A**.

## ② **CONMUTADOR DE SELECCIÓN**

Coloque el conmutador en el "**MODO DE AJUSTE (ADJ)**" cuando se disponga a calibrar los elementos internos del controlador. No obstante, coloque el referido conmutador en el "**MODO DE OPERACIÓN**" durante la utilización normal del equipo.

## ③ Potenciómetro de **AJUSTE DE PLENA ESCALA**

Este control sirve para calibrar el ángulo (radio) de rotación máximo correspondiente a la aguja acimutal, a fin de que coincida con el ángulo máximo del rotador.

## ④ Potenciómetro de

### **AJUSTE DEL INDICADOR DE SUPERPOSICIÓN**

Este control se utiliza para calibrar el Indicador de **SUPERPOSICIÓN** de modo que coincida con el ángulo acimutal de la aguja.

## ⑤ Potenciómetros de

### **AJUSTE PRELIMINAR (A & B)**

Estos controles sirven para calibrar el ángulo perteneciente al control de **AJUSTE PRELIMINAR** del panel frontal, a fin de que coincida con el de la aguja acimutal. El Potenciómetro **A** debe quedar ajustado exclusivamente alrededor de la posición correspondiente a 0° y el **B**, próximo a los 450°.

## ⑥ Potenciómetro de

### **AJUSTE DE VOLTAJE DE SALIDA**

Este control define la gama de tensiones en el cuarto alfiler de conexión del Miniconector DIN de 6 alfileres para **CONTROL EXTERNO**, a fin de calibrar el convertidor de A a C en la Unidad de Control por Computadora (optativa) modelo **GS-232A**.

## ⑦ Conector para el Cable de Control del Rotador

En este enchufe de 6 alfileres de contacto se conecta el cable de control proveniente del rotador que se suministra con dicho aparato.

## ⑧ Portafusible

En este portafusible se debe instalar un fusible de 1-A para tensión alterna entre 220 y 240 V. Si se funde el fusible, cámbielo por otro de la misma capacidad. Diríjase al distribuidor Yaesu para adquirir el repuesto apropiado.

## ⑨ Cable de CA

Conecte este cable a la salida de alterna de 200 ~240V de la pared.

# Consideraciones Pertinentes a la Antena

Los tipos de antenas que se pueden conectar a este producto difieren considerablemente entre sí, lo cual depende del método de instalación, de las características del terreno y de la velocidad máxima del viento de cada lugar en particular.

En las páginas a continuación se describen los tipos de antena de uso más corriente que es posible instalar en el controlador **G-1000DXC** o **G-2800DXC**. En la siguiente exposición se presume que la velocidad del viento es de 30 metros por segundo, por lo que se recomienda *incluir un margen de seguridad no inferior a un 30%, a fin de soportar ráfagas de mayor intensidad o cualquier otro factor que potencialmente podría menoscabar su instalación.*

## ANTENAS MONTADAS EN POSTE

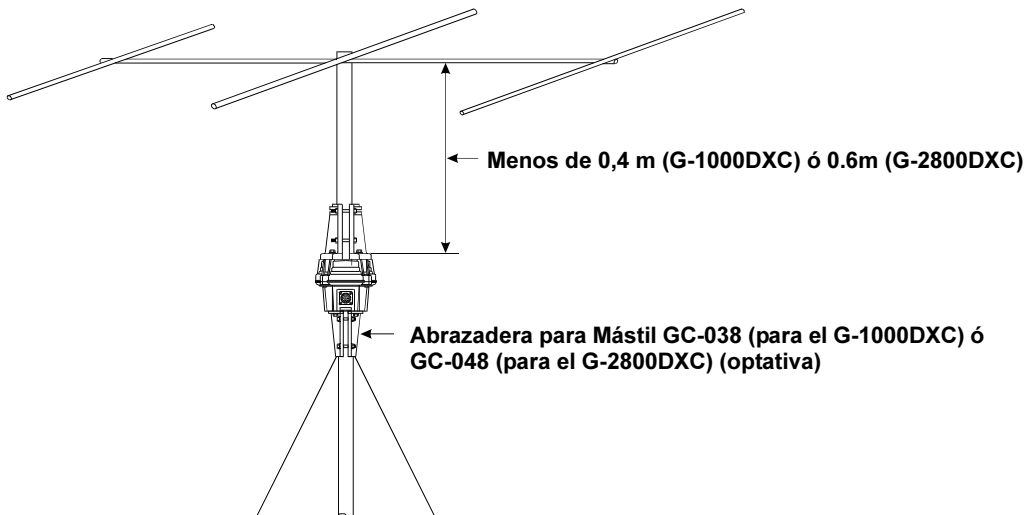
Al instalar el rotador sobre un poste o mástil, se produce una corrección significativa del tamaño de la antena que puede ser montada, debido a la tremenda fuerza de torsión que se le aplica a las abrazaderas del referido rotador. Para el montaje en poste, el producto de multiplicar la [Superficie de Carga del Viento sobre la Antena (en m<sup>2</sup>)] por la [Altura del Mástil (en m)] debe ser inferior a **0,45** (para el **G-1000DXC**) ó **0,8** (en el caso del **G-2800DXC**). Refiérase a la tabla y a la ilustración que se presentan más adelante para ver los detalles relativos al tema.

$$[\text{Superficie de Carga del Viento sobre la Antena}] \times [\text{Altura del Mástil}] = \mathbf{0,45 \text{ (G-1000DXC)}} \\ \mathbf{0,8 \text{ (G-2800DXC)}}$$

Lea la hoja de especificaciones del fabricante para determinar el peso al igual que el área de superficie correspondiente a la antena que pretende instalar.

**Ejemplo** En el caso de una Yagi de 3 elementos para 14 MHz con un área de Superficie de 0,7 m<sup>2</sup> (vea la tabla 1), las especificaciones anteriores para montaje en poste sí se cumplen si instala dicha antena en un mástil de no más de 0,4 metro (0,7 m<sup>2</sup> x 0,5 m = **0,28** = **0,28** [0,45 x 40% margen de seguridad]: **G-1000DXC**) ó 0,6 metro de longitud (0,7 m<sup>2</sup> x 0,6 m = **0,42** < **0,48** [0,8 x 40% margen de seguridad]: **G-2800DXC**).

**Recomendación:** Es aconsejable que ni las antenas ni el mástil excedan el 60 % de su capacidad máxima, a fin de garantizar la existencia de un margen de seguridad en la instalación.



Modelo de una Antena Yagi de 3 Elementos para la Banda de 14 MHz

### Superficies de Carga del Viento Para Antenas Comunes (Típicas)

Banda (MHz)	Elementos	Superficie (m <sup>2</sup> )	Banda (MHz)	Elementos	Superficie (m <sup>2</sup> )	Banda (MHz)	Elementos	Superficie (m <sup>2</sup> )
7	2 elementos	2.2	28	3 elementos	0.3	50	4 elementos	0.25
7	1 elemento con bobinas de carga	0.2	28	4 elementos	0.42	50	5 elementos	0.3
7	2 elementos con bobinas de carga	0.6	28	5 elementos	0.6	50	6 elementos	0.37
7	3 elementos con bobinas de carga	1.1	28	2 elementos, Cuadrangular Suiza	0.3	50	2 elementos, Cuadrangular Suiza	0.3
14	3 elementos	0.7	7/14	3 elementos, concatenados	0.5	144	10 elementos	0.2
14	4 elementos	1.2	7/14	4 elementos, concatenados	0.8	144	10 elementos, superpuestos	0.44
14	5 elementos	1.7	14/21	3 elementos, concatenados	0.4	144	10 element, x 4	0.95
21	3 elementos	0.45	14/21	4 elementos, concatenados	0.5	144	10 element, x 4 x 2	2.0
21	4 elementos	0.6	21/28	3 elementos, concatenados	0.3	430	12 element	0.06
21	5 elementos	0.8	21/28	4 elementos, concatenados	0.4	430	12 element, superpuestos	0.12
21	6 elementos	1.3	14/21/28	3 elementos, concatenados	0.4	430	12 element, x 4	0.3
21	2 elementos, Cuadrangular Suiza	0.3	14/21/28	4 elementos, concatenados	0.5	430	12 element, x 4 x 2	0.6



# Consideraciones Pertinentes a la Antena

## ANTENAS MONTADAS EN TORRE

En la configuración de montaje en torre de mayor preferencia, la Superficie de Carga del Viento debe ser inferior a **2,2 m<sup>2</sup> (G-1000DXC)** ó **3 m<sup>2</sup> (G-2800DXC)**, mientras que el factor “**K**” (ver a continuación) no debe superar los **230 (G-1000DXC)** ó **950 (G-2800DXC)**, en donde  $K = [\text{Radio de Sintonización de la Antena (m)}] \times [\text{Antena} + \text{Peso del Mástil (kg)}]$ .

Lea la hoja de especificaciones del fabricante para determinar el radio de sintonización al igual que el peso de la antena que va a instalar.

**Ejemplo** En este ejemplo, superponga las siguientes antenas en un mástil de 6 kg.

- (1) Yagi de 5 elementos para 14/21/28 MHz con 5,6 m de Radio de Sintonía, Peso de 26 kg y una Superficie de área de 0,7 m<sup>2</sup>.
- (2) Yagi de 3 elementos para 18 MHz con 5,0 m de Radio de Sintonía, Peso de 14 kg y una Superficie de área de 0,7 m<sup>2</sup>.
- (3) Yagi de 5 elementos para 50 MHz con 2,6 m de Radio de Sintonía, Peso de 4,5 kg y una Superficie de área de 0,3 m<sup>2</sup>.

**Nota:** En el caso de las instalaciones configuradas en “Espina de Pescado”, calcule el peso del mástil independientemente para cada antena, utilizando las altitudes relativas de cada una para distribuir el peso del mástil.

El factor **K** del sistema de antenas, por consiguiente, equivale a la suma de los tres factores **K**:

$K^1 = \text{Factor K de una Yagi de 5 elementos para 14/21/28 MHz.}$

$K^1 = \text{Radio de Sintonía (5,6 m) x Peso (26 kg + 2 kg) = 156,8}$

↓                      ↓  
Peso de la Antena    Peso del Mástil (6 kg/3)

$K^2 = \text{Factor K de una Yagi de 3 elementos para 18 MHz.}$

$K^2 = \text{Radio de Sintonía (5,0 m) x Peso (14 kg + 2 kg) = 80}$

↓                      ↓  
Peso de la Antena    Peso del Mástil (6 kg/3)

$K^3 = \text{Factor K de una Yagi de 5 elementos para 50 MHz.}$

$K^3 = \text{Radio de Sintonía (2,6 m) x Peso (5 kg + 2 kg) = 18,2}$

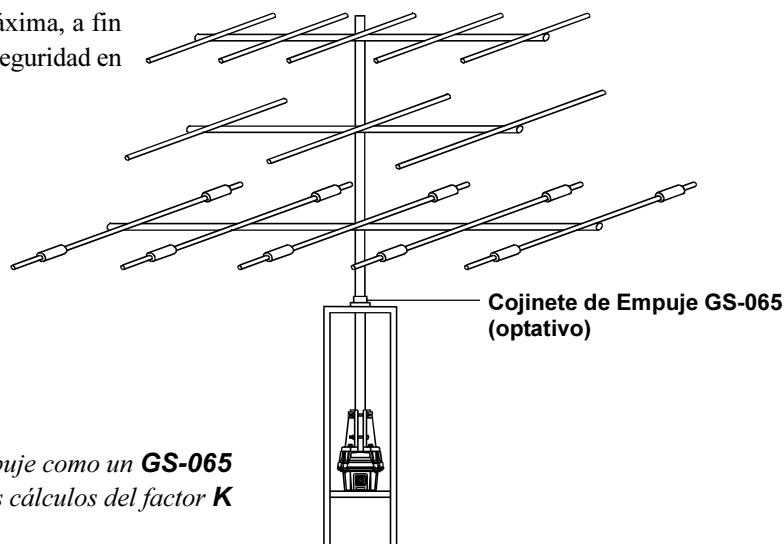
↓                      ↓  
Peso de la Antena    Peso del Mástil (6 kg/3)

$K^{\text{TOTAL}} = K^1 + K^2 + K^3 = 156,8 + 80 + 18,2 = \mathbf{255}$

La Superficie de Carga del Viento para el sistema de antena es de:  $0,7 \text{ m}^2 + 0,7 \text{ m}^2 + 0,3 \text{ m}^2 = \mathbf{1,7 \text{ m}^2}$

La Superficie de Carga del Viento (**1,7 m<sup>2</sup>**) cumple tanto con las especificaciones del rotador **G-1000DXC** como con las del **G-2800DXC**; sin embargo, el factor **K** neto (**255**) sólo puede ser alcanzado por el segundo de ellos. Por consiguiente, el sistema de antena que acabamos de describir se debe instalar únicamente utilizando el rotador **G-2800DXC**.

**Recomendación:** Es aconsejable que ni las antenas ni el mástil excedan el 60 % de su capacidad máxima, a fin de garantizar la existencia de un margen de seguridad en la instalación.



**Nota:** La instalación de un Cojinete de Empuje como un **GS-065** no permite eliminar el peso del mástil de los cálculos del factor **K** que se realizaron anteriormente en la hoja.

# Instalación del Rotador y la Antena

## ALINEACIÓN Y PRUEBA DE LA UNIDAD EN EL INTERIOR

Español

1. Conecte temporalmente la unidad del rotador y el controlador con el cable de enlace que se suministra con el equipo.
2. Gire el control de **VELOCIDAD** hasta la última posición de la izquierda y coloque el **INTERRUPTOR DE SELECCIÓN** ubicado en el panel posterior en la regulación de la **derecha** (correspondiente al **MODO DE AJUSTE**).
3. Revise que el interruptor de **ENCENDIDO** del controlador esté en la posición de desconexión (“oFF”) e inserte posteriormente el cable en el tomacorriente de alterna de su estación.
4. A continuación, coloque el interruptor de **ENCENDIDO** del controlador en la posición de conexión (“ON”) y cerciórese de que se hayan iluminado las luces piloto del equipo.
5. Oprima el extremo (de rotación) **IZQUIERDO** del interruptor de vaivén y manténgalo en esa posición hasta que el rotador alcance la regulación de la izquierda en donde éste se detiene automáticamente (el lado “izquierdo” representa un giro en sentido contrahorario cuando se mira dicho aparato desde arriba).
6. Una vez que el rotador haya alcanzado la posición de “Parada” en ese extremo, suelte el interruptor **IZQUIERDO** y observe la aguja indicadora del controlador para ver si está apuntando a 0° (N: Norte).  
Si la aguja indicadora estuviera mal alineada, entonces sostenga el borde del marco alrededor de la ventana de soporte, gírelo 10° a la izquierda y retírelo del aparato. A continuación, tome la aguja desde el centro y tírela hacia afuera para sacarla, vuelva a colocar la aguja justo al frente de 0° (mirando hacia arriba) y proceda a reinstalar el marco en la unidad.
7. Justo sobre el enchufe de conexión circular en la unidad del rotador observará que existen dos marcas de calibración en relieve (una en la campana “giratoria” y otra en la base “fija” del rotador). Estas dos marcas deben quedar correctamente alineadas entre sí. De lo contrario, coloque un pequeño pedazo de cinta protectora sobre la campana giratoria y la base fija de la unidad del rotador y haga una marca de calibración con el objeto de comprobar la magnitud de rotación en el próximo paso.
8. Oprima el costado (de rotación) **DERECHO** del interruptor de vaivén y continúe girándolo en esa dirección hasta que las marcas de calibración (mencionadas en el paso 7) vuelvan a quedar correctamente alineadas. Proceda a revisar la aguja indicadora, la cual también debió haber realizado

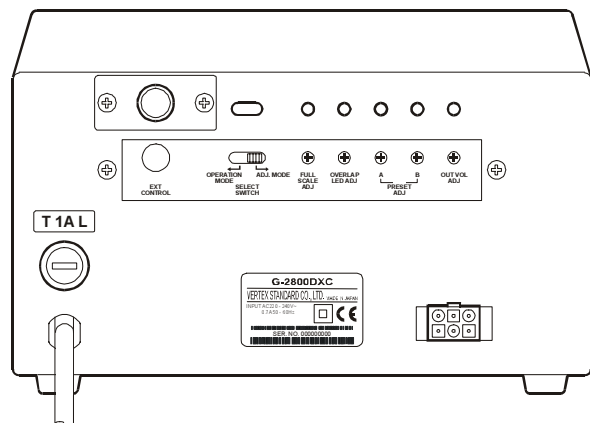
un giro completo de 360,° de modo de quedar calibrada exactamente frente a 0°.

Si la aguja indicadora no estuviera precisamente delante de 0°, vaya al panel posterior del controlador y con un destornillador pequeño, regule el potenciómetro de **AJUSTE DE PLENA ESCALA** (ver párrafo a continuación), a fin de que dicha aguja quede ubicada justo enfrente de esa magnitud.

9. Presione nuevamente el interruptor **DERECHO** y continúe girándolo en esa misma dirección. El usuario debe ver que el LED de **SUPERPOSICIÓN** se ilumina cuando la antena pasa el punto correspondiente a los 360° de rotación.

Si el LED de **SUPERPOSICIÓN** no se ilumina al llegar a los 360°, entonces el usuario va a poder utilizar el potenciómetro de **AJUSTE** de dicho indicador (ubicado en el panel posterior del controlador) para alinear el umbral de iluminación con ese mismo punto.

10. Revise para comprobar que la rotación se detiene en forma automática al llegar a los 90° aproximadamente (el este representa un giro total de 450° a partir del punto de partida original).
11. Accione los interruptores (de rotación) **IZQUIERDO** y **DERECHO** un par de veces más para cerciorarse de que el movimiento es normal. De ser así, oprima cualquiera de esos dos conmutadores (de rotación) para ajustar el rotador 90° (al este).
12. Después de colocar el control de **AJUSTE PRELIMINAR** en 0° (en la posición extrema de la izquierda), proceda a accionar el interruptor de **ARRANQUE**. En ese instante el rotador debería hacer un giro a la izquierda y detenerse justo al frente de 0°. De lo contrario, vaya al panel posterior del controlador y use un destornillador pequeño para regular el potenciómetro de **AJUSTE PRELIMINAR A**, de modo que el rotador se detenga precisamente delante de la indicación correspondiente a esa magnitud.



Panel Posterior del Controlador

# Instalación del Rotador y la Antena

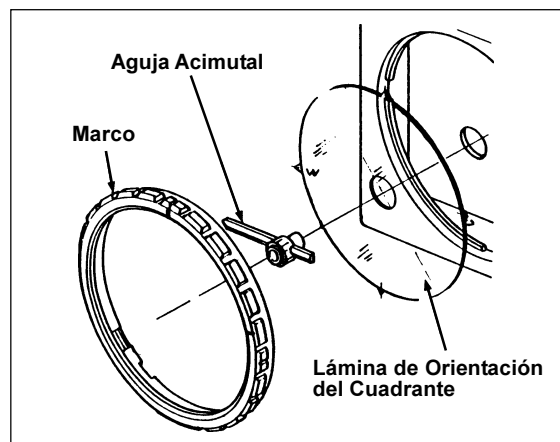
## ALINEACIÓN Y PRUEBA DE LA UNIDAD EN EL INTERIOR

13. Después de colocar el control de **AJUSTE PRELIMINAR** en 90° (en la última posición de la derecha), proceda a accionar el interruptor de **AJUSTE** respectivo. En ese instante el rotador debería hacer un giro a la derecha y detenerse justo al frente de 450° (90° este). De lo contrario, vaya al panel posterior del controlador y use un destornillador pequeño para regular el potenciómetro de **AJUSTE PRELIMINAR B**, de modo que el rotador se detenga precisamente delante de la indicación correspondiente a esa magnitud.
14. Repita los pasos 12 y 13 varias veces hasta que el indicador responda con precisión a la programación de ángulos pequeños cuando el rotador se aproxima a los límites de su recorrido.
15. Coloque el **INTERRUPTOR DE SELECCIÓN** ubicado en el panel posterior en la posición de la *izquierda* (correspondiente al **MODO DE OPERACIÓN**) y proceda a girar el conmutador de **ENCENDIDO** a fin de desconectar el equipo ("OFF").
16. De esta forma concluye la prueba en terreno del rotador y el controlador.

### Instalación de la Placa de Orientación

El equipo incluye una lámina de orientación redonda cubierta con plástico transparente, la cual usted puede instalar situando el norte en cualquier posición que desee. Ésta resulta particularmente útil cuando se necesita colocar el sur (este u oeste) en vez del norte en la parte superior del cuadrante. Para instalar la escala de direcciones:

- Primero coloque el interruptor de **ENCENDIDO** en la posición de conexión, luego oprima el conmutador de vaivén con el fin de poner la aguja indicadora en 0° (mirando hacia arriba), y finalmente apague el referido interruptor.
- Sostenga el borde del marco alrededor de la ventana de soporte, gírelo 10° a la izquierda y retírelo del aparato.
- Fíjese en la posición de la aguja, después tómela desde el centro y tírela para sacarla.
- Determine ahora qué dirección del compás desea colocar en la parte superior y proceda a instalar la etiqueta de orientación contra la escala del acimut, de modo que los dientes pequeños en el contorno de la lámina se adhieran fácilmente al borde del marco.
- Y por último, coloque la aguja y el marco en la misma dirección que se encontraban originalmente (refiérase al diagrama de la derecha).

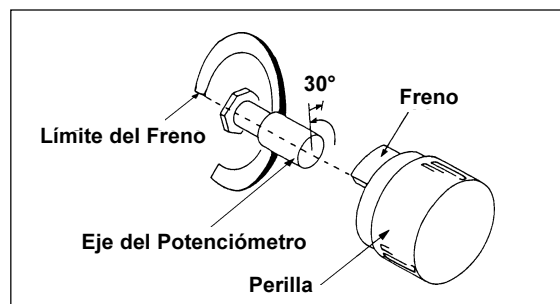


### Calibración de la Perilla de AJUSTE PRELIMINAR

Ejecute el siguiente procedimiento sólo si no es posible alinear el mecanismo de seguimiento de la perilla con los potenciómetros de **AJUSTE PRELIMINAR A** y **B** del panel posterior, de la forma que se describe en los pasos del 12 al 14 incluidos en la página anterior.

- Desprenda la perilla de control de **AJUSTE PRELIMINAR** de la unidad.
- Ajuste el eje del potenciómetro en la última posición de la izquierda y posteriormente gírelo 30° a la derecha.
- Poniendo especial cuidado de no alterar el potenciómetro de **AJUSTE PRELIMINAR**, empuje nuevamente la perilla sobre el eje a fin de alinear el retén con el borde izquierdo de la ranura situada en el panel detrás de la perilla, tal como se ilustra en el cuadro de la derecha.
- Repita los pasos 12 y 13 de la página anterior para Alinear el Mecanismo de Seguimiento del Dial a partir del modo de **AJUSTE PRELIMINAR**.

No se olvide de colocar el **CONMUTADOR DE SELECCIÓN** del panel posterior en la posición de la *izquierda* (**MODO DE OPERACIÓN**) después de terminar la alineación.



# Instalación del Rotador y la Antena

## INSTALACIÓN DEL ROTADOR G-1000DXC Y LA ANTENA EN TORRE

**¡Importante!!** Antes de montar el mástil en el rotador, es necesario hacer un sólo agujero en la parte inferior del poste con el objeto de acomodar un perno de soporte antideslizante utilizado en ambas mitades de la abrazadera de sujeción de la base.

1. Perfore un agujero de 9 mm de diámetro que atraviese ambas paredes del mástil, centrándolo a 50 mm de la base (ver figura 1). Cerciórese de mantener el taladro perpendicular y centrado al hacer los agujeros, con el objeto de que los perforados en el mástil queden debidamente alineados con los de la abrazadera de soporte de la base.
2. Fije el rotador en la placa de montaje respectiva de la torre utilizando los pernos M8 x 16 y las arandelas de presión que se suministran con el equipo. Es recomendable untar ligeramente las puntas de los pernos con grasa lubricante para facilitar su remoción en el futuro (ver figura 2).
3. Si ha de utilizar un cojinete de empuje (como el optativo de Yaesu, modelo **GS-065**), móntelo en la parte superior de la torre (ver figura 3) con las piezas de metal que se suministran con el referido accesorio.
4. Ajuste parcialmente la abrazadera del mástil ① a la columna del rotador utilizando los pernos M8 x 25 ②, las arandelas planas y de presión que se suministran con el equipo (ver figura 5).
5. Con un “poste grúa” o cualquier otra portapieza de izar, inserte el mástil de antena por la parte de arriba a través del cojinete y colóquelo entre las abrazaderas del rotador, ajuste posteriormente dichas abrazaderas en forma parcial utilizando la arandela de presión y los pernos M8 x 70 ③ que se suministran con el equipo.

**Recomendación:** Una cara de la abrazadera posee agujeros para pernos con una de sus orillas acanaladas; los pernos deben ser insertados desde ese lado, de modo que los dientes impidan que la cabeza de tales pernos se mueva.

6. Introduzca el tornillo M8 x 95 ⑤ que trae el dispositivo a través de las abrazaderas para mástil y del mástil propiamente tal, luego fíjelo en forma parcial utilizando la tuerca cuadrada que también se suministra con dicho equipo.
7. Ajuste parcialmente los tornillos en el cojinete de empuje, a fin de centrar el mástil sobre el referido punto de apoyo. Una vez que determine que el mástil se encuentra debidamente centrado, apriete los pernos en el cojinete de empuje con el objeto de asegurarlo en el lugar respectivo.
8. Ahora proceda a ajustar todas las tuercas de la abrazadera para mástil, con excepción de la cuadrada que sujeta el tornillo M8 x 95 que pasa a través de las referidas presillas y del mástil propiamente tal. Es necesario dejar la tuerca cuadrada sólo levemente asegurada en este punto.

**¡Precaución!** No apriete demasiado las tuercas en las abrazaderas para mástil, si no que por el contrario, éstas se deben ajustar hasta que la arandela de presión se vea plana, dándoles posteriormente de ½ a una vuelta más

como máximo.

9. Inserte la clavija redonda del cable de control del rotador en el enchufe ubicado en el costado de la base de la unidad y luego, proceda a ajustar el anillo de empalme para fijar el conector en su lugar. Deslice a continuación el manguito aislador de caucho sobre el conector y mientras ejerce un poco de presión hacia dentro sobre el referido protector, sujete con cinta aislante la punta de atrás de ese dispositivo de caucho contra el cable. Esta leve presión hacia dentro sobre el manguito de caucho servirá para proteger mejor la instalación contra la intemperie. Asegure el cable de control en varios puntos de la torre con cinta aislante o si prefiere, con anillos para cable resistentes a la radiación ultravioleta.
10. Encárguele a un miembro de la cuadrilla de tierra que coloque el controlador en 0° (Norte), lo cual corresponde a una rotación de 180° en sentido horario a partir del punto de “parada” del lado izquierdo. Durante la rotación, observe el perno M8 x 95 para cerciorarse de que no se atasque entre el mástil y las abrazaderas del mismo. Si nota que se traba, deje de girar la pieza y ajuste levemente el cojinete de empuje, las abrazaderas para mástil o ambos, de modo de eliminar la obstrucción. Si el perno M8 por 95 no se atasca, prosiga con la instalación y apriete firmemente la tuerca cuadrada.
11. Deje suficiente holgura en el cable coaxial de modo que la antena pueda girar sobre toda su extensión de 450° sin ejercer tensión sobre esa línea (ver figura 8). Fije el cable coaxial en la torre con cinta aislante o si prefiere, con anillos para cable resistentes a la radiación ultravioleta.
12. Con esto se da por terminada la instalación del rotador. Si hubiese rayado el revestimiento de melamina de la unidad durante el proceso, puede aplicar varias capas de aerosol acrílico transparente para proteger el metal expuesto de la corrosión. Una vez que haya completado la instalación, pruebe el sistema haciendo que el rotador recorra la gama completa de rotación. Es aconsejable realizar esta prueba con la ayuda de un observador, de modo de detener la unidad si se obstruyera, atascara o se tensara demasiado el anillo de rotación del cable coaxial durante el ensayo.

### Nota Relativa a la Instalación

Si instala una torre de techo con un mástil largo entre la punta de la torre y la antena, siempre es aconsejable utilizar un “Cojinete de Anclaje” en la instalación. Los cojinetes de Yaesu **GS-050** y **GS-065** incluyen “orejas” para riendas que le permiten fijar los cables para riostras en el mástil. Puesto que al instalar un sistema de anclaje podría desajustar las líneas centrales del cojinete y el rotador, no se olvide de revisar la alineación del accesorio de la torre de techo y los cables de viento con el objeto de cerciorarse de que el mástil quede derecho.

# Instalación del Rotador y la Antena

## INSTALLATION OF THE G-1000DXC ROTATOR AND ANTENNA ON TOWER

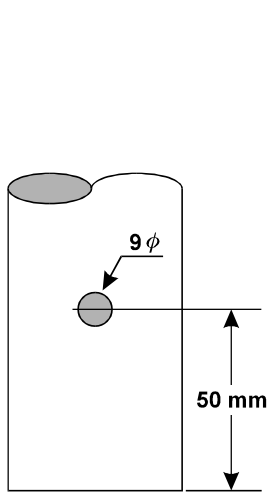


Figura 1

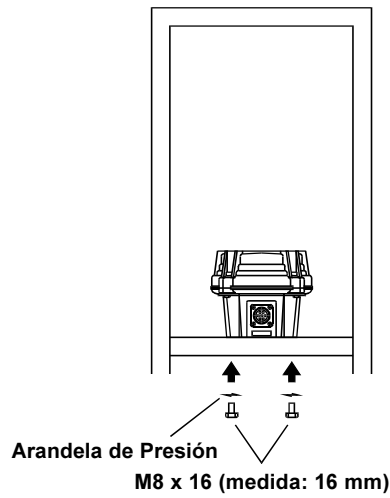


Figura 2

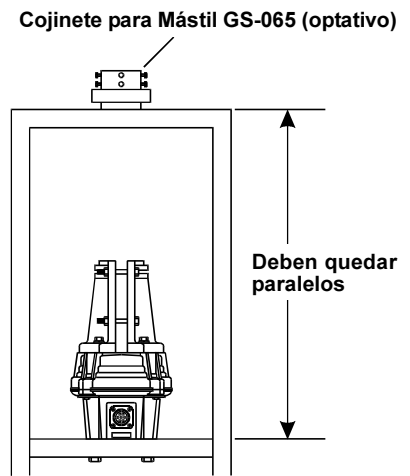


Figura 3

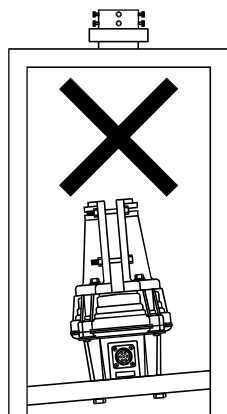


Figura 4

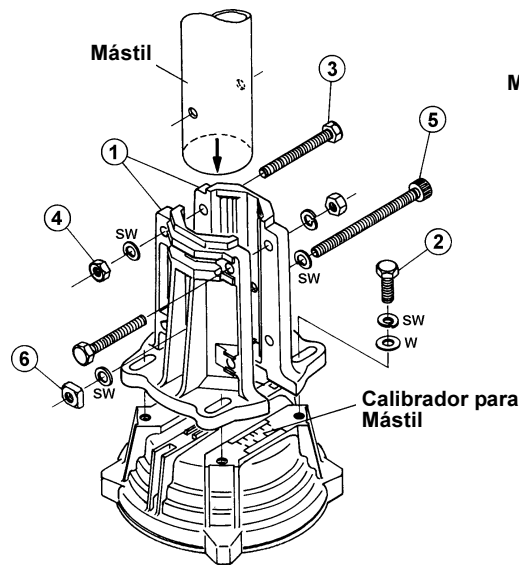


Figura 5

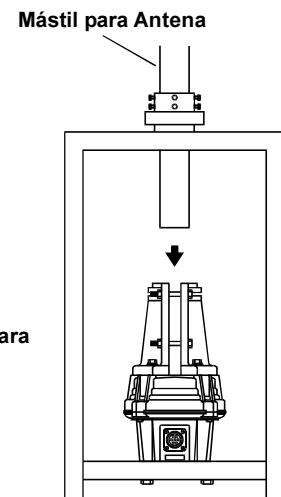


Figura 6

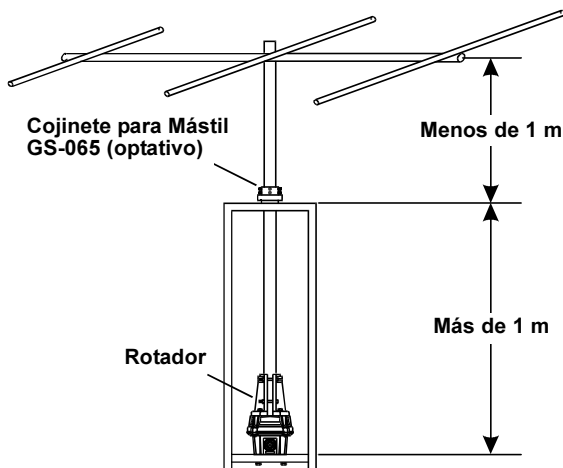


Figura 7

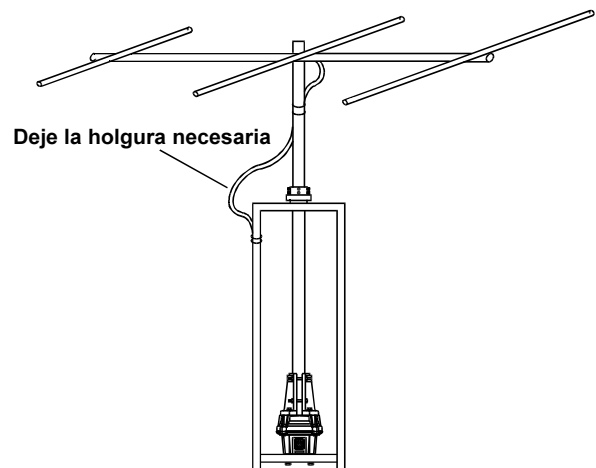


Figura 8

# Instalación del Rotador y la Antena

## INSTALACIÓN DEL ROTADOR G-2800DXC Y LA ANTENA EN TORRE

**¡Importante!!** Antes de montar el mástil en el rotador, es necesario hacer un sólo agujero en la parte inferior del poste con el objeto de acomodar un perno de soporte antideslizante utilizado en ambas mitades de la abrazadera de sujeción de la base.

1. Perfore un agujero de 9 mm de diámetro que atraviese ambas paredes del mástil, centrándolo a 82 mm de la base (ver figura 9). Cerciórese de mantener el taladro perpendicular y centrado al hacer los agujeros, con el objeto de que los perforados en el mástil queden debidamente alineados con los de la abrazadera de sujeción de la base.
2. Fije el rotador en la placa de montaje respectiva de la torre utilizando los pernos M8 x 18 y las arandelas de presión que se suministran con el equipo. Es recomendable untar ligeramente las puntas de los pernos con grasa lubricante para facilitar su remoción en el futuro (ver figura 10).
3. Si ha de utilizar un cojinete de empuje (como el optativo de Yaesu, modelo **GS-065**), móntelo en la parte superior de la torre (ver figura 11) con las piezas de metal que se suministran con el referido accesorio.
4. Ajuste parcialmente la abrazadera del mástil ① a la columna del rotador utilizando los pernos M8 x 30 ②, las arandelas planas y de presión que se suministran con el equipo (ver figura 13).
5. Con un "poste grúa" o cualquier otra portapieza de izar, inserte el mástil de antena por la parte de arriba a través del cojinete y colóquelo entre las abrazaderas del rotador, ajuste posteriormente dichas abrazaderas en forma parcial utilizando la arandela de presión y los pernos M8 x 70 ③ que se suministran con el equipo.

**Recomendación:** Una cara de la abrazadera posee agujeros para pernos con una de sus orillas acanaladas; los pernos deben ser insertados desde ese lado, de modo que los dientes impidan que la cabeza de tales pernos se mueva.

6. Introduzca el tornillo M8 x 95 ⑤ que trae el dispositivo a través de las abrazaderas para mástil y del mástil propiamente tal, luego fíjelo en forma parcial utilizando la tuerca cuadrada que también se suministra con dicho equipo.
7. Ajuste parcialmente los tornillos en el cojinete de empuje, a fin de centrar el mástil sobre el referido punto de apoyo. Una vez que determine que el mástil se encuentra debidamente centrado, apriete los pernos en el cojinete de empuje con el objeto de asegurarlo en el lugar respectivo.
8. Ahora proceda a ajustar todas las tuercas de la abrazadera para mástil, con excepción de la cuadrada que sujeta el tornillo M8 x 95 que pasa a través de las referidas presillas y del mástil propiamente tal. Es necesario dejar la tuerca cuadrada sólo levemente asegurada en este punto.  
**¡Precaución!:** No apriete demasiado las tuercas en las abrazaderas para mástil, si no que por el contrario, éstas se deben ajustar hasta que la arandela de presión se vea

plana, dándoles posteriormente de ½ a una vuelta más como máximo.

9. Inserte la clavija redonda del cable de control del rotador en el enchufe ubicado en el costado de la base de la unidad y luego, proceda a ajustar el anillo de empalme para fijar el conector en su lugar. Deslice a continuación el manguito aislador de caucho sobre el conector y mientras ejerce un poco de presión hacia dentro sobre el referido protector, sujete con cinta aislante la punta de atrás de ese dispositivo de caucho contra el cable. Esta leve presión hacia dentro sobre el manguito de caucho servirá para proteger mejor la instalación contra la intemperie. Asegure el cable de control en varios puntos de la torre con cinta aislante o si prefiere, con anillos para cable resistentes a la radiación ultravioleta.
10. Encárguele a un miembro de la cuadrilla de tierra que coloque el controlador en 0° (Norte), lo cual corresponde a una rotación de 180° en sentido horario a partir del punto de "parada" del lado izquierdo. Durante la rotación, observe el perno M8 x 95 para cerciorarse de que no se atasque entre el mástil y las abrazaderas del mismo. Si nota que se traba, deje de girar la pieza y ajuste levemente el cojinete de empuje, las abrazaderas para mástil o ambos, de modo de eliminar la obstrucción. Si el perno M8 por 95 no se atasca, prosiga con la instalación y apriete firmemente la tuerca cuadrada.
11. Deje suficiente holgura en el cable coaxial de modo que la antena pueda girar sobre toda su extensión de 450° sin ejercer tensión sobre esa línea (ver figura 16). Fije el cable coaxial en la torre con cinta aislante o si prefiere, con anillos para cable resistentes a la radiación ultravioleta.
12. Con esto se da por terminada la instalación del rotador. Si hubiese rayado el revestimiento de melamina de la unidad durante el proceso, puede aplicar varias capas de aerosol acrílico transparente para proteger el metal expuesto de la corrosión. Una vez que haya completado la instalación, pruebe el sistema haciendo que el rotador recorra la gama completa de rotación. Es aconsejable realizar esta prueba con la ayuda de un observador, de modo de detener la unidad si se obstruyera, atascara o se tensara demasiado el anillo de rotación del cable coaxial durante el ensayo.

### Nota Relativa a la Instalación

Si instala una torre de techo con un mástil largo entre la punta de la torre y la antena, siempre es aconsejable utilizar un "Cojinete de Anclaje" en la instalación. Los cojinetes de Yaesu **GS-050** y **GS-065** incluyen "orejas" para riendas que le permiten fijar los cables para riostras en el mástil. Puesto que al instalar un sistema de anclaje podría desajustar las líneas centrales del cojinete y el rotador, no se olvide de revisar la alineación del accesorio de la torre de techo y de los cables de viento con el objeto de cerciorarse de que el mástil quede derecho.

# Instalación del Rotador y la Antena

## INSTALLATION OF THE G-2800DXC ROTATOR AND ANTENNA ON TOWER

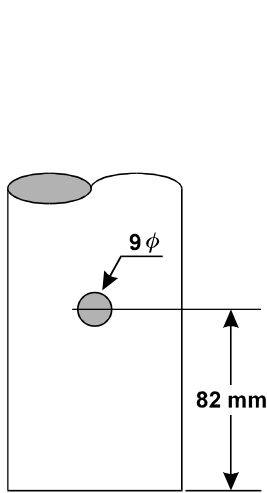


Figura 9

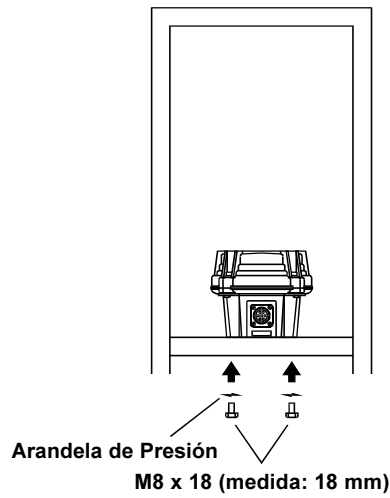


Figura 10

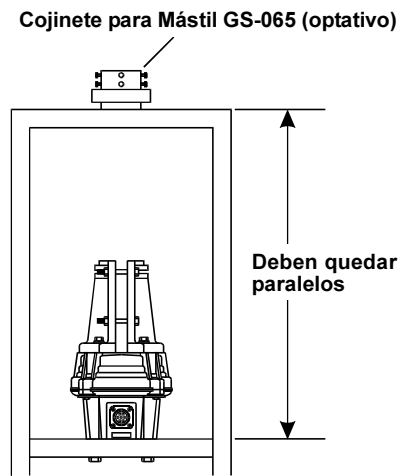


Figura 11

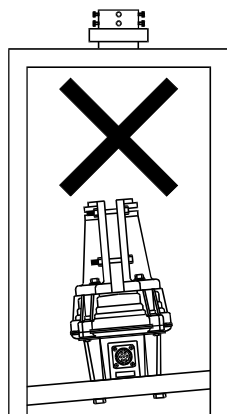


Figura 12

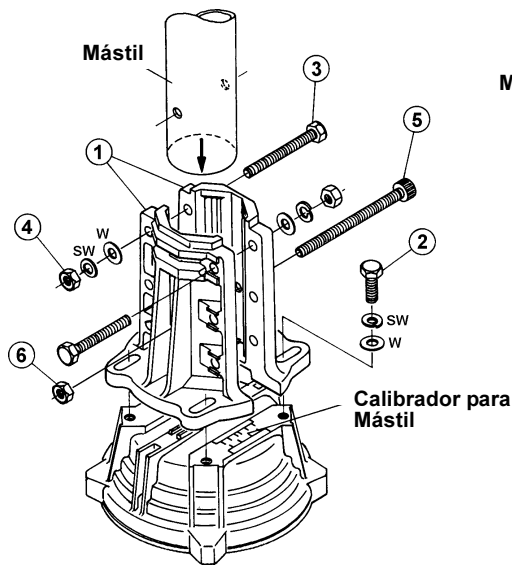


Figura 13

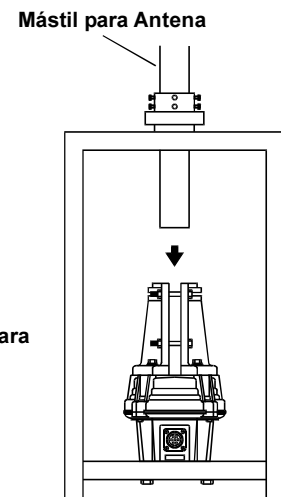


Figura 14

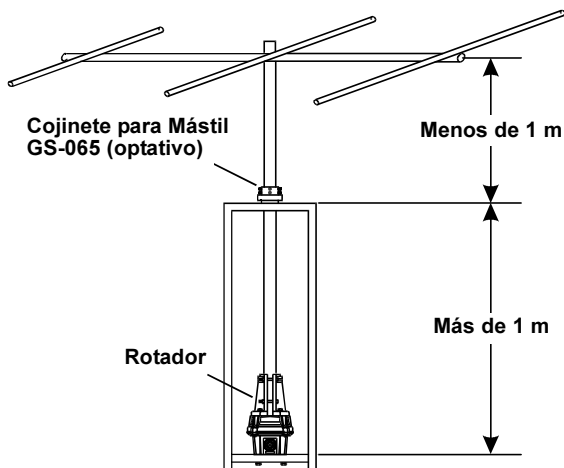


Figura 15

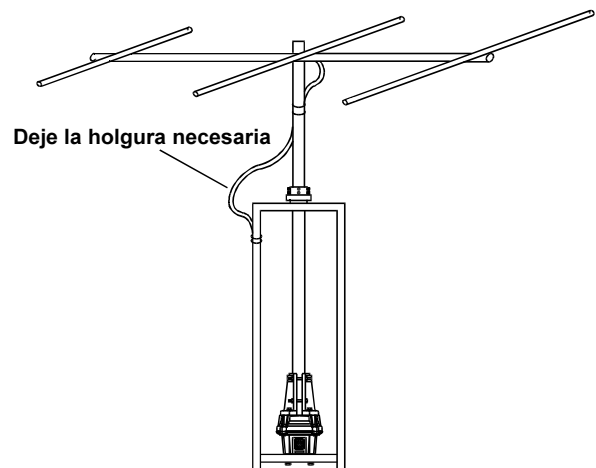


Figura 16

# ¡Importante!

La instalación de una antena giratoria en un sistema de torre es una tarea peligrosa y potencialmente nefasta, si no se toman las debidas precauciones durante el proceso.

Jamás instale una torre en un sitio donde podría caer sobre cables de distribución de energía, en caso de una eventual falla catastrófica durante un huracán o terremoto.

El cable de control conectado en el rotador podría, en caso de la eventual caída de un relámpago en los alrededores o en forma directa, acarrear niveles de tensión letales hasta el interior de su hogar. YAESU sin lugar a dudas recomienda incorporar buenos pararrayos en todos los cables de control e hilos de entrada provenientes de su instalación de antena. Comuníquese con el distribuidor YAESU para obtener información acerca de los dispositivos de protección contra rayos que existen actualmente en el mercado.

De reportarse una tormenta eléctrica en su localidad, retire de inmediato el cable de control de la parte de atrás de la caja del controlador en el rotador y proceda a desconectar el cordón de alterna del tomacorriente de la pared. Del mismo modo, desenchufe el o los cables coaxiales de todas las antenas existentes. *Ejecute este procedimiento sólo si la tormenta no ha alcanzado a registrarse en las inmediaciones de su localidad, puesto que usted podría perder la vida instantáneamente si un rayo cayera justo en el momento en que se dispusiera a tomar uno de esos cables con la mano.*

De tener cualquier duda con respecto a su capacidad de montar el rotador sin correr ningún peligro, solicite los servicios de una compañía especializada en la instalación de estos sistemas.



# Especificaciones Técnicas

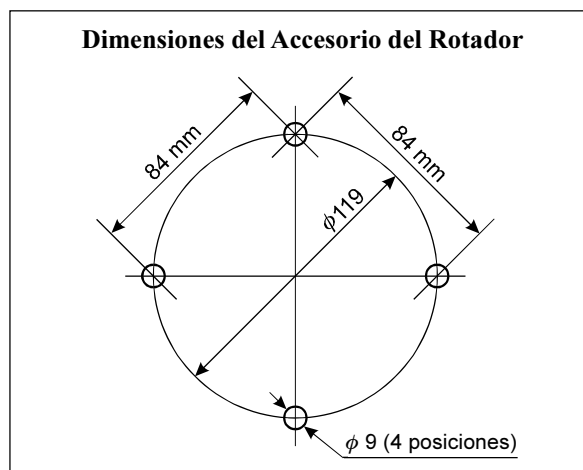
	<b>G-1000DXC</b>	<b>G-2800DXC</b>
<b>Tensión de Alimentación:</b>	220 - 240 V de CA, 50 - 60 H	220 - 240 V de CA, 50 - 60 Hz
<b>Consumo de Corriente de la Fuente de Alimentación:</b>	0.5 A	0.7 A
<b>Tensión del Rotor:</b>	11 - 24 V de CC	11 - 24 V de CC
<b>Tiempo para Realizar una Rotación de 360° (Sin Carga):</b>	100 ± 10 seg a 40 ± 5 seg (Variable)	120 ± 10 seg a 50 ± 5 seg (Variable)
<b>Ángulo de Rotación:</b>	450° ± 3°	450° ± 3°
<b>Par de Rotación (@230 V de CA):</b>	600 a 1.100 kgf-cm	800 a 2.500 kgf-cm
<b>Torsión de Ruptura:</b>	6.000 kgf-cm	25.000 kgf-cm
<b>Máxima Carga Vertical:</b>	200 kg o inferior (constante) 800 kg (momentánea)	300 kg o inferior (constante) 1.200 kg (momentánea)
<b>Diámetro Exterior del Mástil:</b>	φ 38 a φ 63	φ 48 a φ 63
<b>Tipo de Freno:</b>	Retenes Mecánicos y Eléctricos	Retenes Mecánicos y Eléctricos
<b>Coefficiente K de la Antena:</b>	230 o inferior	950 o inferior
<b>Superficie de Carga del Viento:</b>	0,75 m <sup>2</sup> x 0,6 m o inferior (Tipo Poste) 2,2 m <sup>2</sup> o inferior (Tipo Torre)	1 m <sup>2</sup> x 0,8 m o inferior (Tipo Poste) 3 m <sup>2</sup> o inferior (Tipo Torre)
<b>Servicio Continuo Máximo:</b>	3 minutos	3 minutos
<b>Margen de Temperaturas de Funcionamiento:</b>	0 °C a +40 °C (Controlador) -10 °C a +40 °C (Rotador)	0 °C a +40 °C (Controlador) -10 °C a +40 °C (Rotador)
<b>Dimensiones del Rotador:</b>	φ 186 x 300 mm	φ 200 x 345 mm
<b>Peso del Rotador:</b>	Aprox. 3,6 kg	Aprox. 6,5 kg
<b>Dimensiones del Controlador:</b>	200 (ancho) x 130 (alto) x 193 (fondo) mm	200 (ancho) x 130 (alto) x 193 (fondo) mm
<b>Peso del Controlador:</b>	Aprox. 2,8 kg	Aprox. 3,8 kg

Este equipo cumple con las siguientes normas:

EMC Directive 89/336/EEC: EN50081-1 y EN50082-1

LVD 73/23 EEC: EN60065

*Especificaciones sujetas a cambio sin previo aviso ni compromiso por parte de la compañía.*



# Accesorios y Componentes Alternativos

## DESEMBALAJE E INSPECCIÓN DE LA UNIDAD

Al desempacar el rotador, verifique que los siguientes artículos hayan sido incluidos:

<b>G-1000DXC</b>	<b>CANTIDAD</b>	<b>G-2800DXC</b>	<b>CANTIDAD</b>
Unidad del Controlador	1	Unidad del Controlador	1
Unidad del Rotador	1	Unidad del Rotador	1
Abrazaderas para Mástil	1 par	Abrazaderas para Mástil	1 par
Cable de Conexión (cable de 6 almas de 25 m)	1	Cable de Conexión (cable de 6 almas de 40 m)	1
Tornillo de Cabeza Hueca M8 x 95 mm	1	Tornillo de Cabeza Hueca M8 x 95 mm	1
Pernos Hexagonales M8 x 16 mm	4	Pernos Hexagonales M8 x 18 mm	4
Pernos Hexagonales M8 x 25 mm	4	Pernos Hexagonales M8 x 30 mm	4
Pernos Hexagonales M8 x 70 mm	4	Pernos Hexagonales M8 x 70 mm	6
Arandelas Partidas	14	Arandelas Partidas	14
Arandelas Planas	4	Arandelas Planas	10
Tuercas M8	4	Tuercas M8	7
Tuerca Cuadrada	1	Fusible de Repuesto	1 (1A)
Fusible de Repuesto	1 (1A)	Lámina de Orientación Plastificada	1
Lámina de Orientación Plastificada	1		

*Si faltara cualquier pieza o si llegara alguna en mal estado, guarde la caja y notifique el problema a la compañía de transporte (o si no, directamente a la tienda donde adquirió la unidad).*

## ACCESORIOS OPTATIVOS

Abrazadera para Mástil (para el <b>G-1000DXC</b> )	<b>GC-038</b>
Abrazadera para Mástil (para el <b>G-2800DXC</b> )	<b>GC-048</b>
Cojinete de Empuje Universal (para el mástil de 50 mm)	<b>GS-050</b>
Cojinete de Empuje Universal (para el mástil de 65 mm)	<b>GS-065</b>
Unidad de Control Mediante Computadora (Serial RS-232C)	<b>GS-232A</b>
Cable de Control (40 m: para el <b>G-1000DXC</b> )	<b>G-40MWP</b>
Junta de Absorción (para el <b>G-1000DXC</b> )	<b>GA-2500</b>
Junta de Absorción (para el <b>G-2800DXC</b> )	<b>GA-3000</b>



# G-1000DXC/G-2800DXC

## Hochleistungsrotor und Steuergerät

Mit den beiden Rotoren **G-1000DXC** und **G-2800DXC** von Yaesu lassen sich große, auf Antennenmasten montierte kommerzielle Antennen und Amateurfunkantennen ferngesteuert von der Funkstation aus drehen. Der Rotor besteht aus jeweils zwei Klemmbacken mit zwei 7/16-Zoll-Kugellagerringen, die das Gewicht über den gesamten Durchmesser des Gehäuses gleichmäßig verteilen. Dadurch werden Belastung und Verschleiß beträchtlich verringert. Da das Gehäuse von oben vollständig abgeschlossen ist, kann auch kein Wasser eindringen.

Anstelle des bei älteren Rotoren üblichen Wechselstromantriebs verfügen der **G-1000DXC** und der **G-2800DXC** über einen Gleichstrommotor mit variabler Spannung. Damit entfällt der bisher notwendige Anlaßkondensator, der bei Temperaturschwankungen leicht ausfallen konnte. Der dauergeschmierte Rotor steckt in einem melaminharzbeschichteten Aluminium-Druckgußgehäuse und ist für wartungslosen Betrieb auch unter schwierigen klimatischen Verhältnissen ausgelegt. Eine Eichskala am Rotorgehäuse erleichtert beim Aufbau die präzise mechanische Ausrichtung.

Das formschöne Steuergerät paßt im Aussehen zu den heute üblichen Transceivern. Es besitzt eine 360°-Skala zur Anzeige der aktuellen Antennenrichtung. Die Drehgeschwindigkeit kann zwischen 40 und 100 Sekunden für eine volle Umdrehung (360°) eingestellt werden (**G-1000DXC**; **G-2800DXC**: 50 bis 120 Sekunden). Außerdem ist es möglich, eine bestimmte Richtung voreinzustellen, in die sich der Rotor dann automatisch dreht.

Der **G-2800DXC** verfügt über spezielle "Auto Slow Start"- und "Auto Slow Stop"-Funktionen, durch die bei hoher Drehgeschwindigkeit die Antenne und der Mast geschont werden. Beim Einschalten läuft der Rotor zunächst mit langsamer Geschwindigkeit an. Kurz vor Erreichen der gewünschten Position wird der Rotor wieder abgebremst, und die Antenne kommt sanft zum Stehen. Die Anschlagstellung (d. h. die Endposition für den Rotor) läßt sich entsprechend dem Standort und den Betriebsbedingungen beliebig festlegen. Damit ist es möglich, alle nördlichen oder alle südlichen Richtungen oder beides in vollem Umfang abzudecken. Die Anschlagstellung kann um bis zu 90° überfahren werden, wodurch sich ein Drehbereich von insgesamt 450° ergibt.

Der Rotor ist für die Montage auf einem Antennenmast (nicht im Lieferumfang enthalten), mindestens 1 Meter unterhalb der Spitze, vorgesehen. Als Zubehör ist ein Oberlager (Yaesu **GS-680U**) lieferbar. Zum Lieferumfang gehören ein Satz Klemmbacken und das dazugehörige Kleinmaterial sowie Steckverbindungen für den Rotor und das Steuergerät. Außerdem ist zusätzlich eine 40 Meter lange Steuerleitung **G-40MWP** lieferbar.

Zum Einbau in das Steuergerät ist die Computersteuerung **GS-232A** als Zubehör erhältlich. Mit ihr läßt sich die Antennenrichtung mit Hilfe eines Computers über die serielle RS-232-Schnittstelle einstellen.

Bevor Sie mit dem Aufbau des Rotors beginnen, sollten Sie dieses Handbuch gründlich durchlesen, damit Sie mit allen notwendigen Schritten vertraut werden und sichergehen können, daß alle für den Einbau erforderlichen Teile bereitliegen.

# Sicherer und korrekter Umgang mit dem Gerät

## Bedeutung der Symbole



### **Warnung**

zeigt an, daß ein Nichtbefolgen der entsprechenden Anweisung zu schweren Körperverletzungen oder sogar zum Tod führen kann.



### **Vorsicht**

zeigt an, daß ein Nichtbefolgen der entsprechenden Anweisung zu Körperverletzungen oder Sachschäden führen kann.

## Bedeutung der Symbole in den Abbildungen



zeigt an, daß für einen sicheren Betrieb die entsprechende Anweisung unbedingt zu befolgen ist.



zeigt an, daß ein unsicherer Betrieb unbedingt zu vermeiden ist.



## **Warnung**



**Bevor Sie mit dem Aufbau beginnen, lesen Sie bitte dieses Handbuch gründlich durch, und machen Sie sich mit den Aufbauschritten vertraut. Bei der Installation des Rotors müssen Sie Arbeiten in größerer Höhe über Grund durchführen.**

Wenn Sie solche Arbeiten nicht gewöhnt sind, sollten Sie Vorsichtsmaßnahmen ergreifen, damit Sie nicht hinabstürzen. Auch kann bei einer unsachgemäßen Installation erheblicher Schaden am Haus oder anderen Gegenständen durch herabfallende Antennen oder Mastteile entstehen. Überprüfen Sie daher alle Sicherheitseinrichtungen, bevor Sie mit der Arbeit beginnen.



**Vergewissern Sie sich, daß die mechanischen Daten der Antenne, die mit dem Rotor verbunden werden soll, innerhalb der in diesem Handbuch angegebenen Grenzen liegen.**

Wenn Sie eine Antenne anbringen, deren Abmessungen die angegebenen Grenzen überschreiten, besteht die Gefahr, daß die Antenne herabfällt oder der Mast umstürzt, wodurch ein erheblicher Schaden am Haus oder anderen Gegenständen entstehen kann.



**Sorgen Sie dafür, daß während der Arbeiten in der Höhe sich niemand unter der Antenne aufhält.**

Herabfallende Werkzeugteile oder Schrauben können zu schweren Körperverletzungen oder sogar zum Tod führen.



**Tragen Sie bei Arbeiten in größerer Höhe stets einen Sicherheitsgurt.**

Auch ein Nichtbeachten dieser Regel kann zu schweren Körperverletzungen oder sogar zum Tod führen.



**Achten Sie darauf, daß Schrauben und andere Halterungen stets fest angezogen werden.**

Bei nicht fest angezogenen Schrauben oder Halterungen besteht die Gefahr, daß die Antenne herabfällt oder der Mast umstürzt, wodurch ein erheblicher Schaden am Haus oder anderen Gegenständen entstehen kann.



**Versuchen Sie niemals, den Rotor auseinanderzunehmen oder umzubauen.**

# Sicherer und korrekter Umgang mit dem Gerät

## **Vorsicht**



**Passen Sie beim Aufbau auf, daß Sie sich nicht die Finger klemmen oder sich an scharfen Kanten schneiden.**



**Schalten Sie den Rotor sofort aus, und ziehen Sie den Netzstecker, wenn Sie Rauch oder einen ungewöhnlichen Geruch feststellen.**

Ein weiterer Betrieb könnte einen Brand auslösen oder sonstige Schäden verursachen. Lassen Sie den Rotor abkühlen, und senden Sie ihn zur Reparatur an Ihren Händler oder an die nächstgelegene Yaesu-Musen-Vertretung.



**Sollte Ihnen einmal etwas in das Steuergerät fallen, schalten Sie den Rotor sofort aus, und ziehen Sie den Netzstecker.**

Ein weiterer Betrieb könnte einen Brand auslösen oder sonstige Schäden verursachen.



**Zur Spannungsversorgung darf nur ein Netzteil mit der angegebenen Spannung verwendet werden.**

Der Betrieb mit einer anderen Spannung kann einen Brand auslösen oder sonstige Schäden verursachen.



**Wenn Sie den Rotor für eine längere Zeit nicht benutzen wollen, ziehen Sie aus Sicherheitsgründen den Netzstecker.**



**Der Rotor darf ununterbrochen nicht länger als 3 Minuten betrieben werden.**

Bei unterbrochenem Betrieb darf der Rotor bis zu 5 Minuten laufen, danach darf der Motor jedoch erst nach 15 Minuten wieder eingeschaltet werden.



**Weder der Rotor noch das Steuergerät enthält Teile, die gewartet werden müssen. Öffnen Sie daher niemals den Rotor oder das Steuergerät.**



**Sorgen Sie für einen sicheren Standplatz für das Steuergerät, da bei einer unebenen oder zu glatten Standfläche die Gefahr besteht, daß das Gerät hinunter- oder umfällt und damit Schaden verursacht.**



**Stellen Sie keine schweren Gegenstände auf das Netzkabel. Auch sollten Sie das Kabel nicht zu stark knicken oder an ihm ziehen.**

Eine Beschädigung des Kabels kann einen Brand auslösen oder Störungen verursachen.



**Stellen Sie das Steuergerät nicht in direktem Sonnenlicht oder in der Nähe einer Heizung auf, da es sich sonst verformen oder verfärben kann.**



**Stellen Sie das Steuergerät nicht in feuchten oder staubigen Umgebungen auf, da dies zu einem Brand oder einer Störung führen kann.**



**Stellen Sie das Steuergerät nicht an eng umschlossenen oder schlecht belüfteten Orten, z. B. in einem Bücherregal, auf, da dies zu einem Brand oder einer Störung führen kann.**



**Stellen Sie das Steuergerät nicht auf einem Teppich oder einem Kissen auf, da es sonst zu einem Wärmestau kommen kann, was einen Brand auslösen kann.**



**Stellen Sie keine schweren Gegenstände auf dem Steuergerät ab, da sonst das Gerät umfallen oder hinunterfallen und Schäden verursachen kann.**



**Legen Sie keine metallenen Gegenstände, z. B. Büroklammern, auf das Gerät, da sie hineinfallen und ebenfalls einen Brand auslösen können.**



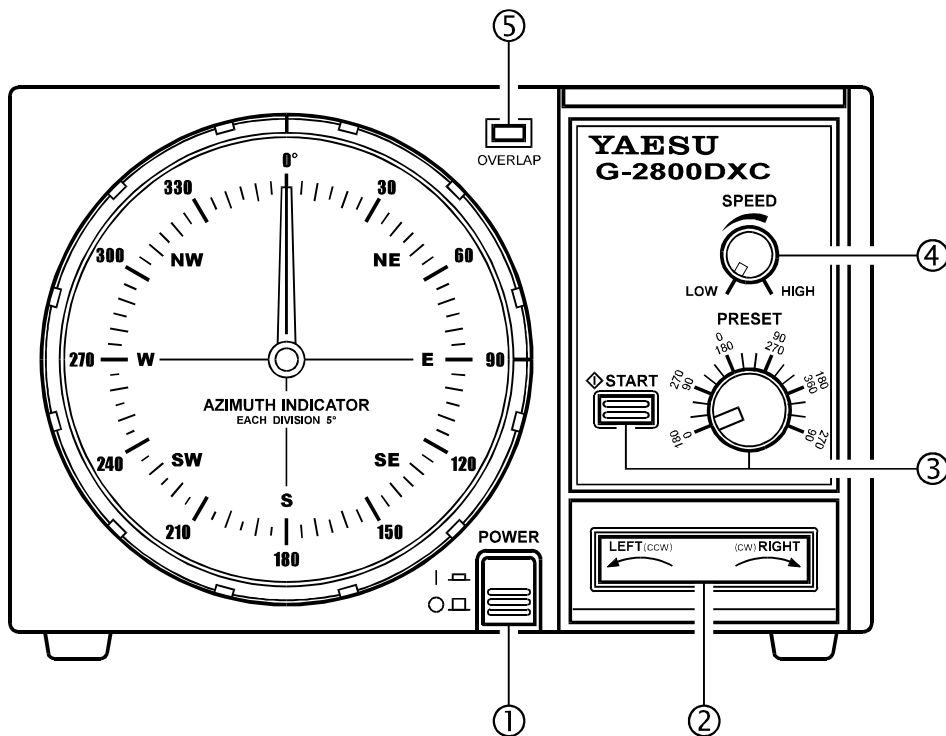
**Reinigen Sie das Steuergerät nicht mit Lösungsmitteln wie Verdünner oder Benzin, da es sich sonst verformen oder verfärben kann.**

Zum Reinigen das Steuergerät wischen Sie mit einem feuchten Tuch mit einem neutralen Reinigungsmittel über das Gehäuse und reiben anschließend mit einem trockenen Tuch nach.



**Schließen Sie das Netzteil erst an, wenn der Rotor und das Steuergerät vollständig montiert ist.**

# Bedienelemente auf der Vorderseite des Steuergerätes



## ① POWER Schalter

Zum Drehen der Antenne schalten Sie das Steuergerät durch Drücken dieser Taste ein. Wenn Sie den Rotor nicht brauchen, schalten Sie das Steuergerät durch nochmaliges Drücken dieser Taste wieder aus.

## ② LEFT/RIGHT-Wipptaste

Um die Antenne im Gegenuhrzeigersinn (counter-clockwise, CCW) zu drehen, drücken Sie die linke Seite (**LEFT**) dieser Taste. Um die Antenne im Uhrzeigersinn (clockwise, CW) zu drehen, drücken Sie die rechte Seite (**RIGHT**) dieser Taste.

## ③ PRESET-Regler und START-Taste

Stellen Sie zunächst mit dem **PRESET**-Regler die gewünschte Antennenrichtung ein. Dabei können Sie sich an der inneren Winkelskala (0 - 90) orientieren. Dann drücken Sie kurz die **START**-Taste, und die Antenne dreht sich automatisch in die gewünschte Richtung. Um den automatischen Drehvorgang zu unterbrechen, drücken Sie nochmals die **LEFT/RIGHT**-Taste.

**Anmerkung:** Wenn Sie die Startposition für den Rotor auf 180° (S: Süd) festgelegt haben, müssen Sie sich bei der Einstellung des **PRESET**-Reglers an der äußeren Winkelskala (180 - 270) an diesem Regler orientieren.

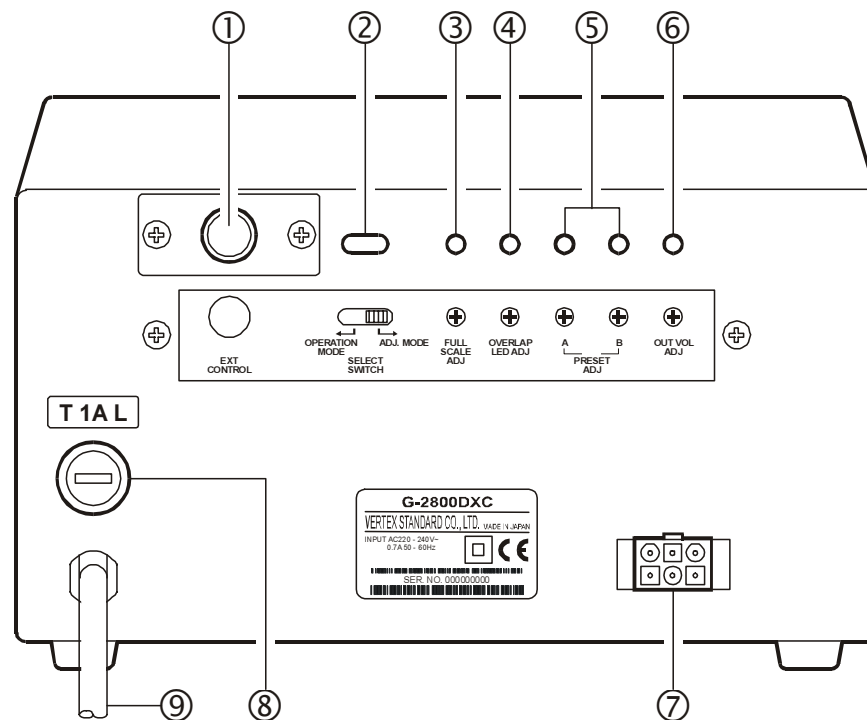
## ④ SPEED-Regler

Mit diesem Regler können Sie die gewünschte Drehgeschwindigkeit von etwa 30 bis 100 Sekunden für eine volle Umdrehung von 360° einstellen.

## ⑤ OVERLAP-Anzeige

Diese rote Leuchtdiode leuchtet auf, wenn die Antenne von der linken Anschlagposition aus über 360° hinaus (bis 450°) gedreht wird. Achten Sie auf diese Anzeige, bevor Sie die Antenne im Uhrzeigersinn laufen lassen. Falls die Anzeige aufleuchtet, drehen Sie die Antenne im Gegenuhrzeigersinn.

# Bedienelemente auf der Rückseite des Steuergerätes



## ① EXT CONTROL-Buchse

Diese sechspolige Miniatur-DIN-Buchse dient zum Anschluß einer als Zubehör erhältlichen Computersteuerung **GS-232A**.

## ② SELECT-Schiebeschalter

Zum Eichen des Steuergerätes stellen Sie den Schiebeschalter auf **“ADJ.MODE”**. Im normalen Betrieb sollte der Schalter auf **“OPERATION MODE”** stehen.

## ③ FULL SCALE ADJ-Potentiometer

Mit diesem Regler können Sie die Anzeige des maximalen Drehwinkelbereichs dem tatsächlichen maximalen Drehwinkel des Rotors angleichen.

## ④ OVERLAP LED ADJ-Potentiometer

Mit diesem Regler können Sie die **OVERLAP**-Anzeige an die Anzeige der tatsächlichen Richtung angleichen.

## ⑤ PRESET ADJ-Potentiometer (A und B)

Mit diesen Reglern können Sie den Winkel des PRESET-Reglers auf der Vorderseite der Anzeige des tatsächlichen Winkels angleichen. Potentiometer A ist auf 0° und Potentiometer auf 450° einzustellen.

## ⑥ OUT VOL ADJ-Potentiometer

Mit diesem Regler wird der Bereich der an Pin 4 der sechspoligen **EXT CONTROL**-Buchse anliegenden Spannung voreingestellt. Damit wird der A/D-Konverter der als Zubehör erhältlichen Computersteuerung **GS-232A** geeicht.

## ⑦ Buchse für die Steuerleitung des Rotors

An dieser sechspoligen Buchse ist die mitgelieferte Steuerleitung für den Rotor anzuschließen.

## ⑧ Sicherungshalter

In diese Fassung ist eine 1-A-Sicherung für eine Wechselspannung zwischen 220 und 240 V zu stecken. Beim Auswechseln der Sicherung darf nur eine neue Sicherung mit diesen Kenndaten verwendet werden. Ihr Yaesu-Händler hält passende Sicherungen für Sie bereit.

## ⑨ Wechselstromkabel

Schließen Sie dieses Kabel an der Netzsteckdose (220 bis 240 V) an.

# Hinweise zur Antenne

Sie können nahezu jede Antenne mit diesem Rotor drehen. Ausschlaggebend sind lediglich die Antennenform, die örtlichen Gegebenheiten und die maximal zu erwartenden Windgeschwindigkeiten in Ihrer Gegend.

Auf den folgenden Seiten sollen einige typische Antennen beschrieben werden, die mit dem **G-1000DXC** oder **G-2800DXC** betrieben werden können. Dabei wird von einer maximalen Windgeschwindigkeit von 30 Metern pro Sekunde ausgegangen. **Zur Vorsicht sollten Sie jedoch mit Windböen von mindestens 40 Metern pro Sekunde oder anderen Gegebenheiten rechnen, die möglicherweise die Sicherheit Ihrer Anlage beeinflussen könnten.**

## ANTENNEN MIT STANDROHR

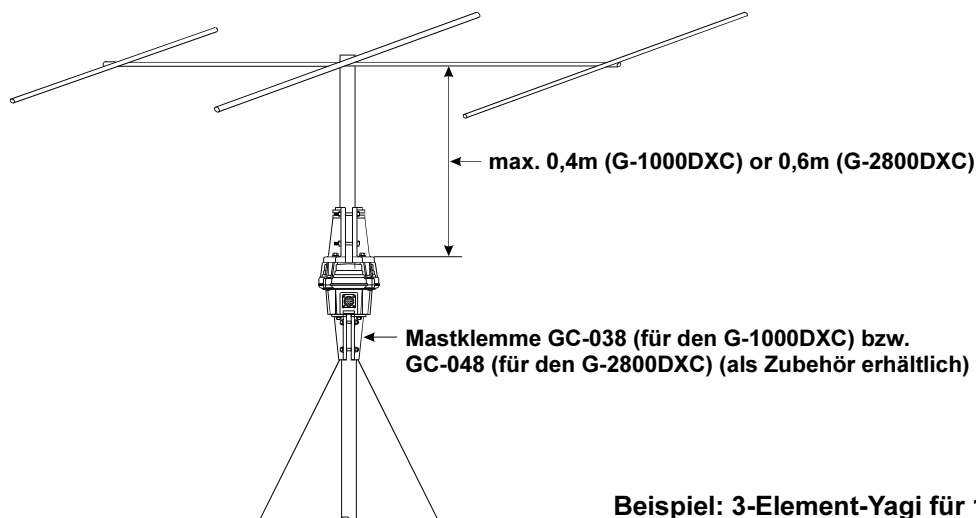
Wenn Sie den Rotor samt Antenne auf ein Standrohr oder einen einfachen Mast setzen, darf die verwendete Antenne aufgrund der enormen Biegekräfte, die auf die Halterung des Rotors einwirken, eine bestimmte Größe nicht überschreiten. Bei der Standrohrmontage darf das Produkt aus der Windfläche der Antenne in m<sup>2</sup> und der Höhe des Mastes in m **0,45 (G-1000DXC)** bzw. **0,8 (G-2800DXC)** nicht überschreiten. Siehe Tabelle und Abbildung unten.

$$[\text{Windfläche der Antenne}] \times [\text{Höhe des Antennenmastes}] = \mathbf{0,45 \text{ (G-1000DXC)}} \\ \mathbf{0,8 \text{ (G-2800DXC)}}$$

Gewicht und Windfläche Ihrer Antenne entnehmen Sie bitte dem Datenblatt Ihrer Antenne.

**Beispiel** Bei einer 3-Element-Yagi für 14 MHz mit einer Windfläche von 0,7 m<sup>2</sup> (siehe Tabelle 1) darf das Standrohr für die Antenne nicht länger als 0,4 m (0,7 m<sup>2</sup> x 0,4 m = **0,28** = **0,28** [0,45 x 40% Sicherheitsabstand]: beim **G-1000DXC**) bzw. 0,6 m (0,7 m<sup>2</sup> x 0,6 m = **0,42** < **0,48** [0,8 x 40% Sicherheitsabstand] beim **G-2800DXC**) sein.

**Hinweis** Um sicherzugehen, sollten Sie Ihren Rotor für 60 % des für Ihre Antennenanlage berechneten Maximalwertes auslegen.



Beispiel: 3-Element-Yagi für 14 MHz

Typische Windflächen bei Antennen

Band (MHz)	Elements	Area (m <sup>2</sup> )	Band (MHz)	Elements	Area (m <sup>2</sup> )	Band (MHz)	Elements	Area (m <sup>2</sup> )
7	2-element	2.2	28	3-element	0.3	50	4-element	0.25
7	1-element, w/loading coils	0.2	28	4-element	0.42	50	5-element	0.3
7	2-element, w/loading coils	0.6	28	5-element	0.6	50	6-element	0.37
7	3-element, w/loading coils	1.1	28	2-element, Swiss Quad	0.3	50	2-element, Swiss Quad	0.3
14	3-element	0.7	7/14	3-element, trapped	0.5	144	10-element	0.2
14	4-element	1.2	7/14	4-element, trapped	0.8	144	10-element, stacked	0.44
14	5-element	1.7	14/21	3-element, trapped	0.4	144	10-element, x 4	0.95
21	3-element	0.45	14/21	4-element, trapped	0.5	144	10-element, x 4 x 2	2.0
21	4-element	0.6	21/28	3-element, trapped	0.3	430	12-element	0.06
21	5-element	0.8	21/28	4-element, trapped	0.4	430	12-element, stacked	0.12
21	6-element	1.3	14/21/28	3-element, trapped	0.4	430	12-element, x 4	0.3
21	2-element, Swiss Quad	0.3	14/21/28	4-element, trapped	0.5	430	12-element, x 4 x 2	0.6



# Hinweise zur Antenne

## ANTENNEN MIT GITTERMAST

Bei der üblichen Anordnung der Antennen auf einem Gittermast darf die Windfläche nicht mehr als **2,2 m<sup>2</sup> (G-1000DXC)** bzw. **3 m<sup>2</sup> (G-2800DXC)** betragen. Der "K"-Faktor (siehe unten) muß unter **230 (G-1000DXC)** bzw. **950 (G-2800DXC)** liegen. Dabei ist  $K = [\text{Drehradius der Antenne (m)}] \times [\text{Gewicht der Antenne und des Mastes (kg)}]$ .

Drehradius und Gewicht Ihrer Antenne entnehmen Sie bitte dem Datenblatt Ihrer Antenne.

### Beispiel

Im folgenden Beispiel sollen folgende Antennen in gestockter Form auf einem 6-kg-Mast montiert werden.

- (1) 5-Element-Yagi für 14/21/28 MHz, Drehradius 5,6 m, Gewicht 26 kg, Windfläche 0,7 m<sup>2</sup>.
- (2) 3-Element-Yagi für 18 MHz, Drehradius 5,0 m, Gewicht 14 kg, Windfläche 0,7 m<sup>2</sup>.
- (3) 5-Element-Yagi für 50 MHz, Drehradius 2,6 m, Gewicht 4,5 kg, Windfläche 0,3 m<sup>2</sup>.

**Anmerkung:** Das Gesamtgewicht solcher "Tannenbaumkonstruktionen" errechnet sich aus den Einzelgewichten des Mastes für jede Antenne. Dazu ist die jeweilige relative Höhe der Antennen zueinander zu berücksichtigen.

Der **K**-Faktor der gesamten Antennenanlage ist dann die Summe aus den **K**-Faktoren aller drei Antennen.

$K_1 = \mathbf{K}$ -Faktor der 5-Element-Yagi für 14/21/28 MHz.

$K_1 = \text{Drehradius (5,6 m)} \times \text{Gewicht (26 kg + 2 kg)} = 156,8$

↓                      ↓  
Antennengewicht   Mastgewicht (6 kg/3)

$K_2 = \mathbf{K}$ -Faktor der 3-Element-Yagi für 18 MHz.

$K_2 = \text{Drehradius (5,0 m)} \times \text{Gewicht (14 kg + 2 kg)} = 80$

↓                      ↓  
Antennengewicht   Mastgewicht (6 kg/3)

$K_3 = \mathbf{K}$ -Faktor der 5-Element-Yagi für 50 MHz.

$K_3 = \text{Drehradius (2,6 m)} \times \text{Gewicht (5 kg + 2 kg)} = 18,2$

↓                      ↓  
Antennengewicht   Mastgewicht (6 kg/3)

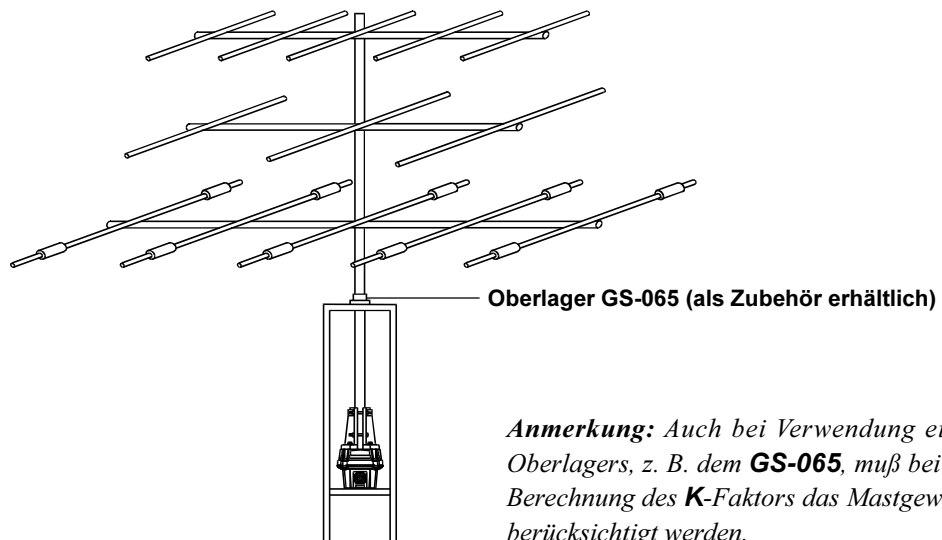
$K_{\text{gesamt}} = K_1 + K_2 + K_3 = 156,8 + 80 + 18,2 = \mathbf{255}$

Die Windfläche der gesamten Antennenanlage beträgt:  $0,7 \text{ m}^2 + 0,7 \text{ m}^2 + 0,3 \text{ m}^2 = \mathbf{1,7 \text{ m}^2}$ .

Der Wert der Windfläche (**1,7 m<sup>2</sup>**) liegt sowohl beim **G-1000DXC** als auch beim **G-2800DXC** unter dem Grenzwert. Der **K**-Faktor (**255**) läßt jedoch nur die Verwendung des **G-2800DXC** zu. Somit dürfte die in dem Beispiel beschriebene Antennenanlage nur mit dem **G-2800DXC** betrieben werden.

### Hinweis

Um sicherzugehen, sollten Sie Ihren Rotor für 60 % des für Ihre Antennenanlage berechneten Maximalwertes auslegen.

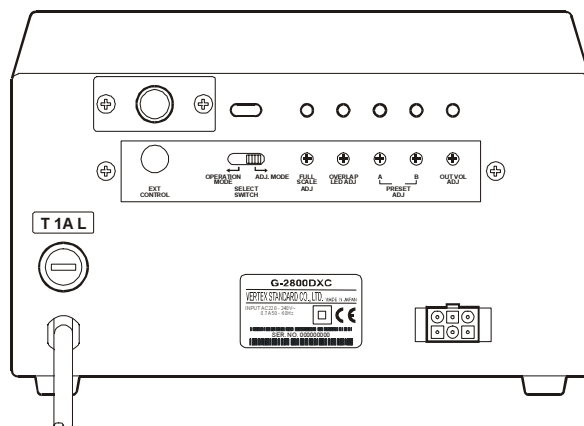


**Anmerkung:** Auch bei Verwendung eines Oberlagers, z. B. dem **GS-065**, muß bei der Berechnung des **K**-Faktors das Mastgewicht berücksichtigt werden.

# Funktionstest und Einstellung bei der Montage

## FUNKTIONSTEST UND EINSTELLUNG VOR DER MONTAGE

1. Schließen Sie provisorisch den Rotor mit Hilfe des Anschlußkabels am Steuergerät an.
2. Drehen Sie den **SPEED**-Regler ganz nach links, und schieben Sie den **SELECT**-Schiebeschalter an der Rückseite auf **ADJ.MODE**.
3. Vergewissern Sie sich, daß sich die **POWER**-Taste am Steuergerät in der "AUS"-Stellung befindet. Schließen Sie dann das Steuergerät über das Netzkabel an der Netzsteckdose Ihrer Station an.
4. Schalten Sie das Steuergerät durch Drücken der **POWER**-Taste ein. Nun müßte das Kontrolllicht am Steuergerät aufleuchten.
5. Drücken Sie die linke Seite (**LEFT**) der Wipptaste, und halten Sie sie gedrückt, bis der Rotor den Endanschlag im Gegenuhrzeigersinn erreicht und dort stehenbleibt. "LEFT" bedeutet dabei ein Drehen des Rotors im Gegenuhrzeigersinn, von oben betrachtet.
6. Wenn der Rotor den linken Endanschlag erreicht hat, lassen Sie die **LEFT**-Taste los. Das Steuergerät müßte nun 0° (N: Nord) anzeigen. Falls die Anzeige nicht auf 0° steht, drehen Sie den runden Ring um das Anzeigefenster um 10° nach links, und nehmen Sie ihn ab. Fassen Sie die Nadel an der Achse, ziehen Sie sie ab und stecken sie bei 0° wieder auf. Setzen Sie dann den Ring wieder auf.
7. Genau über der runden Steckbuchse am Rotor befinden sich zwei erhabene Eichmarkierungen (jeweils eine auf dem rotierenden Teil und eine auf dem feststehenden Teil des Rotors). Diese beiden Markierungen sollten sich genau gegenüberstehen. Sollte dies nicht der Fall sein, bringen Sie jeweils ein Stückchen Klebeband auf dem rotierenden Teil und auf dem feststehenden Teil des Rotors an, und versehen Sie beide mit zwei genau gegenüberliegenden Eichmarkierungen. Diese Markierungen sollen Ihnen helfen, die Weite der Drehung im nächsten Schritt festzustellen.
8. Drücken Sie die rechte Seite (**RIGHT**) der Wipptaste, und halten Sie sie gedrückt, bis sich die Markierung (aus Schritt 7) auf dem rotierenden Teil des Rotors wieder genau gegenüber der Markierung auf dem feststehenden Teil befindet. Nun müßte die Anzeige, die sich ebenfalls um 360° gedreht haben sollte, wieder genau auf 0° stehen. Falls die Anzeige nicht genau auf 0° steht, verstellen Sie mit einem kleinen Schraubenzieher das **FULL SCALE ADJ**-Potentiometer (siehe unten) auf der Rückseite des Gerätes, bis genau 0° angezeigt wird.
9. Drücken Sie nun nochmals die **RIGHT**-Taste, und drehen Sie den Rotor weiter nach rechts. Sobald die 360°-Position überschritten wird, leuchtet die **OVERLAP**-Anzeige auf. Sollte die **OVERLAP**-Anzeige nicht bei 360° aufleuchten, können Sie mit dem **OVERLAP LED ARJ**-Potentiometer auf der Rückseite des Gerätes den Ansprechpunkt für die Anzeige neu einstellen.
10. Überprüfen Sie, ob der Rotor bei etwa 90° (Ost) stehenbleibt, was einem Gesamtdrehbereich von 450° gegenüber der Startposition entspricht.
11. Überprüfen Sie durch mehrmaliges Drücken der **LEFT**- und **RIGHT**-Tasten, ob sich der Rotor in der richtigen Richtung dreht. Ist dies der Fall, so drücken Sie die **LEFT**- bzw. die **RIGHT**-Taste, bis der Rotor auf 90° (Ost) steht.
12. Stellen Sie den **PRESET**-Regler auf 0° (linke Endstellung), und drücken Sie die **START**-Taste. Nun müßte sich der Rotor im Gegenuhrzeigersinn drehen und bei genau 0° stehenbleiben. Sollte dies nicht der Fall sein, verstellen Sie mit einem kleinen Schraubenzieher das **PRESET ADJ A**-Potentiometer auf der Rückseite des Gerätes, bis der Rotor bei genau 0° stehenbleibt.
13. Stellen Sie nun den **PRESET**-Regler auf 90° (rechte Endstellung), und drücken Sie die **START**-Taste. Nun müßte sich der Rotor im Uhrzeigersinn drehen und bei genau 450° (90°, Ost) stehenbleiben. Sollte dies nicht der Fall sein, verstellen Sie mit einem kleinen Schraubenzieher das **PRESET ADJ B**-Potentiometer auf der Rückseite des Gerätes, bis der Rotor bei genau 450° stehenbleibt.
14. Wiederholen Sie 12 und 13 mehrmals, bis die Anzeige so genau ist, daß auch kleine Winkel an den beiden Endpositionen verläßlich eingestellt werden können.
15. Stellen Sie nun den **SELECT**-Schiebeschalter auf der Rückseite des Gerätes in die linke Position (**OPERATION MODE**), und schalten Sie das Gerät mit der **POWER**-Taste aus.
16. Damit ist die Voreinstellung des Rotors und des Steuergerätes abgeschlossen.



Bedienelemente auf der Rückseite des Steuergerätes

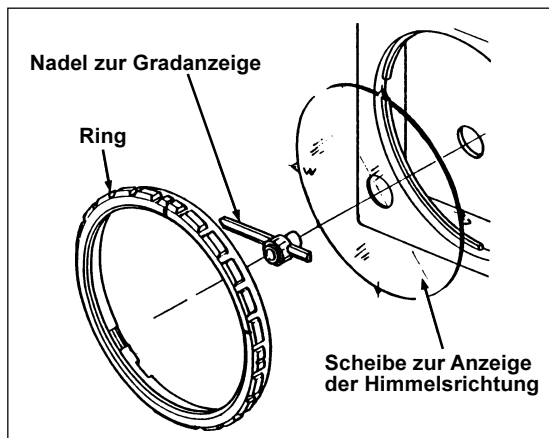
# Funktionstest und Einstellung bei der Montage

## FUNKTIONSTEST UND EINSTELLUNG VOR DER MONTAGE

### Einbau der Skala für die Anzeige der Drehrichtung

Zum Lieferumfang gehört eine runde, durchsichtige Plasticscheibe, auf der die Antennenrichtung angezeigt wird. Diese Scheibe läßt sich so einbauen, daß Norden in beliebiger Position angezeigt wird. Dies ist insbesondere dann praktisch, wenn Sie für die 12-Uhr-Stellung (oder 3 Uhr oder 9 Uhr) der Anzeige Süden anstelle von Norden festlegen wollen. Und so bauen Sie die Richtungsskala ein:

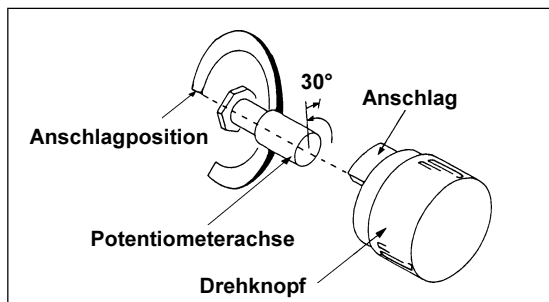
- Drücken Sie die **POWER**-Taste und dann die Wipptaste, bis 0° angezeigt wird (Nadel nach oben). Schalten Sie dann das Gerät durch nochmaliges Drücken der **POWER**-Taste aus.
- Drehen Sie den runden Ring des Anzeigefensters um 10° nach links, und nehmen Sie ihn ab.
- Merken Sie sich die Position der Nadel, fassen Sie die Nadel an der Achse, und ziehen Sie sie ab.
- Legen Sie nun die Richtung fest, die in 12-Uhr-Stellung angezeigt werden soll. Drücken Sie die Skala mit den Himmelsrichtungen gegen die Gradskala, so daß die kleinen Zähne am Scheibenrand die Kante umschließen.
- Setzen Sie dann die Nadel sowie den Ring in der gleichen Stellung wie zuvor ein (siehe Abbildung rechts).



### Eichung des PRESET-Reglers

Diese Eichung ist nur erforderlich, wenn sich die **PRESET**-Regelung nicht mit den **PRESET ADJ A**- und **PRESET ADJ B**-Potentiometern auf der Rückseite des Gerätes einstellen läßt, wie unter 12 bis 14 auf der vorigen Seite beschrieben.

- Ziehen Sie den Drehknopf für den **PRESET**-Regler ab.
- Drehen Sie die Achse des Potentiometers ganz nach links und dann 30° nach rechts.
- Stecken Sie den Drehknopf vorsichtig, ohne das **PRESET**-Potentiometer zu beschädigen, wieder auf die Achse auf. Dabei muß der Anschlag am Drehknopf genau auf das linke Ende des Schlitzes in der Gehäusewand hinter dem Knopf zeigen (siehe Abbildung).
- Nun können Sie die Skala für den **PRESET**-Regler eichen. Gehen Sie dazu vor, wie unter 12 und 13 auf der vorigen Seite beschrieben.



Nach der Eichung müssen Sie den **SELECT**-Schiebeschalter auf der Rückseite des Gerätes in die linke Position (**OPERATION MODE**) schieben.

# Funktionstest und Einstellung bei der Montage

## MONTAGE DES G-1000DXC-ROTOR UND DER ANTENNE AUF EINEM GITTERMAST

**Wichtig!!** Bevor Sie das Drehrohr mit dem Rotor verbinden, müssen Sie ein Loch in den unteren Teil des Rohres bohren. Hier wird später eine Schraube zur Sicherung gegen Verwinden hindurchgeführt.

1. Bohren Sie 50 mm vom unteren Rohrende durch beide Rohrwände ein Loch mit einem Durchmesser von 9 mm (siehe Abbildung 1). Die beiden Löcher müssen exakt einander gegenüberstehen, damit sie mit den Durchführungen in den Klemmbanken übereinstimmen.
2. Nun befestigen Sie den Rotor mit Hilfe der mitgelieferten M8 x 16-Schrauben und Federscheiben auf der Rotorplattform des Mastes. Damit sich die Schrauben später leichter lösen lassen, empfiehlt es sich, die Schraubenspitzen vorher mit Schmierfett einzuschmieren (siehe Abbildung 2).
3. Ein ggf. verwendetes Oberlager, z. B. das als Zubehör erhältliche **GS-065** von Yaesu, kommt auf die Spitze des Mastes (siehe Abbildung 3).
4. Bringen Sie die Mastklemme ① mit Hilfe der mitgelieferten M8 x 25-Schrauben ②, Federscheiben und Unterlegscheiben lose am Rotorgehäuse an (siehe Abbildung 5).
5. Führen Sie das Antennenrohr mit Hilfe eines Hilfsmastes oder einer anderen Hebeeinrichtung von oben durch das Lager in die Masthalterung des Rotors. Befestigen Sie die Mastklemmen lose mit Hilfe der mitgelieferten M8 x 70-Schrauben ③ und Federscheiben.
6. Schieben Sie die mitgelieferte M8 x 95-Schraube ⑤ durch die Mastklemmen und den Mast, und befestigen Sie sie lose mit Hilfe der mitgelieferten Vierkantmutter ⑥.
7. Befestigen Sie lose die Mastschrauben im Oberlager, so daß das Rohr exakt zentrisch läuft. Wenn das Rohr zentriert ist, ziehen Sie die Mastschrauben im Oberlager fest an.
8. Ziehen Sie nun alle Muttern der Mastklemmen außer der Vierkantmutter für die M8 x 95-Schraube, die durch die Masthalterung und den Mast gesteckt ist, fest an. Die Vierkantmutter darf zu diesem Zeitpunkt noch nicht fest angezogen werden.

**Hinweis** Auf einer Seite der Halterung befinden sich auf beiden Seiten der Durchführungs Löcher für die Schrauben kleine Stege. Sie sollen ein Verdrehen der Schrauben verhindern.

**Vorsicht** Die Muttern an den Mastklemmen dürfen nicht zu fest angezogen werden. Ziehen Sie zunächst die Muttern so weit an, daß die Federscheiben flach werden, und drehen Sie sie dann um eine halbe bis maximal eine Umdrehung weiter.

9. Stecken Sie den runden Stecker der Steuerleitung für den Rotor in die seitliche Buchse am Unterteil des Rotors, und schrauben Sie den Steckerring fest. Schieben

Sie den Gummischlauch über den Stecker, und kleben Sie mit leichtem Druck das Ende des Schlauches mit Hilfe von Klebeband am Kabel fest. Durch den leichten Druck auf den Gummischlauch erhöht sich die Wetterfestigkeit des Anschlusses. Befestigen Sie die Steuerleitung mit Hilfe von Klebeband oder UV-beständigen Kabelbindern an mehreren Stellen am Mast.

10. Lassen Sie eine andere Person das Steuergerät auf 0° (Nord) einstellen, entsprechend einer Drehung um 180° im Uhrzeigersinn von der linken Anschlagposition. Achten Sie beim Drehen des Rotors darauf, daß die M8 x 95-Schraube nicht zwischen Rohr und Masthalterung eingeklemmt wird. Wenn Sie feststellen, daß die Schraube eingeklemmt wird, halten Sie den Rotor an, und verändern Sie die Einstellungen am Oberlager und/oder an der Masthalterung. Wenn die Schraube nicht eingeklemmt wird, können Sie die Vierkantmutter fest anziehen.
11. Damit sich die Antenne über den gesamten 450° großen Drehbereich drehen kann, ohne daß das Koaxialkabel sich spannt, müssen Sie eine genügende Reserve für das Kabel vorsehen (siehe Abbildung 8). Befestigen Sie das Koaxialkabel mit Hilfe von Klebeband oder UV-beständigen Kabelbindern am Mast.
12. Damit ist die Montage abgeschlossen. Falls bei der Antennenmontage die Melaminharzbeschichtung angekratzt wurde, empfiehlt es sich, mehrere Schichten von klarem Acryllack als Korrosionsschutz aufzutragen. Wenn Sie mit der Montage fertig sind, sollten Sie die Anlage testen, indem Sie den Rotor über den gesamten Drehbereich drehen lassen. Am besten lassen Sie sich dabei von einer zweiten Person helfen, so daß der Drehvorgang sofort unterbrochen werden kann, wenn Sie bei der Überprüfung feststellen, daß etwas behindert oder eingeklemmt wird oder das Koaxialkabel zu kurz ist.

### Hinweis zur Montage

Falls bei einem auf dem Dach stehenden Mast das Tragrohr zwischen der Mastspitze und der Antenne lang ist, sollten Sie ein Oberlager vorsehen. Die Oberlager **GS-050** und **GS-065** von Yaesu besitzen Ösen zum Befestigen von Abspannseilen. Beim Abspannen eines Mastes mit Hilfe von Seilen kann es passieren, daß das Oberlager und der Rotor nicht mehr senkrecht übereinander stehen. Damit der Mast genau senkrecht steht, müssen Sie daher ggf. die Mastbefestigung am Dachstuhl und die Abspannung korrigieren.

# Funktionstest und Einstellung bei der Montage

## MONTAGE DES G-1000DXC-ROTORS UND DER ANTENNE AUF EINEM GITTERMAST

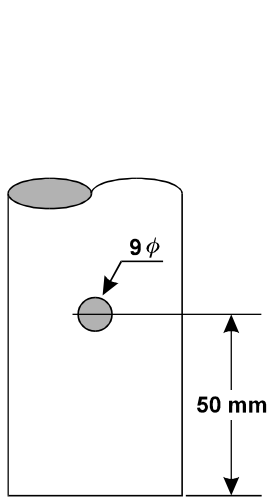


Abbildung 1

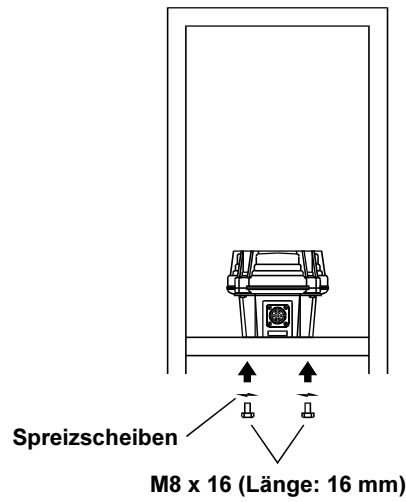


Abbildung 2

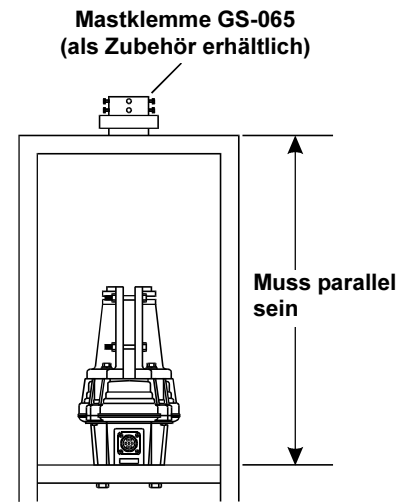


Abbildung 3

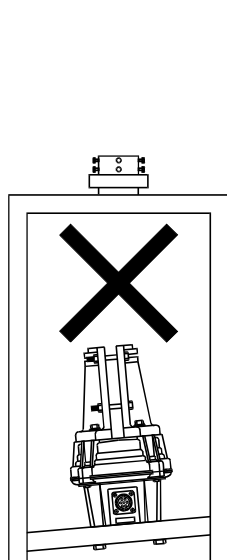


Abbildung 4

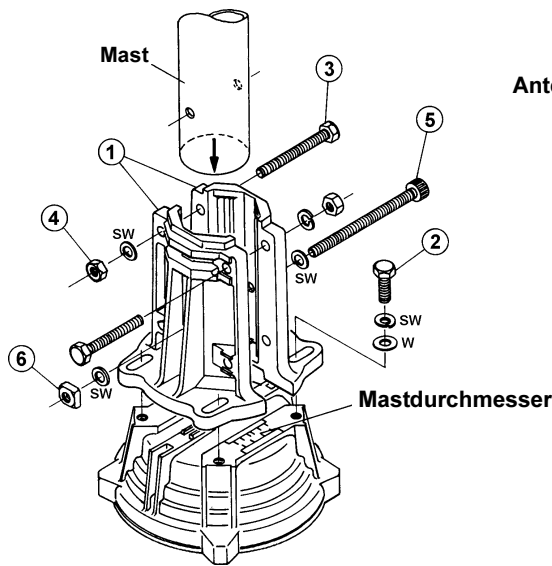


Abbildung 5

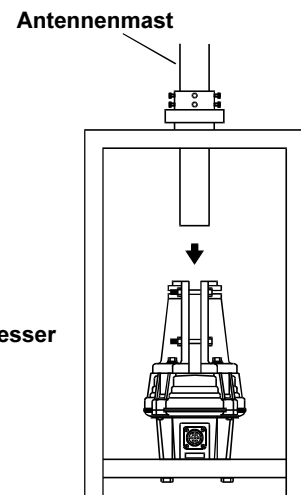


Abbildung 6

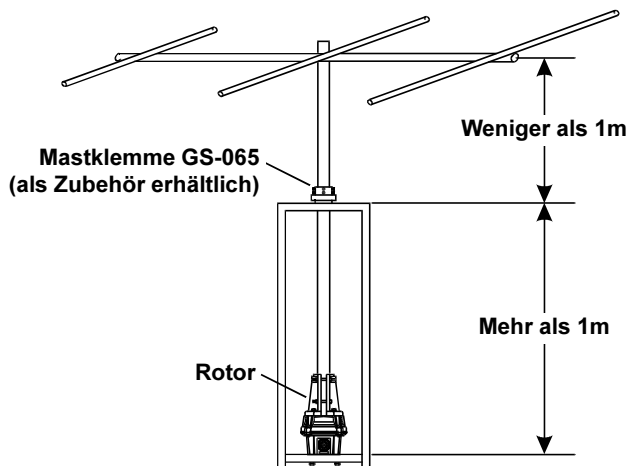


Abbildung 7

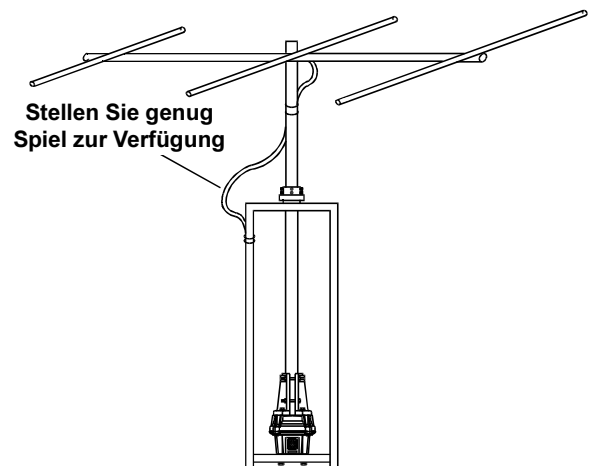


Abbildung 8

Deutsch

# Funktionstest und Einstellung bei der Montage

## MONTAGE DES G-2800DXC-ROTOR UND DER ANTENNE AUF EINEM GITTERMAST

**Wichtig!!** Bevor Sie das Drehrohr mit dem Rotor verbinden, müssen Sie ein Loch in den unteren Teil des Rohres bohren. Hier wird später eine Schraube zur Sicherung gegen Verwinden hindurchgeführt.

1. Bohren Sie 82 mm vom unteren Rohrende durch beide Rohrwände ein Loch mit einem Durchmesser von 9 mm (siehe Abbildung 9). Die beiden Löcher müssen exakt einander gegenüberstehen, damit sie mit den entsprechenden Durchführungen in den Klemmbacken übereinstimmen.
2. Nun befestigen Sie den Rotor mit Hilfe der mitgelieferten M8 x 18-Schrauben und Federscheiben auf der Rotorplattform des Mastes. Damit sich die Schrauben später leichter lösen lassen, empfiehlt es sich, die Schraubenspitzen vorher mit Schmierfett einzuschmieren (siehe Abbildung 10).
3. Ein ggf. verwendetes Oberlager, z. B. das als Zubehör erhältliche **GS-065** von Yaesu, kommt auf die Spitze des Mastes (siehe Abbildung 11).
4. Bringen Sie die Mastklemme ① mit Hilfe der mitgelieferten M8 x 30-Schrauben ②, Federscheiben und Unterlegscheiben lose am Rotorgehäuse an (siehe Abbildung 13).
5. Führen Sie das Antennenrohr mit Hilfe eines Hilfsmastes oder einer anderen Hebeeinrichtung von oben durch das Lager in die Masthalterung des Rotors. Befestigen Sie die Mastklemmen lose mit Hilfe der mitgelieferten M8 x 70-Schrauben ③, Federscheiben und Unterlegscheiben.
6. Schieben Sie die mitgelieferte M8 x 95-Schraube ⑤ durch die Mastklemmen und den Mast, und befestigen Sie sie lose mit Hilfe der mitgelieferten Mutter ⑥.
7. Befestigen Sie lose die Mastschrauben im Oberlager, so daß das Rohr exakt zentrisch läuft. Wenn das Rohr zentriert ist, ziehen Sie die Mastschrauben im Oberlager fest an.

### Hinweis

Auf einer Seite der Halterung befinden sich auf beiden Seiten der Durchführungs Löcher für die Schrauben kleine Stege. Sie sollen ein Verdrehen der Schrauben verhindern.

8. Ziehen Sie nun alle Muttern der Mastklemmen außer der Mutter für die M8 x 95-Schraube, die durch die Masthalterung und den Mast gesteckt ist, fest an. Diese Mutter darf zu diesem Zeitpunkt noch nicht fest angezogen werden.

### Vorsicht

Die Muttern an den Mastklemmen dürfen nicht zu fest angezogen werden. Ziehen Sie zunächst die Muttern so weit an, daß die Federscheiben flach werden, und drehen Sie sie dann um eine halbe bis maximal eine Umdrehung weiter.

9. Stecken Sie den runden Stecker der Steuerleitung für den Rotor in die seitliche Buchse am Unterteil des Ro-

tors, und schrauben Sie den Steckerring fest. Schieben Sie den Gummischlauch über den Stecker, und kleben Sie mit leichtem Druck das Ende des Schlauches mit Hilfe von Klebeband am Kabel fest. Durch den leichten Druck auf den Gummischlauch erhöht sich die Wetterfestigkeit des Anschlusses. Befestigen Sie die Steuerleitung mit Hilfe von Klebeband oder UV-beständigen Kabelbindern an mehreren Stellen am Mast.

10. Lassen Sie eine andere Person das Steuergerät auf 0° (Nord) einstellen, entsprechend einer Drehung um 180° im Uhrzeigersinn von der linken Anschlagposition. Achten Sie beim Drehen des Rotors darauf, daß die M8 x 95-Schraube nicht zwischen Rohr und Masthalterung eingeklemmt wird. Wenn Sie feststellen, daß die Schraube eingeklemmt wird, halten Sie den Rotor an, und verändern Sie die Einstellungen am Oberlager und/oder an der Masthalterung. Wenn die Schraube nicht eingeklemmt wird, können Sie die Mutter fest anziehen.
11. Damit sich die Antenne über den gesamten 450° großen Drehbereich drehen kann, ohne daß das Koaxialkabel sich spannt, müssen Sie eine genügende Reserve für das Kabel vorsehen (siehe Abbildung 16). Befestigen Sie das Koaxialkabel mit Hilfe von Klebeband oder UV-beständigen Kabelbindern am Mast.
12. Damit ist die Montage abgeschlossen. Falls bei der Antennenmontage die Melaminharzbeschichtung angekratzt wurde, empfiehlt es sich, mehrere Schichten von klarem Acryllack als Korrosionsschutz aufzutragen. Wenn Sie mit der Montage fertig sind, sollten Sie die Anlage testen, indem Sie den Rotor über den gesamten Drehbereich drehen lassen. Am besten lassen Sie sich dabei von einer zweiten Person helfen, so daß der Drehvorgang sofort unterbrochen werden kann, wenn Sie bei der Überprüfung feststellen, daß etwas behindert oder eingeklemmt wird oder das Koaxialkabel zu kurz ist.

### Hinweis zur Montage

Falls bei einem auf dem Dach stehenden Mast das Tragrohr zwischen der Mastspitze und der Antenne lang ist, sollten Sie ein Oberlager vorsehen. Die Oberlager **GS-050** und **GS-065** von Yaesu besitzen Ösen zum Befestigen von Abspannseilen. Beim Abspannen eines Mastes mit Hilfe von Seilen kann es passieren, daß das Oberlager und der Rotor nicht mehr senkrecht übereinander stehen. Damit der Mast genau senkrecht steht, müssen Sie daher ggf. die Mastbefestigung am Dachstuhl und die Abspannung korrigieren.

# Funktionstest und Einstellung bei der Montage

## MONTAGE DES G-2800DXC-ROTORS UND DER ANTENNE AUF EINEM GITTERMAST

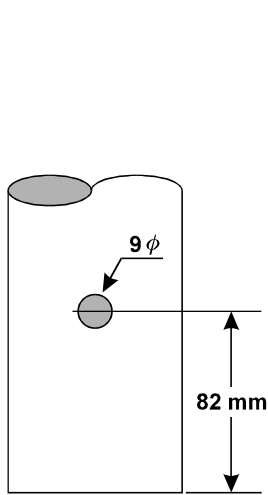


Abbildung 9

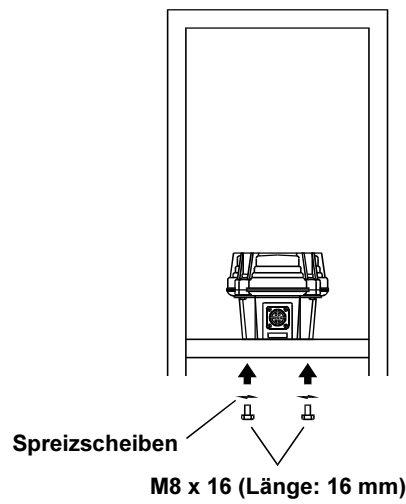


Abbildung 10

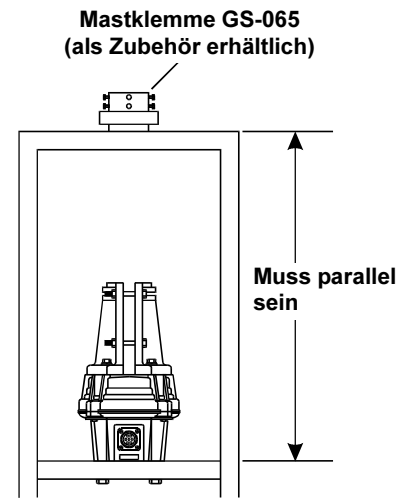


Abbildung 11

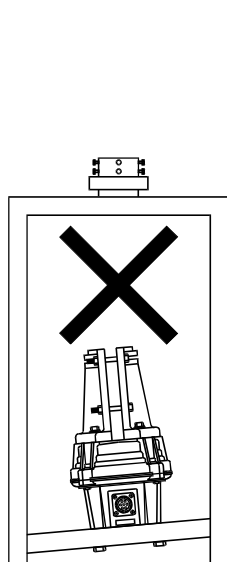


Abbildung 12

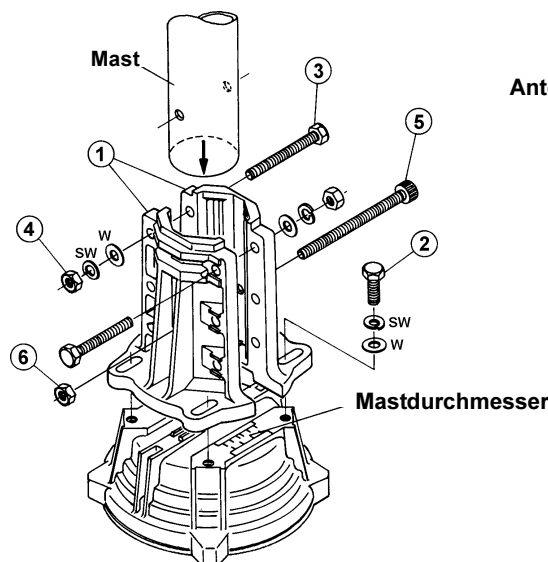


Abbildung 13

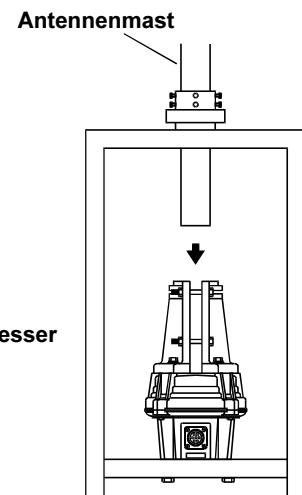


Abbildung 14

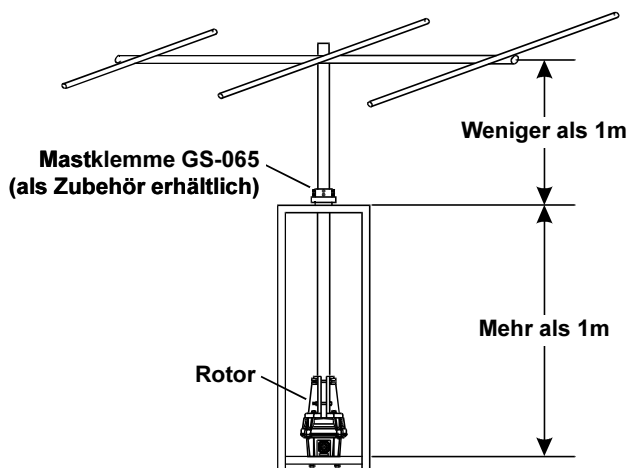


Abbildung 15

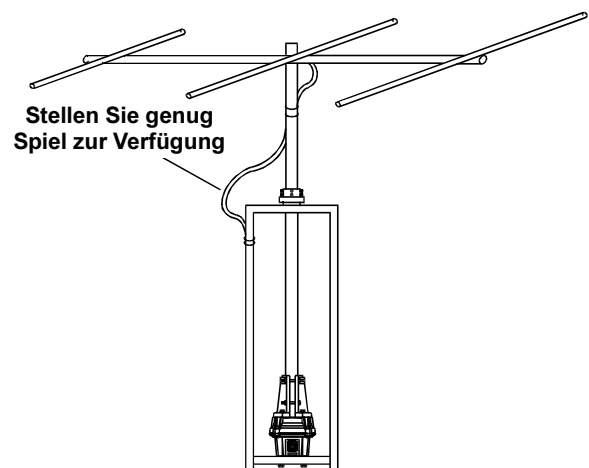


Abbildung 16

Deutsch

# Wichtig!

Die Montage einer drehbaren Antennenanlage auf einem Mast ist stets eine gefährliche, unter Umständen lebensgefährliche Aufgabe. Sie erfordert daher ein sehr umsichtiges und vorsichtiges Vorgehen.

Ein Mast darf nie so aufgestellt werden, daß er mit Stromleitungen in Berührung kommen kann, wenn er einmal bei einem Sturm umfallen sollte.

Bei einem Blitzschlag können über die Steuerleitung des Rotors lebensgefährliche Spannungen ins Haus geleitet werden. Yaesu empfiehlt nachdrücklich den Einbau von Blitzschutzautomaten in allen Steuer- und Koaxialkabeln Ihrer Antennenanlage. Ihr Händler gibt Ihnen gerne weitere Informationen zu Blitzschutzeinrichtungen.

Wenn in Ihrer Gegend ein Gewitter aufzieht, ziehen Sie sofort die Steuerleitung an der Rückseite des Steuergerätes ab, und ziehen Sie das Netzkabel aus der Steckdose. Ziehen Sie außerdem das von der Antenne kommende Koaxialkabel ab. *Dabei darf sich allerdings das Gewitter nicht in Ihrer unmittelbaren Umgebung befinden, da sonst Gefahr besteht, daß Sie durch einen Blitzschlag getroffen werden, wenn Sie gerade das Kabel in der Hand halten.*

Wenn Sie sich nicht absolut sicher sind, die Montagearbeiten für Ihren Rotor selbst durchführen zu können, sollten Sie lieber ein professionelles Unternehmen mit der Montage beauftragen.



# Technische Daten

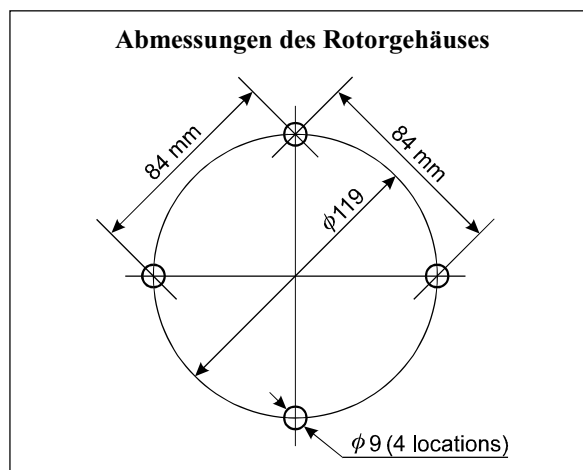
	<b>G-1000DXC</b>	<b>G-2800DXC</b>
<b>Versorgungsspannung:</b>	220-240 V Wechselspannung, 50-60 Hz	220-240 V Wechselspannung, 50-60 Hz
<b>Stromverbrauch:</b>	0,5 A	0,7 A
<b>Rotorspannung:</b>	11-24 V Gleichspannung	11-24 V Gleichspannung
<b>Umlaufzeit 360° (ohne Belastung):</b>	100 ± 10 s bis 40 ± 5 s (einstellbar)	120 ± 10 s bis 50 ± 5 s (einstellbar)
<b>Drehwinkel:</b>	450° ± 3°	450° ± 3°
<b>Drehmoment (bei 230 V Wechselspannung):</b>	60 bis 110 Nm	80 bis 250 Nm
<b>Bremsmoment:</b>	600 Nm	2500 Nm
<b>Tragfähigkeit:</b>	max. 200 kg (dauernd) 800 kg (kurzzeitig)	max. 300 kg (dauernd) 1200 kg (kurzzeitig)
<b>äußerer Mastdurchmesser:</b>	φ 38 to φ 63	φ 48 to φ 63
<b>Art der Bremse:</b>	mechanische und elektrische Sperren	mechanische und elektrische Sperren
<b>K-Faktor der Antenne:</b>	max. 230	max. 950
<b>Windfläche:</b>	max. 0,75 m <sup>2</sup> x 0,6 m (Standrohrmontage) max. 2,2 m <sup>2</sup> (Mastmontage)	max. 1 m <sup>2</sup> x 0,8 m (Standrohrmontage) max. 3 m <sup>2</sup> (Mastmontage)
<b>maximaler Dauerbetrieb:</b>	3 Minuten	3 Minuten
<b>Betriebstemperatur:</b>	0 °C bis +40 °C (Steuergerät) -10 °C bis +40 °C (Rotor)	0 °C bis +40 °C (Steuergerät) -10 °C bis +40 °C (Rotor)
<b>Abmessungen des Rotors:</b>	φ 186 x 300 mm	φ 200 x 345 mm
<b>Gewicht des Rotors:</b>	ca. 3,6 kg	ca. 6,5 kg
<b>Abmessungen des Steuergerätes:</b>	200 (B) x 130 (H) x 193 (T) mm	200 (B) x 130 (H) x 193 (T) mm
<b>Gewicht des Steuerteils:</b>	ca. 2,8 kg	ca. 3,8 kg

Dieses Gerät entspricht den folgenden Normen:

EMV-Richtlinie 89/336/EEC: EN50081-1 und EN50082-1

LVD 73/23 EEC: EN60065

Änderungen der technischen Daten ohne vorherige Ankündigung bleiben vorbehalten.



Deutsch

# Mitgeliefertes und zusätzliches Zubehör

## MITGELIEFERTE EINZELTEILE

Überprüfen Sie bitte beim Auspacken die Liste der mitgelieferten Einzelteile auf Vollständigkeit:

<b>G-1000DXC</b>	<b>MENGE</b>	<b>G-2800DXC</b>	<b>MENGE</b>
Steuergerät	1	Steuergerät	1
Rotor	1	Rotor	1
Mastklemmen	1 Paar	Mastklemmen	1 Paar
Anschlußkabel (25 m, 6adrig)	1	Anschlußkabel (40 m, 6adrig)	1
M8 x 95 mm Schraube für die Abdeckung	1	M8 x 95 mm Schraube für die Abdeckung	1
M8 x 16 mm Sechskantschrauben	4	M8 x 18 mm Sechskantschrauben	4
M8 x 25 mm Sechskantschrauben	4	M8 x 30 mm Sechskantschrauben	4
M8 x 70 mm Sechskantschrauben	4	M8 x 70 mm Sechskantschrauben	6
Spreizscheiben	14	Spreizscheiben	14
Unterlegscheiben	4	Unterlegscheiben	10
M8 Muttern	4	M8 Muttern	7
Vierkantmutter	1	Ersatzsicherung	1 (1A)
Ersatzsicherung	1 (1A)	Skala für die Anzeige der Drehrichtung	1
Skala für die Anzeige der Drehrichtung	1		

*Im Falle von Verlusten oder Beschädigungen bewahren Sie die gesamte Packung auf, und benachrichtigen Sie das Transportunternehmen oder den Händler, bei dem Sie das Gerät gekauft haben.*

## ZUSÄTZLICHES ZUBEHÖR

<b>GC-038</b>	Mastklemme (für den <b>G-1000DXC</b> )
<b>GC-048</b>	Mastklemme (für den <b>G-2800DXC</b> )
<b>GS-050</b>	Oberlager (für 50-mm-Rohr)
<b>GS-065</b>	Oberlager (für 65-mm-Rohr)
<b>GS-232A</b>	Computersteuerung (RS-232C seriell)
<b>G-40MWP</b>	Steuerleitung (40 m; für den <b>G-1000DXC</b> )
<b>GA-2500</b>	Ausgleichsstück (für den <b>G-1000DXC</b> )
<b>GA-3000</b>	Ausgleichsstück (für den <b>G-2800DXC</b> )



## G-1000DXC/G-2800DXC

# Moteurs d'antenne & boîtiers de commande de haut niveau

Les moteurs Yaesu **G-1000DXC** et **G-2800DXC** sont prévus pour assurer la rotation de grands systèmes d'antennes installés sur pylône tant dans le domaine amateur que dans le domaine professionnel avec un système de commande situé à la station. La coque bipolaire du moteur utilise 100 roulements à billes de 1 cm répartis en deux anneaux imbriqués pour supporter la charge sur tout le diamètre du logement. Cette disposition minimise la pression et l'usure, et élimine pratiquement la possibilité d'infiltration d'eau car en plus il n'y a aucun ajutage d'air sur la partie supérieure de la coque.

A la place d'un moteur habituel alimenté en alternatif comme sur les vieux moteurs, les **G-1000DXC** et **G-2800DXC** utilisent un moteur à tension d'alimentation variable fonctionnant en continu, supprimant la nécessité d'une grosse capacité pour le lancement et avec, tous les risques de pannes dues aux variations importantes de la température extérieure. Le moteur proprement dit, lubrifié en usine pour toute la durée de sa vie, est enveloppé d'un boîtier en mélange d'aluminium recouvert de résine pour se libérer de toute servitude de maintenance sous tous les climats. Un système de repères pour aligner les mâchoires supportant le mat sur le boîtier du moteur facilite grandement l'installation.

Un boîtier de commande de table esthétique est le digne compagnon des transceivers modernes, et donne sur un indicateur circulaire gradué en 360° l'azimut de la direction de l'antenne. Il est possible de choisir la vitesse de rotation entre 40 et 100 secondes par tour (360°) (**G-1000DXC**, **G-2800DXC**: 50 à 120 secondes par tour (360°), et de prérégler la direction à atteindre pour le moteur, vers laquelle il se positionne automatiquement.

Sur le modèle **G-2800DXC**, quand une vitesse de rotation rapide a été choisie, des fonctions spéciales "Auto accélération lente" et "Auto freinage souple" permettent d'éviter des coups de boutons de lancement et d'arrêt sur les antennes et pylônes. Le démarrage du moteur se fait donc doucement. Quand l'antenne approche de la direction souhaitée elles ralentit automatiquement avant de s'arrêter doucement. L'opérateur peut choisir la ligne d'arrêt (la direction que ne peut dépasser le moteur) qui convient le mieux à sa localisation et à son trafic, permettant ainsi une rotation couvrant la direction Nord, ou la direction Sud ou les deux à la fois. Dans tous les cas, une rotation supplémentaire de 90° permet de passer à travers la ligne d'arrêt choisie (450° de rotation au total).

Le moteur est prévu pour être monté dans une cage sur le pylône (non fourni), à 1 mètre du sommet du pylône, avec un palier de soutien au dessus (modèle **GS-680U** de Yaesu). Ce kit comprend une fixation de mat et tout l'accastillage complémentaire, plus les connecteurs pour le moteur et le boîtier de commande pour faciliter l'installation et la maintenance. Le câble de commande **G-40MWP** de 40 m de long est optionnel.

L'interface de commande par ordinateur **GS-232A** est disponible en option et permet le positionnement de l'antenne via un ordinateur personnel, sur une prise série RS-232.

Merci de lire attentivement et en totalité la présente notice avant de procéder à l'installation du moteur, pour prendre connaissance des procédures de montage, et pour s'assurer que vous avez tous les éléments pour mener l'installation à bien.

# Utilisation correcte et en toute sécurité de l'équipement

## Signification des symboles



### Warning

Indique que le manquement aux instructions associées à cet avertissement peut causer la mort ou des blessures très sérieuses.



### Caution

Indique que le manquement aux instructions associées à cet avertissement peut causer des blessures ou des dégâts physiques.

## Signification des symboles utilisés dans les schémas



Indique que les instructions associées doivent toujours être respectées pour une utilisation en toute sécurité de l'équipement.



Indique les utilisations risquées qui ne doivent jamais être effectuées.



## Warning



Merci de lire cette notice d'utilisation intégralement pour vous familiariser avec les procédures correctes d'installation. L'installation de ce produit implique un travail en hauteur. Exécuter une tâche dans ces conditions inhabituelles rend le risque de chute très important. De même, en cas de chute lors de l'installation du moteur en plus des conséquences mortelles pour les personnes, les antennes et les équipements associés peuvent être sérieusement endommager ainsi que les maisons ou propriétés environnantes. Accorder toujours la plus grande priorité aux dispositions de sécurité, avant de commencer un travail.



Vérifier que la taille de l'antenne qui sera installée sur ce moteur correspond aux spécifications précisées dans cette notice (surtout la surface de résistance au vent). L'installation d'une antenne dont les caractéristiques seront supérieures aux spécifications du moteur pourra être, en cas d'accident, à l'origine des sérieux dommages sur l'antenne et les équipements associés ainsi que les maisons ou propriétés environnantes.



Lors de votre intervention en hauteur, assurez vous qu'il n'y a personne au niveau du sol juste en dessous. La chute d'outils, d'écrous et de toute autre chose peut être à l'origine d'accidents graves sinon mortels.



Quand vous travaillez en hauteur portez **toujours** un harnais de sécurité. Tout manquement à cette règle peut être à l'origine d'accidents graves sinon mortels.



S'assurer que tous les écrous et autres pièces de fixation soient bien serrés. Tout manquement dans le serrage des écrous et autres pièces de fixation pourra être, en cas d'accident, à l'origine des sérieux dommages sur l'antenne et les équipements associés ainsi que les maisons ou propriétés environnantes.



Ne jamais démonter ni modifier l'équipement.

# Utilisation correcte et en toute sécurité de

## l'équipement



## Caution



Lors de l'installation de ce produit, faire attention de ne pas se coincer les doigts entre deux pièces métalliques ni de se couper sur les bordures des pièces.



Si l'environnement de l'équipement est anormal comme une émission de fumée ou une odeur bizarre, continuer à utiliser le matériel risque de causer un incendie ou d'avoir un fonctionnement erratique. Dans ces cas, mettre l'équipement hors tension immédiatement et débrancher le câble d'alimentation. Après avoir vérifié qu'aucune émanation (fumée ou odeur) ne persistait retourner l'équipement chez votre vendeur pour réparation.



Dans le cas où un corps étranger pénètre dans le boîtier de commande, mettre l'équipement hors tension immédiatement et débrancher le câble d'alimentation. Continuer à utiliser le matériel risque de causer un incendie ou d'avoir un fonctionnement erratique.



Ne pas utiliser le produit avec une tension d'alimentation différente de celle précisée dans les spécifications car il y a risque d'incendie ou de décharge électrique.



Si l'équipement ne doit pas être utilisé pendant une longue période, par mesure de sécurité, débrancher le câble d'alimentation de la prise "secteur" ainsi que le câble de commande de la prise du pupitre.



Ne pas utiliser le moteur en continu sur plus de 3 minutes. Il est possible de monter jusqu'à 5 minutes d'utilisation mais après cela il faudra laisser le moteur sur cette position pendant au moins 15 minutes.



Il n'y a rien à régler tant dans le moteur que dans le boîtier de commande; si bien qu'il n'y a jamais lieu d'ouvrir ces éléments.



Ne jamais placer le boîtier de commande en position instable ni sur une surface en pente car il risque de glisser et/ou de tomber et de se détériorer.



Ne jamais déposer des objets lourds sur le câble d'alimentation. Ne jamais plier excessivement ce câble et ne tirer pas non plus sur lui trop rudement. Un câble d'alimentation endommagé peut être à l'origine d'un incendie ou d'un fonctionnement erratique.



Ne jamais mettre le boîtier de commande directement à la lumière du soleil ou vers les radiateurs car il risque de se déformer.



Ne jamais mettre le boîtier de commande dans un environnement humide ou poussiéreux car il peut être à l'origine d'un incendie ou d'un fonctionnement erratique.



Ne jamais mettre le boîtier de commande dans un endroit fermé et peu ventilé comme une bibliothèque car il peut être à l'origine d'un incendie ou d'un mauvais fonctionnement.



Ne jamais mettre le boîtier de commande sur un tapis ou un couchage car il peut être à l'origine d'une surchauffe et partant d'un incendie.



Ne jamais déposer des objets lourds sur le boîtier de commande car il risque de tomber et de se détériorer.



Ne jamais déposer de petits objets métalliques comme des agrafes sur le boîtier de commande car ils peuvent tomber dedans et causer un incendie ou un mauvais fonctionnement.

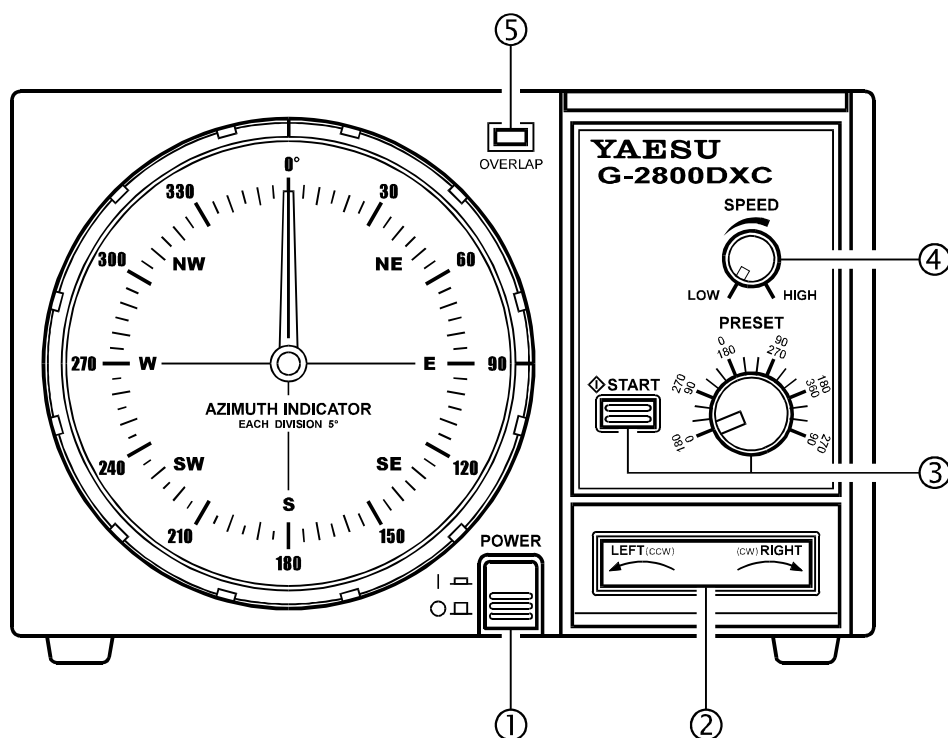


Ne pas nettoyer le boîtier de commande avec des solvants comme le benzène car cela peut endommager celui-ci (formes et couleurs). Pour nettoyer le boîtier de commande, le faire doucement avec un chiffon humecté d'un détergent neutre et l'essuyer avec un chiffon sec.



Ne pas mettre sous tension l'alimentation avant l'installation complète du moteur et du boîtier de commande.

# Face avant du boîtier de commande



## ① Commutateur **POWER**

Appuyer sur ce commutateur pour mettre sous tension le boîtier de commande pour tourner l'antenne. Le mettre hors tension quand le moteur n'est pas en utilisation.

## ② Commutateur instable **LEFT/RIGHT**

Appuyer sur le côté **GAUCHE (LEFT)** de ce commutateur pour tourner l'antenne vers la gauche. Appuyer sur le côté **DROIT (RIGHT)** pour tourner l'antenne vers la droite.

## ③ Commande **PRESET** et Commutateur **START**

Mettre la commande **PRESET** sur la direction à faire prendre à l'antenne sur l'échelle centrale (0 ~ 90) autour de cette commande, puis appuyer sur le commutateur (instable) **START** pour lancer la rotation automatique vers la position désirée. Vous pouvez appuyer sur le commutateur **LEFT/RIGHT** pour annuler la mise en direction automatique.

*Note:* Si vous changez la position de départ du moteur sur le 180° (S: Sud), mettre la commande **PRESET** sur la direction à faire prendre à l'antenne sur l'échelle périphérique (180 ~ 270) autour de cette commande.

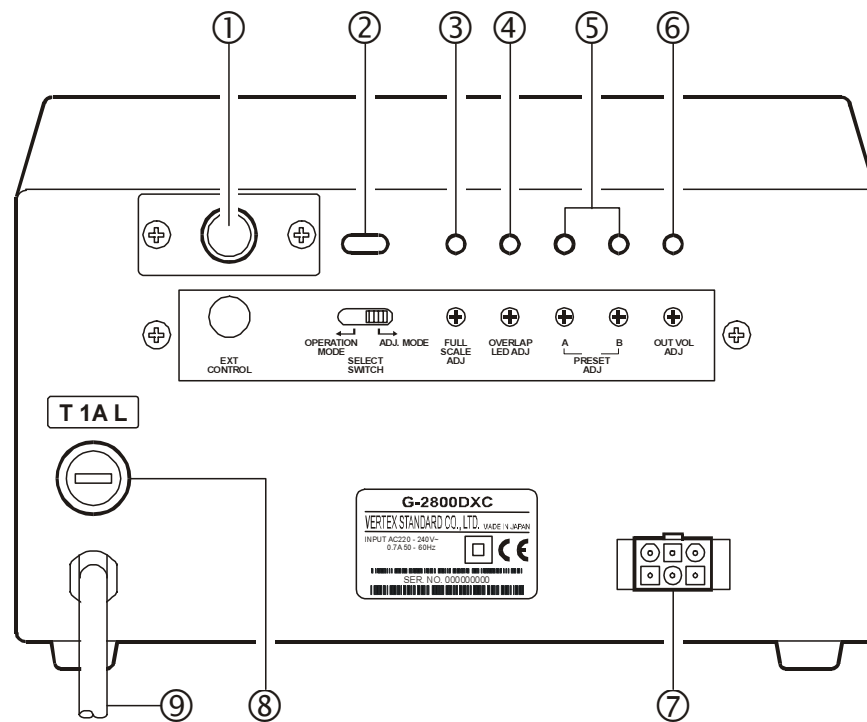
## ④ Commande **SPEED**

Mettre cette commande sur la vitesse de rotation souhaitée approximativement entre 30 et 100 secondes pour 360° de révolution.

## ⑤ Indicateur **OVERLAP**

Cette LED rouge est allumée quand l'antenne est en train de tourner au delà de 360° (450°) à partir de la position la plus à gauche. Vérifier cet indicateur avant de faire tourner votre antenne vers la droite, et si l'indicateur est allumé faire la mise en direction en tournant vers la gauche.

# Panneau arrière du boîtier de commande



- ① Connecteur **EXT CONTROL**  
Ce connecteur mini DIN à 6 broches permet la connexion avec l'interface **GS-232A**.
- ② Commutateur **SELECT**  
Mettre ce commutateur sur la position "**ADJ. MODE**" pour faire les réglages internes du boîtier de commande. En utilisation normale, mettre ce commutateur sur la position "**OPERATION MODE**".
- ③ Potentiomètre **FULL SCALE ADJ**  
Cette commande ajuste l'angle de rotation maximum (plage) de l'aiguille qui donne l'azimut sur l'angle maximum de rotation du moteur.
- ④ Potentiomètre **OVERLAP LED ADJ**  
Cette commande ajuste l'indicateur **OVERLAP** pour qu'il corresponde à l'indication de l'aiguille donnant l'azimut.
- ⑤ Potentiomètres **PRESET ADJ (A & B)**  
Ces commandes ajustent l'angle de la commande **PRESET** de la face avant pour qu'il corresponde à l'indication de l'aiguille donnant l'azimut. Le Pot. **A** doit être réglé uniquement au niveau de la position 0°, et le Pot. **B** vers la position 450°.
- ⑥ Potentiomètre **OUT VOL ADJ**  
Cette commande ajuste la plage de tension sur la broche 4 du connecteur mini DIN 6 broches **EXT CONTROL**, pour calibrer le convertisseur A/D sur l'interface optionnelle **GS-232A**.
- ⑦ Prise du câble de commande du Moteur  
Le câble de commande du moteur fourni se branche sur cette prise 6 broches.
- ⑧ Porte fusible  
Ce porte fusible est destiné à un fusible de 1 A pour 220 à 240V AC. Si le fusible fond, le remplacer uniquement par un fusible de même caractéristiques. Voir votre vendeur Yaesu pour un remplacement adapté.
- ⑨ Câble d'alimentation AC  
Brancher ce câble sur le secteur en 220 - 240V AC.

# Considérations concernant les Antennes

Les différents types d'antennes que l'on peut monter sur ce produit sont très nombreux, en fonction du type d'installation, de la nature du terrain en local, et de la vitesse maximum des vents prévisible dans votre région.

Les pages qui suivent présentent des antennes type dont l'installation est acceptable avec le **G-1000DXC** ou le **G-2800DXC**. Les informations ci-dessous prévoit des vitesses de vent maximum de 30 mètres par seconde, et *il est conseillé d'inclure une marge de sécurité d'au moins 40% pour tenir compte de rafales de vents plus élevées que la vitesse moyenne ou tout autres facteurs qui peuvent potentiellement causer des dommages à votre installation.*

## ANTENNES MONTÉES SUR UN MAT

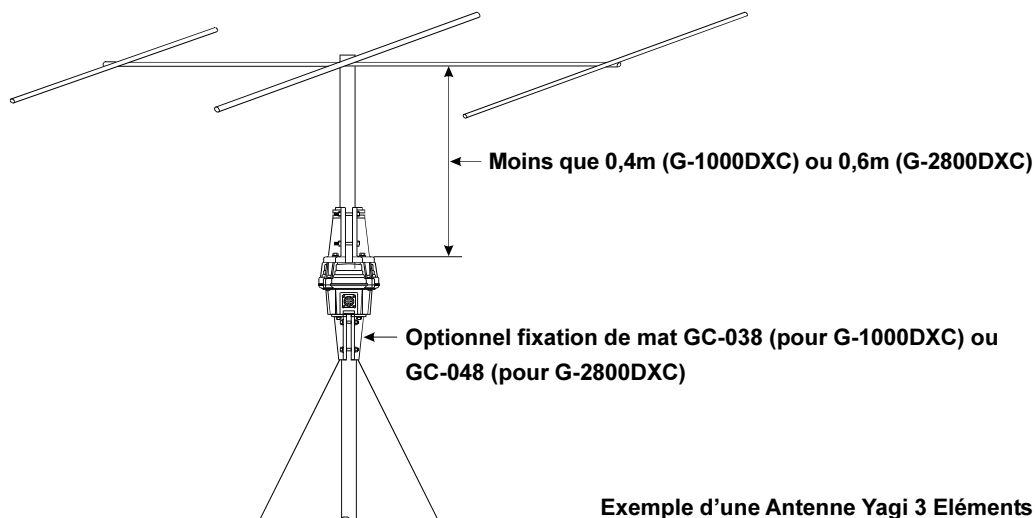
En montant un moteur sur une perche ou un mat il y a une réduction importante de la taille de l'antenne qui peut être montée, du aux forces de torsions très importantes appliquées aux fixations du moteur. Pour un montage sur mat, le résultat de la multiplication de [la surface de résistance au vent de l'antenne (en m<sup>2</sup>)] par la [hauteur du mat en mètre (en m)] doit être inférieur à **0,45 (G-1000DXC)** ou **0,8 (G-2800DXC)**. Voir ci dessous le tableau et la figure.

$$[\text{Surface de résistance au vent de l'antenne}] \times [\text{hauteur du mat}] = \mathbf{0.45 \text{ (G-1000DXC)}} \\ \mathbf{0.8 \text{ (G-2800DXC)}}$$

Pour retrouver les données concernant les antennes consulter les fiches techniques éditées par les constructeurs.

**Example** pour une Yagi de 3 éléments sur 14 MHz d'une surface de 0,7 m<sup>2</sup> (voir Tableau 1), les spécifications précédentes pour un montage sur un mat de 0,4 m (0,7 m<sup>2</sup> x 0,4 m = **0,28** = **0.28** [0,45 x 40% marge de sécurité]: **G-1000DXC**) ou 0.6 m (0.7 m<sup>2</sup> x 0.6 m = **0.42** < **0.48** [0.8 x 40% marge de sécurité]: **G-2800DXC**).

**Attention** Nous recommandons que votre ensemble antennes/mat ne dépasse pas 60% des ratios maximum, pour assurer une marge de sécurité.



Exemple d'une Antenne Yagi 3 Eléments Bande 14 MHz

Surface de résistance au vent pour des antennes communes (type)

Band (MHz)	Elements	Area (m <sup>2</sup> )	Band (MHz)	Elements	Area (m <sup>2</sup> )	Band (MHz)	Elements	Area (m <sup>2</sup> )
7	2-element	2.2	28	3-element	0.3	50	4-element	0.25
7	1-element, w/loading coils	0.2	28	4-element	0.42	50	5-element	0.3
7	2-element, w/loading coils	0.6	28	5-element	0.6	50	6-element	0.37
7	3-element, w/loading coils	1.1	28	2-element, Swiss Quad	0.3	50	2-element, Swiss Quad	0.3
14	3-element	0.7	7/14	3-element, trapped	0.5	144	10-element	0.2
14	4-element	1.2	7/14	4-element, trapped	0.8	144	10-element, stacked	0.44
14	5-element	1.7	14/21	3-element, trapped	0.4	144	10-element, x 4	0.95
21	3-element	0.45	14/21	4-element, trapped	0.5	144	10-element, x 4 x 2	2.0
21	4-element	0.6	21/28	3-element, trapped	0.3	430	12-element	0.06
21	5-element	0.8	21/28	4-element, trapped	0.4	430	12-element, stacked	0.12
21	6-element	1.3	14/21/28	3-element, trapped	0.4	430	12-element, x 4	0.3
21	2-element, Swiss Quad	0.3	14/21/28	4-element, trapped	0.5	430	12-element, x 4 x 2	0.6



# Considérations concernant les Antennes

## ANTENNES MONTÉES SUR UN PYLÔNE

Pour un montage préférable sur un pylône, la surface de résistance au vent de l'antenne doit être de moins de **2.2 m<sup>2</sup> (G-1000DXC)** ou de **3 m<sup>2</sup> (G-2800DXC)**, et le facteur "K" (voir ci-dessous) ne doit pas dépasser **230 (G-1000DXC)** ou **950 (G-2800DXC)**, ou  $K = [\text{rayon de rotation de l'antenne (m)}] \times [\text{poids de l'antenne} + \text{poids du mat (kg)}]$ .

Pour retrouver les données concernant les antennes consulter les fiches techniques éditées par les constructeurs.

**Example** dans cet exemple, on installe sur mat de 6 Kg les antennes suivantes.

- (1) Yagi 14/21/28 MHz 5 éléments ; Rayon de rotation 5.6 m, Poids de 26 kg, et Surface de résistance au vent 0.7 m<sup>2</sup>
- (2) Yagi 18 MHz 3 éléments ; Rayon de rotation 5.0 m, Poids de 14 kg, et Surface de résistance au vent 0.7 m<sup>2</sup>
- (3) Yagi 50 MHz 5 éléments ; Rayon de rotation 2.6 m, Poids de 4.5 kg, et Surface de résistance au vent 0.3 m<sup>2</sup>

**Note:** pour une telle installation en «arbre de Noël», faire le calcul pour chacune des antennes séparément.

Le facteur **K** de l'installation est la somme des 3 facteurs **K** des antennes:

**K<sup>1</sup>** = facteur **K** de la Yagi 5 éléments 14/21/28 MHz.

**K<sup>1</sup>** = Rayon de rotation (5.6 m) x poids (26 kg + 2 kg) = 156.8

↓                      ↓  
Poids Antenne    Poids Mat (6 kg/3)

**K<sup>2</sup>** = facteur **K** de la Yagi 3 éléments 18 MHz.

**K<sup>2</sup>** = Rayon de rotation (5.0 m) x poids (14 kg + 2 kg) = 80

↓                      ↓  
Poids Antenne    Poids Mat (6 kg/3)

**K<sup>3</sup>** = K factor of 50 MHz 5-element Yagi.

**K<sup>3</sup>** = Rayon de rotation (2.6 m) x poids (5 kg + 2 kg) = 18.2

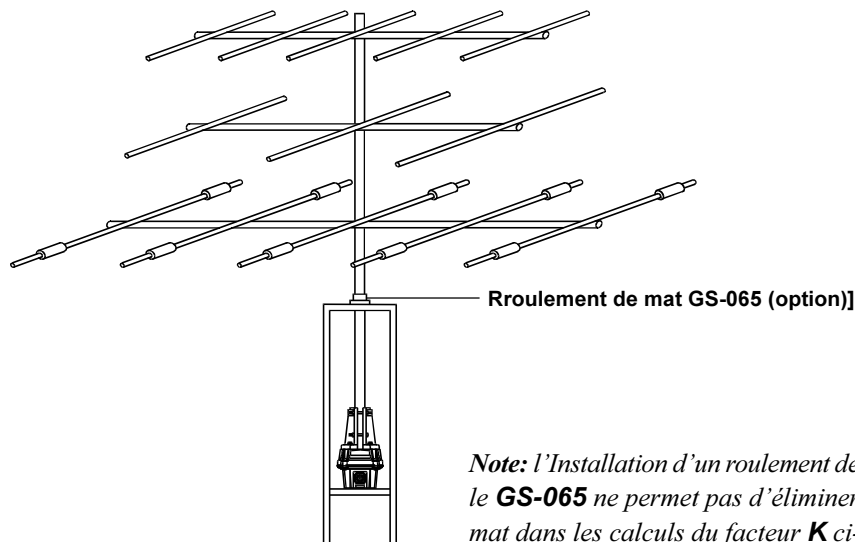
↓                      ↓  
Poids Antenne    Poids Mat (6 kg/3)

**K<sup>TOTAL</sup>** = **K<sup>1</sup>** + **K<sup>2</sup>** + **K<sup>3</sup>** = 156.8 + 80 + 18.2 = **255**

La surface de résistance au vent totale: 0,7 m<sup>2</sup> + 0,7 m<sup>2</sup> + 0,3 m<sup>2</sup> = **1,7 m<sup>2</sup>**

La surface de résistance au vent (**1,7 m<sup>2</sup>**) est dans les spécifications à la fois du **G-1000DXC** et du **G-2800DXC**, mais le facteur **K (255)** est uniquement compatible avec le **G-2800DXC**. Donc, le système d'antenne ci-dessus ne peut être monté qu'avec un **G-2800DXC**.

**Attention** Nous recommandons que votre ensemble antennes/mat ne dépasse pas 60% des ratios maximum, pour assurer une marge de sécurité.

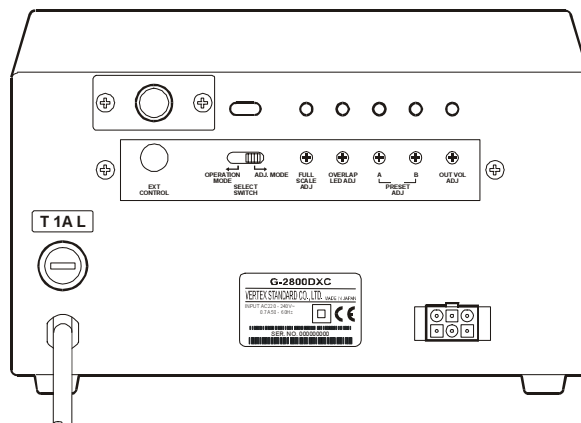


**Note:** l'installation d'un roulement de mat comme le **GS-065** ne permet pas d'éliminer le poids du mat dans les calculs du facteur **K** ci-dessus.

# Vérification du fonctionnement et alignement

## VÉRIFICATION DU FONCTIONNEMENT ET ALIGNEMENT EN INTÉRIEUR

1. Relier temporairement le moteur et le boîtier de commande à l'aide du câble de connexion fourni.
2. Tourner la commande **SPEED** complètement à gauche, et mettre le commutateur **SELECT** situé sur le panneau arrière sur la position (**ADJ. MODE**).
3. Vérifier que le commutateur **POWER** sur le boîtier de commande est à "oFF," puis brancher le cordon d'alimentation du boîtier de commande sur une prise du secteur dans la station.
4. Mettre le commutateur **POWER** sur le boîtier de commande sur "ON." Vérifier que les lampes d'éclairage du boîtier de commande s'illuminent.
5. Appuyer le côté «**LEFT**» du commutateur de rotation, et maintenir l'appui jusqu'à ce que le moteur arrive en butée sur la position la plus à gauche.
6. Quand cette position est atteinte relâcher le commutateur, et contrôler visuellement si l'aiguille indiquant la direction sur le boîtier de commande pointe sur 0° (N: Nord).  
Si ce n'est pas le cas, enlever la feuille transparente de l'indicateur de direction en tournant la bordure de fixation de 10° vers la gauche. Puis, en prenant l'aiguille au centre l'enlever puis la remettre pour qu'elle soit sur le 0°, puis remettre le couvercle de protection .
7. Juste au dessus du connecteur rond sur le moteur, vous pouvez voir deux repères de calibrage (une sur la partie qui tourne et une sur la partie fixe). Ces deux repères doivent être alignés l'un sur l'autre. Si ce n'est pas le cas, mettre un petit morceau de ruban adhésif sur les deux repères pour faire un repère de calibrage et vérifier à l'étape suivante l'importance du décalage.
8. Appuyer le côté «**RIGHT**» du commutateur de rotation, et maintenir l'appui jusqu'à ce que les marques de calibrage (présentées à l'étape 7) soient alignées. Maintenant vérifier la position de l'aiguille qui après un 360° doit pointer sur le 0°. Si ce n'est pas le cas, voir sur l'arrière du boîtier de commande, et à l'aide d'un petit tournevis régler le potentiomètre **FULL SCALE ADJ** (voir en bas) afin que l'aiguille pointe exactement sur le 0°.
9. Appuyer sur le commutateur «**RIGHT**» à nouveau, et continuer la rotation vers la droite. Vous devez observer que la led de dépassement (**OVERLAP**) s'illumine dès le passage sur le 360°. Si ce n'est pas le cas, le potentiomètre **OVERLAP LED ADJ** (à l'arrière du boîtier de commande) peut ajuster le seuil de l'illumination à 360°.
10. Vérifier que la rotation s'arrête automatiquement sur 90° (Est; représentant une rotation totale 450°).
11. Appuyer sur le commutateur de rotation, quelques petits coups vers la gauche et vers la droite, pour voir si la rotation est normale. Si c'est «OK», appuyer sur le commutateur de rotation pour mettre le moteur sur 90° (Est).
12. Mettre la commande **PRESET** sur 0° (tout à gauche), et appuyer sur le commutateur **START**. Le moteur doit tourner vers la gauche, et s'arrêter sur 0°. Si pas OK, voir à l'arrière du boîtier de commande, et utiliser un petit tournevis pour régler le potentiomètre **PRESET ADJ A** afin que le moteur s'arrête juste sur 0°.
13. Mettre la commande **PRESET** sur 90° (tout à droite), et appuyer sur le commutateur **PRESET**. Le moteur doit tourner vers la droite, et s'arrêter sur 450° (90°; Est). Si ce n'est pas le cas, voir l'arrière du boîtier de commande, utiliser un petit tournevis pour régler le potentiomètre **PRESET ADJ B** pour que le moteur s'arrête sur 450°.
14. Répéter les étapes 12 et 13 plusieurs fois jusqu'au moment il est possible de préréglager les plus petits angles aux abords des deux limites de la plage de rotation.
15. Mettre le commutateur **SELECT** à l'arrière du boîtier de commande sur la position (**OPERATION MODE**), et mettre le commutateur **POWER** sur "OFF."
16. Ceci complète les réglages de base du moteur et du boîtier de commande.



Panneau arrière du boîtier de commande

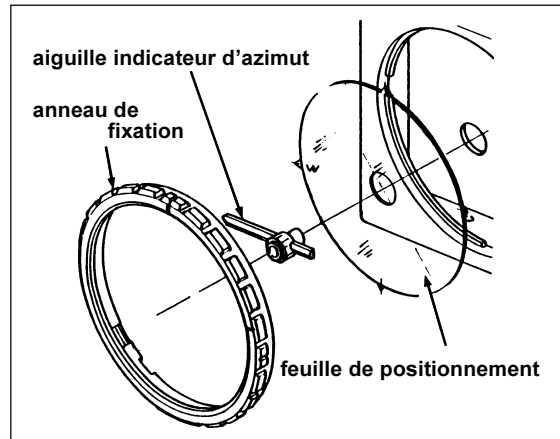
# Vérification du fonctionnement et alignement

## VÉRIFICATION DU FONCTIONNEMENT ET ALIGNEMENT EN INTÉRIEUR

### Installation de l'afficheur de positionnement

Une feuille plastique ronde est fournie avec l'appareil, et permet d'installer la direction du nord sur n'importe quelle position. Ceci est particulièrement intéressant quand vous souhaitez avoir le Sud dans la partie supérieure de l'affichage (ou est ou ouest) au lieu du Nord. Pour l'installer:

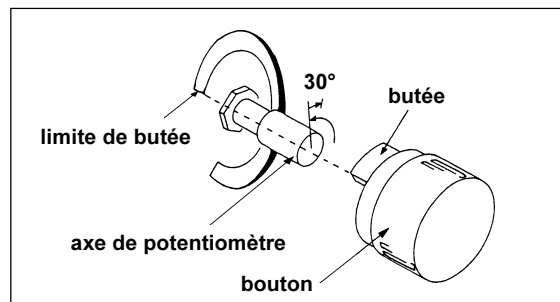
- Mettre le commutateur **POWER** sur «ON» et appuyer sur le commutateur de rotation pour mettre l'aiguille sur 0°, puis mettre le commutateur **POWER** sur «OFF».
- Déposer l'anneau de fixation de la fenêtre d'affichage de la direction en tournant l'anneau de 10°.
- Noter la position de l'aiguille, puis l'enlever en la manipulant par le point central.
- Déterminer la direction que vous souhaitez et installer la feuille de positionnement juste contre l'échelle des azimuts.
- Remettre l'aiguille et l'anneau de fixation comme ils étaient auparavant (voir le schéma de droite).



### Calibrage du bouton PRESET

Exécuter cette procédure uniquement si les réglages via **PRESET ADJ A** et **PRESET ADJ B** du panneau arrière du boîtier de commande ne sont pas satisfaisants.

- Enlever le bouton **PRESET**.
- Mettre la commande du potentiomètre tout à gauche et revenir de 30°.
- En faisant attention à ne pas bouger la position du potentiomètre **PRESET**, remettre le bouton en place en faisant coïncider la marque du bouton avec le repère situé sur le bouton et celui indiquant le limite de rotation, figurant sur le panneau juste derrière comme montré au schéma de droite.
- Répéter les opérations des étapes 12 et 13 de la page précédente.



Ne pas oublier de mettre le commutateur **SELECT** du panneau arrière sur la position (**OPERATION MODE**) après l'alignement.

# Vérification du fonctionnement et alignement

## INSTALLATION DU MOTEUR G-1000DXC ET DES ANTENNES ASSOCIÉES SUR UN PYLÔNE.

**Important!!** Avant de monter le mat sur le moteur, on peut percer un petit trou en base de mat pour ajouter un boulon anti-torsion qui passe également dans les deux mâchoires de support de mat.

1. Percer un trou de 9 mm de diamètre de part en part dans le mat, centré à 50 mm de la base du mat (voir Figure 1). S'assurer que le perçage est bien perpendiculaire et correspond bien aux trous situés sur les mâchoires support de mat.
2. Fixer le moteur sur la plaque de base de la cage, à l'aide des vis et écrous fournis. Il est recommandé de mettre un peu de graisse sur les écrous en vue d'un démontage éventuel futur (voir Figure 2).
3. Si un roulement de mat (comme le **GS-065** de Yaesu) est utilisé, le mettre en place au dessus de la cage rotor (voir Figure 3) à l'aide de la visserie fournie.
4. Mettre en place provisoirement sans trop serré, les mâchoires sur le boîtier du moteur à l'aide de la visserie fournie (voir Figure 5).
5. En s'aidant d'une béquille ou de tout autre moyen d'élévation, passer le mat d'antenne dans le roulement de tête de cage et mettre en place provisoirement le mat dans les mâchoires sans trop serré à l'aide de la visserie fournie.

**Attention** une des mâchoires possède des épaulements de chaque côté des trous destinés à recevoir les boulons. Ces épaulements sont destinés à bloquer la tête des boulons lors du serrage.

6. Mettre en place la vis anti-torsion à travers les mâchoires et le mat. Puis serrer le montage partiellement.
7. En jouant sur le réglage des vis du roulement de la cage rotor et le positionnement des mâchoires réaliser le meilleur centrage du mat.
8. Serrer alors toutes les vis des mâchoires à l'exception de la vis anti-torsion.

**Attention** Ne pas trop serrer les écrous des mâchoires. Le bon serrage intervient lorsque les rondelles des écrous sont plates soit 1/2 tour supplémentaire au maximum.

9. Mettre en place la prise ronde du câble de commande du moteur dans la prise correspondante sur le boîtier du moteur, et serrer correctement le branchement. Mettre en place le capuchon de caoutchouc sur le connecteur et sur le câble. Ajouter quelques tours de ruban isolant sur le câble pour renforcer l'étanchéité. Enfin fixer le câble de commande à plusieurs endroits sur le pylône en prenant garde au coulisement éventuel du pylône.

10. Demander alors à un aide resté au sol de bien vouloir effectuer à l'aide du boîtier de commande une rotation de 180°. Pendant le déplacement observer la vis anti-torsion et si une courbure de cette vis est observée arrêter la rotation et refaire le centrage. Par contre si tout va bien procéder au serrage définitif de la vis anti-torsion.
11. Prévoir une longueur de câble coaxial suffisante pour qu'une rotation de 450° puisse être effectuée sans gêne (voir Figure 8). Enfin fixer le câble coaxial à plusieurs endroits sur le pylône en prenant garde au coulisement éventuel du pylône.
12. L'installation est maintenant complète, faire les vérifications en faisant effectuer au moteur une rotation. Il est bon d'effectuer cette opération avec l'aide d'un observateur chargé plus particulièrement de voir si tout se passe bien surtout au niveau du câble de commande et du câble coaxial.

### Point particulier concernant l'installation

Si vous utilisez une tour de toit avec un mat d'antenne assez important, l'emploi d'un système de haubans est recommandé. Les roulements de mat **GS-050** et **GS-065** ont un dispositif pour accrocher des haubans. Lors de l'installation d'un système de haubans, il peut y avoir un désalignement entre ce système et le moteur. Vérifier que le mat d'antenne est bien vertical.

# Vérification du fonctionnement et alignement

## INSTALLATION DU MOTEUR G-1000DXC ET DES ANTENNES ASSOCIÉES SUR UN PYLÔNE.

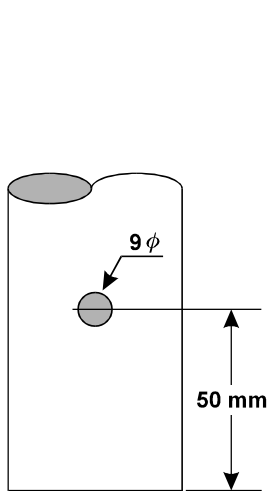


Figure 1

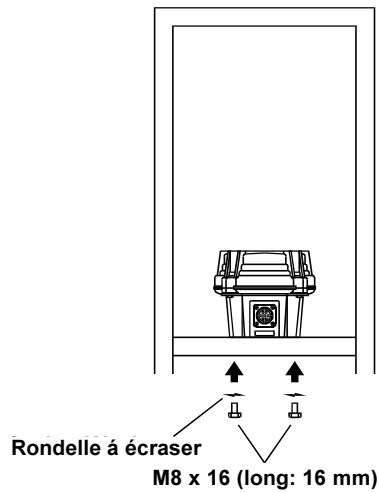


Figure 2

Roulement de mat GS-065 (optionnel)

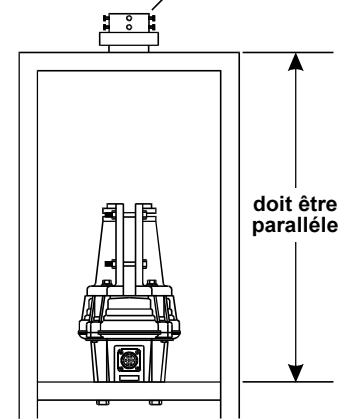


Figure 3

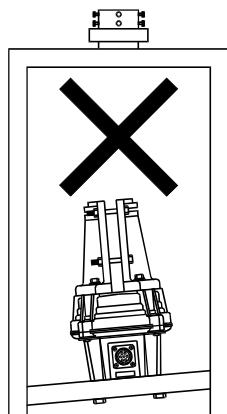


Figure 4

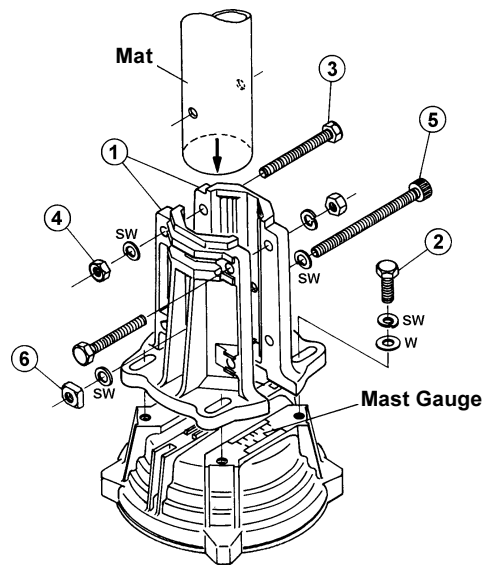


Figure 5

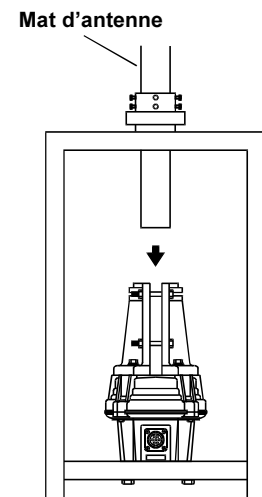


Figure 6

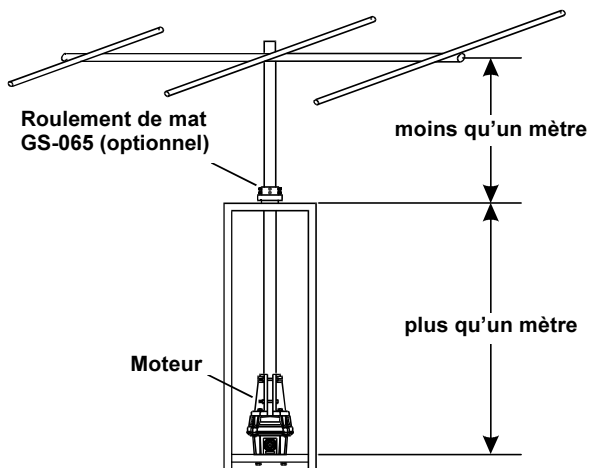


Figure 7

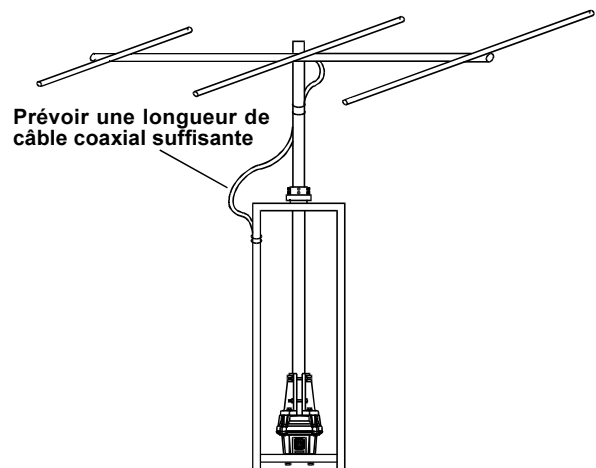


Figure 8

# Mounting the Rotator and Antenna

## INSTALLATION DU MOTEUR G-2800DXC ET DES ANTENNES ASSOCIÉES SUR UN PYLÔNE.

**Important!!** Avant de monter le mat sur le moteur, on peut percer un petit trou en base de mat pour ajouter un boulon anti-torsion qui passe également dans les deux mâchoires de support de mat.

1. Percer un trou de 9 mm de diamètre de part en part dans le mat, centré à 50 mm de la base du mat (voir Figure 9). S'assurer que le perçage est bien perpendiculaire et correspond bien aux trous situés sur les mâchoires support de mat.
  2. Fixer le moteur sur la plaque de base de la cage, à l'aide des vis et écrous fournis. Il est recommandé de mettre un peu de graisse sur les écrous en vue d'un démontage éventuel futur (voir Figure 10).
  3. Si un roulement de mat (comme le **GS-065** de Yaesu) est utilisé, le mettre en place au dessus de la cage rotor (voir Figure 11) à l'aide de la visserie fournie.
  4. Mettre en place provisoirement sans trop serré, les mâchoires sur le boîtier du moteur à l'aide de la visserie fournie (voir Figure 13).
  5. En s'aidant d'une béquille ou de tout autre moyen d'élévation, passer le mat d'antenne dans le roulement de tête de cage et mettre en place provisoirement le mat dans les mâchoires sans trop serré à l'aide de la visserie fournie.
- Attention** une des mâchoires possède des épaulements de chaque coté des trous destinés à recevoir les boulons. Ces épaulements sont destinés à bloquer la tête des boulons lors du serrage.
6. Mettre en place la vis anti-torsion à travers les mâchoires et le mat. Puis serrer le montage partiellement.
  7. En jouant sur le réglage des vis du roulement de la cage rotor et le positionnement des mâchoires réaliser le meilleur centrage du mat.
  8. Serrer alors toutes les vis des mâchoires à l'exception de la vis anti-torsion.
- Attention** Ne pas trop serrer les écrous des mâchoires. Le bon serrage intervient lorsque les rondelles des écrous sont plates soit 1/2 tour supplémentaire au maximum.
9. Mettre en place la prise ronde du câble de commande du moteur dans la prise correspondante sur le boîtier du moteur, et serrer correctement le branchement. Mettre en place le capuchon de caoutchouc sur le connecteur et sur le câble. Ajouter quelques tours de ruban isolant sur le câble pour renforcer l'étanchéité. Enfin fixer le câble de commande à plusieurs endroits sur le pylône en prenant garde au coulisement éventuel du pylône.

10. Demander alors à un aide resté au sol de bien vouloir effectuer à l'aide du boîtier de commande une rotation de 180°. Pendant le déplacement observer la vis anti-torsion et si une courbure de cette vis est observée arrêter la rotation et refaire le centrage. Par contre si tout va bien procéder au serrage définitif de la vis anti-torsion.
11. Prévoir une longueur de câble coaxial suffisante pour qu'une rotation de 450° puisse être effectuée sans gêne (voir Figure 16). Enfin fixer le câble coaxial à plusieurs endroits sur le pylône en prenant garde au coulisement éventuel du pylône
12. L'installation est maintenant complète, faire les vérifications en faisant effectuer au moteur une rotation. Il est bon d'effectuer cette opération avec l'aide d'un observateur charger plus particulièrement de voir si tout se passe bien surtout au niveau du câble de commande et du câble coaxial.

### Point particulier concernant l'installation

Si vous utilisez une tour de toit avec un mat d'antenne assez important, l'emploi d'un système de haubans est recommandé. Les roulements de mat **GS-050** et **GS-065** ont un dispositif pour accrocher des haubans. Lors de l'installation d'un système de haubans, il peut y avoir un désalignement entre ce système et le moteur. Vérifier que le mat d'antenne est bien vertical.

# Mounting the Rotator and Antenna

## INSTALLATION DU MOTEUR G-2800DXC ET DES ANTENNES ASSOCIÉES SUR UN PYLÔNE.

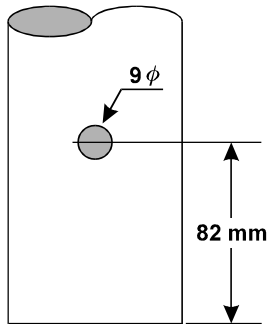


Figure 9

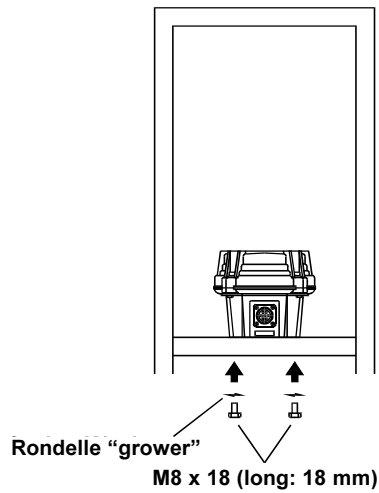


Figure 10

Roulement de mat GS-065 (optionnel)

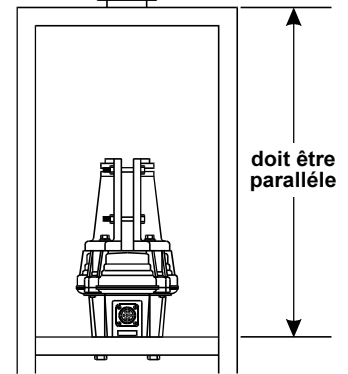


Figure 11

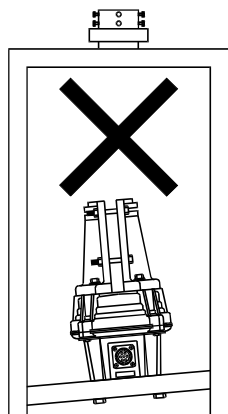


Figure 12

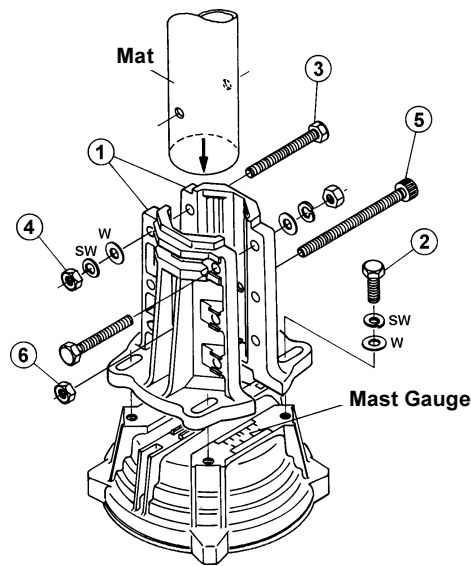


Figure 13

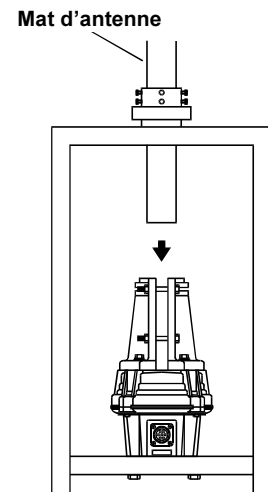


Figure 14

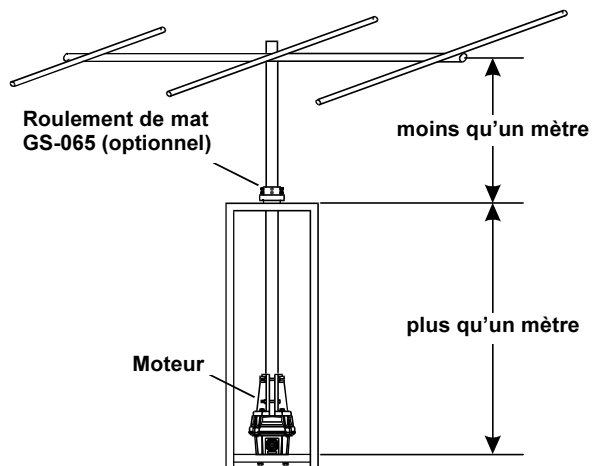


Figure 15

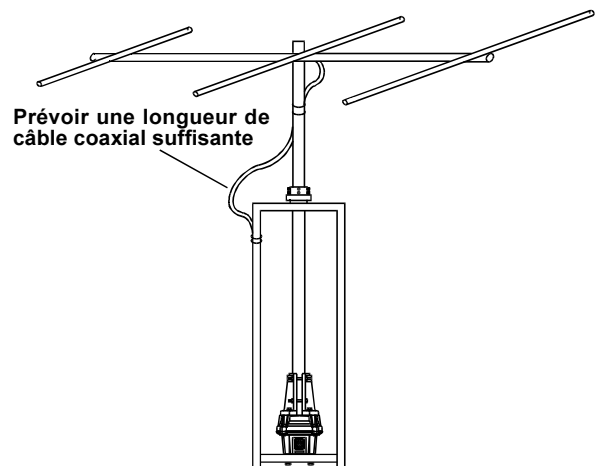


Figure 16

# Important !

---

L'installation d'une antenne rotative sur un pylône peut s'avérer dangereux si certaines précautions ne sont pas prises.

Un pylône ne doit jamais être installé dans un endroit où il risque de tomber sur des lignes haute tension en cas de tempête ou de tremblement de terre.

Le câble de commande du moteur peut conduire la foudre impliquant des tensions mortelles sur le câble. Yaesu recommande fermement l'installation de parafoudres adaptés sur le câble de commande et sur le câble coaxial. Voir votre vendeur pour plus de détails au sujet de ces accessoires.

Si un orage arrive sur votre région, débrancher rapidement le câble de commande à l'arrière du boîtier de commande du moteur, et débrancher la prise du secteur. Débrancher le câble coaxial des antennes. *Faire ceci uniquement si l'orage n'est pas sur vous, autrement vous risquez le coup de foudre si un éclair intervient alors que vous êtes en train de tenir un câble.*

Si vous avez quelque doute sur vos possibilités d'installer votre moteur en toute sécurité, utiliser les services d'un professionnel en installation d'antennes.



# Spécifications

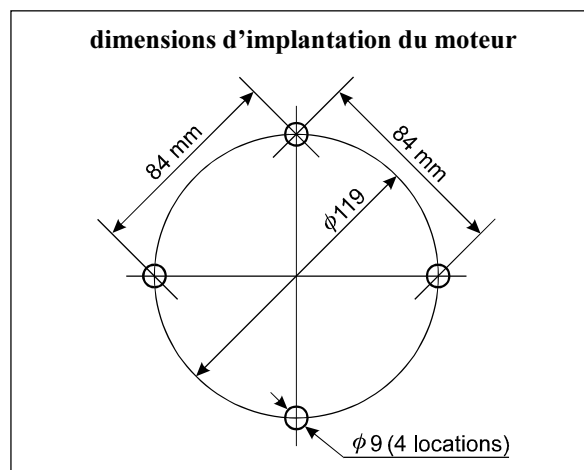
	<b>G-1000DXC</b>	<b>G-2800DXC</b>
<b>Tension d'alimentation:</b>	220 - 240 VAC, 50 Hz	220 - 240 VAC, 50 Hz
<b>Consommation en courant:</b>	0.5 A	0.7 A
<b>Tension du moteur:</b>	11 - 24 VDC	11 - 24 VDC
<b>décalage de rotation 360° (Non chargé):</b>	100 ± 10 sec à 40 ± 5 sec (Variable)	120 ± 10 sec à 50 ± 5 sec (Variable)
<b>Plage de rotation:</b>	450° ± 3°	450° ± 3°
<b>Couple de rotation (@230 VAC):</b>	600 à 1,100 kgf-cm	800 à 2,500 kgf-cm
<b>Couple de freinage:</b>	6,000 kgf-cm	25,000 kgf-cm
<b>Charge verticale maximum:</b>	200 kg ou moins (continu) 800 kg (momentané)	300 kg ou moins (continu) 1,200 kg (momentané)
<b>Diamètre externe du mat:</b>	φ38 à φ63	φ48 à φ63
<b>Type de freins:</b>	arrêteurs mécanique et électrique	arrêteurs mécanique et électrique
<b>Coefficient d'antenne K:</b>	230 ou moins	950 ou moins
<b>Surface de résistance au vent:</b>	0.75 m <sup>2</sup> x 0.6 m ou moins (type mat) 2.2 m <sup>2</sup> ou moins (type pyl.)	1 m <sup>2</sup> x 0.8 m ou moins (type mat) 3 m <sup>2</sup> ou moins (type pyl.)
<b>Durée de service continu max:</b>	3 minutes	3 minutes
<b>Température d'emploi:</b>	0 °C à +40 °C (Boîtier de cde) -10 °C à +40 °C (moteur)	0 °C à +40 °C (Boîtier de cde) -10 °C à +40 °C (moteur)
<b>Dimensions moteur:</b>	φ186 x 300 mm	φ200 x 345 mm
<b>Poids moteur:</b>	env. 3.6 kg	env. 6.5 kg
<b>Dimensions boîtier de commande:</b>	200 (l) x 130 (h) x 193 (p) mm	200 (l) x 130 (h) x 193 (D) mm
<b>Poids boîtier de commande:</b>	env. 2.8 kg	env. 3.8 kg

Ces équipements répondent aux standards suivants:

EMC Directive 89/336/EEC: EN50081-1 & EN50082-1

LVD 73/23 EEC: EN60065

*Ces spécifications sont sujettes à changement sans préavis.*



# Accessoires & Options

## DÉBALLAGE & INSPECTION

Au déballage du moteur vérifier que vous trouvez les éléments suivants:

<b>G-1000DXC</b>	<b>QUANTITÉ</b>	<b>G-2800DXC</b>	<b>QUANTITÉ</b>
Boîtier de commande	1	Boîtier de commande	1
Moteur	1	Moteur	1
Mâchoire de mat	1 paire	Mâchoire de mat	1 paire
Câble de commande (25m, 6 brins)	1	Câble de commande (25m, 6 brins)	1
M8 x 95 mm vis	1	M8 x 95 mm vis	1
M8 x 16 mm boulons	4	M8 x 18 mm boulons	4
M8 x 25 mm boulons	4	M8 x 25 mm boulons	4
M8 x 70 mm boulons	4	M8 x 70 mm boulons	4
Rondelle à écraser	14	Rondelle à écraser	14
Rondelle plate	4	Rondelle plate	4
M8 écrous	4	M8 écrous	4
Ecrou carré	1	Ecrou carré	1
Fusible de rechange	1 (1A)	Fusible de rechange	1 (1A)
Feuille de positionnement	1	Feuille de positionnement	1

*Si un de ces articles est manquant ou endommagé, prévenir votre vendeur*

## ACCESSOIRES OPTIONNELS

<b>GC-038</b>	support de mat (pour <b>G-1000DXC</b> )
<b>GC-048</b>	support de mat (pour <b>G-2800DXC</b> )
<b>GS-050</b>	roulement de mat (pour mat de 50 mm)
<b>GS-065</b>	roulement de mat (pour mat de 65 mm)
<b>GS-232A</b>	interface de commande par PC (RS-232C série)
<b>G-40MWP</b>	Câble de commande (40 m: pour <b>G-1000DXC</b> )
<b>GA-2500</b>	joint d'absorption (pour <b>G-1000DXC</b> )
<b>GA-3000</b>	joint d'absorption (pour <b>G-2800DXC</b> )



## G-1000DXC/G-2800DXC

# Rotore d'antenna per carichi gravosi e unità comando

I rotatori d'antenna Yaesu sono progettati per ruotare grandi sistemi d'antenna amatoriali e professionali posti sulla sommità di tralicci controllandone la rotazione comodamente dalla postazione operatore. Il carter che contiene i meccanismi è dotato di doppi cuscini a sfere planetari da 100 7/16 di pollice per ripartire equamente il carico su tutta la superficie del carter. Questa particolarità progettuale minimizza l'affaticamento ed il consumo delle parti, inoltre elimina praticamente la possibilità che entri dell'acqua perché non sopra la parte superiore della fusione c'è il foro per l'uscita albero rotazione.

Anziché usare come consueto nei vecchi modelli di rotatori, motori in corrente alternata, il **G-1000DXC** e il **G-2800DXC** dispongono di un motore in corrente continua a tensione variabile, si elimina così il condensatore per l'avvio che può facilmente guastarsi per le condizioni ambientali cui è sottoposto all'esterno. Al rotore in fabbrica si applica il lubrificante interno, il carter d'alluminio è ricoperto di melanina e garantisce il funzionamento in tutte le condizioni climatiche, senza richiedere alcun intervento manutentivo. Sul carter del rotore è presente un riferimento guida che semplifica l'allineamento con il tubo portante verticale "mast" durante l'installazione.

L'elegante dispositivo di controllo da tavolo bene si accoppia con lo stile dei moderni ricetrasmittitori, indica da direzione radiale su 360° cioè il puntamento azimutale dell'antenna. Potete scegliere la velocità di rotazione da 40 a 100 secondi per una rotazione completa per il **G-1000DXC** (da 50 a 120 per **G-2800DXC**); potete impostare il traguardo, il rotore girerà automaticamente fino alla direzione desiderata.

Quando si imposta la massima velocità, il modello **G-2800DXC** inserisce automaticamente l'avvio e il fermo rallentato per minimizzare contraccolpi al traliccio ed all'antenna. Cioè all'avvio parte lentamente, poi accelera fino alla massima velocità. Quando l'antenna è prossima al puntamento finale comincia a rallentare con dolcezza fino a fermarsi. L'operatore può scegliere a suo piacere il fermo corsa (cioè il puntamento oltre il quale non si può procedere) meglio adattandolo alla situazione locale; ad esempio si può permettere una rotazione completa sul punto cardinale Nord o Sud o entrambi. In ogni modo ogni punto risulta coperto anche intorno al fermo corsa perché la rotazione completa è di 450°.

Il rotore è stato progettato per essere montato su un supporto del traliccio (non fornito) posto almeno un metro sotto la sommità, sopra si può montare il cuscinetto guida opzionale Yaesu **GS-680U**. Questo kit comprende anche la piastra per il "mast" e la bulloneria relativa e i connettori per il rotore ed il dispositivo di comando per semplificare l'installazione e la manutenzione. Il cavo di comando lungo 40 metri è anch'esso opzionale (**G-40MWP**).

È disponibile opzionalmente anche una interfaccia per comandare, tramite il computer via la porta seriale RS232, da inserire nella consolle (**GS-232A**).

Prima di installare il rotore vi invitiamo a leggere questo manuale con attenzione per prendere bene conoscenza delle procedure ed accertarvi di avere a disposizione quanto necessario.

# Uso corretto ed in sicurezza del dispositivi

## Significato dei simboli



### Attenzione

indica che un errore nel seguire la procedura può provocare danni seri, al limite la morte.



### Cautela

indica che un errore nel seguire la procedura può provocare danni alle persone o alle cose.

## Significato dei pittogrammi



indica che le istruzioni vanno sempre rispettate per garantire un sicuro funzionamento delle apparecchiature



segnala le azioni pericolose che non vanno intente



## Attenzione



**Leggete questo manuale utente completamente e prendete conoscenza della procedura corretta d'installazione prima d'iniziare.**

Installare questo dispositivo comporta di lavorare ad una certa altezza dal suolo. questa circostanza, cui non siete abituati, potrebbe causarvi indolenti gravi causa caduta. Anche l'installazione mal fatta può causare la caduta dell'antenna e di quanto connesso provocando danni alla vostra casa ad ai vicini. Per queste ragioni dovete controllare sempre di rispettare tutte le condizioni di sicurezza prima di iniziare a lavorare.



**Assicuratevi che l'ingombro della antenna mossa da questo dispositivo sia compresa nelle specifiche di portata riportate su questo manuale.**

Montare un'antenna più grande della massima ammessa dalle specifiche può concludersi con il cedimento e la caduta dell'antenna e di quant'altro collegato provocando danni alla vostra casa ad ai vicini.



**Quando lavorate sospesi da terra, controllate che non ci sia gente sotto di voi.**

L'accidentale caduta di utensili, bulloni o altre parti può provocare la morte o gravi ferite a terzi.



**Assicuratevi sempre con una briglia di sicurezza quando lavorate sospesi da terra.**

La mancanza della briglia di sicurezza può concludersi in gravi lesioni personali o la morte.



**Accertatevi di serrare a fondo la bulloneria.**

Bulloni o ancoraggi malamente o non sufficientemente serrati possono provocare il collasso e la caduta dell'antenna e di quant'altro collegato provocando danni alla vostra casa ad ai vicini



**Non modificate o smontate mai il dispositivo.**

# Uso corretto ed in sicurezza del dispositivi



## Cautela



**Quando state montando il dispositivo state attenti ad non infilare le vostre dita dentro o tra le parti taglienti.**



**Qualora avvertiate odore di bruciato o fumo provenire dal dispositivo, non interromperne l'uso in questa circostanza può finire in un incendio o gravi danni.**

In questo caso togliete subito corrente e scollegate la spina d'alimentazione. Dopo aver verificato che l'apparato non emette più fumo o odore di bruciato rendetelo al vostro negoziante Yaesu affinché sia riparato.



**Se cade qualcosa dentro il dispositivo di comando togliete subito corrente e scollegate la spina d'alimentazione.**



**Non interromperne l'uso in questa circostanza può finire in un incendio o gravi danni.**



**Non alimentate il dispositivo con una tensione di rete diversa da quella specificata, si rischia l'incendio o scariche elettriche.**



**Se prevedete di non usare per molto tempo il dispositivo, scollegate il cavo d'alimentazione.**



**Non operate per più di 3 minuti.**

Il dispositivo può funzionare ininterrottamente per 5 minuti ma poi il motore deve rimanere fermo per 15 minuti almeno.



**Non porre il dispositivo di comando in posizione instabile, ad esempio su superfici instabili o inclinate; può cadere e guastarsi o fare danni.**



**Non schiacciare il cavo d'alimentazione con oggetti pesanti e non piegatelo o stratonatelo troppo energicamente.**

Danni al cavo d'alimentazione possono provocare incendi o malfunzionamenti.



**Non lasciate la consolle sotto il sole o vicino a sorgenti di calore che possono sformarla o scolorirla.**



**Non ponete la consolle in ambienti umidi o polverosi si può provocare incendi o malfunzionamenti.**



**Non ponete la consolle in ambienti chiusi o poco ventilati come su un ripiano di libreria perché il dispositivo potrebbe surriscaldarsi e provocare incendi o malfunzionamenti.**



**Non ponete la consolle su un tappeto o coperte perché il calore interno potrebbe provocare incendi.**



**Non appoggiate oggetti pesanti sopra la consolle perché questa potrebbe cadere o rovesciarsi guastandosi o facendo danni.**



**Non appoggiate piccoli oggetti sopra la consolle come fermagli per lettere, perché potrebbero cadere dentro l'unità e provocare incendi o malfunzionamenti.**



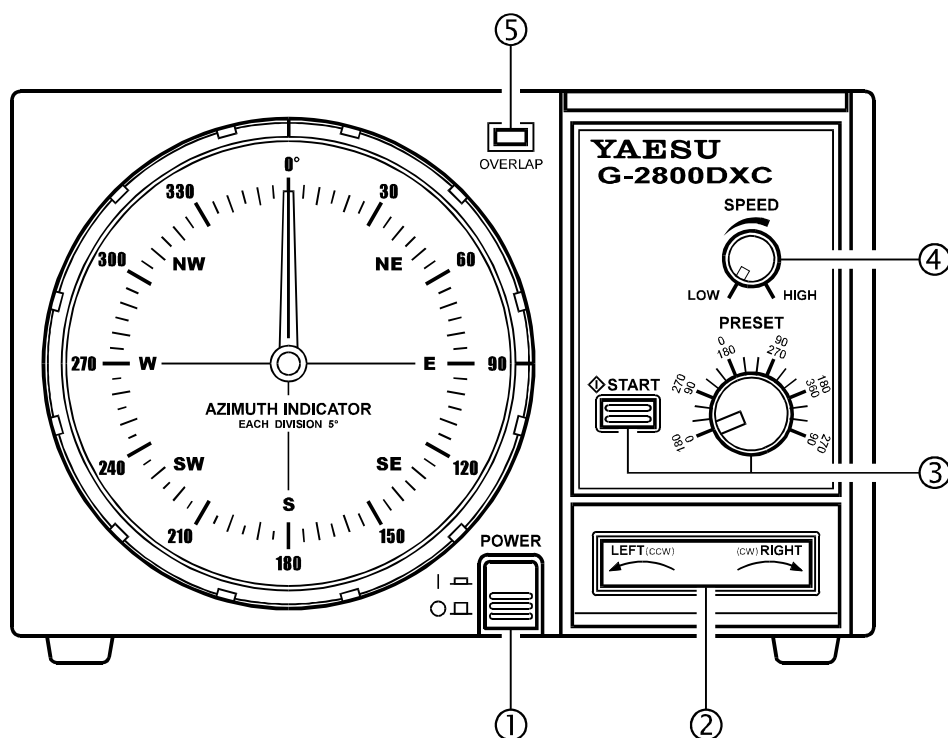
**Non pulite la consolle con solventi come acquaragia o benzene perché si scolorisce e deforma il guscio.**

Per pulire sfregate gentilmente con un panno inumidito di un sapone neutro e poi passate con un panno morbido e asciutto.



**Non alimentate il dispositivo fintanto che l'installazione del rotore e della consolle è terminata.**

# Pannello frontale della consolle di comando



## ① Interruttore d'accensione

Premere su questo pulsante per accendere la consolle e poter ruotare l'antenna. Spegnerlo quando il dispositivo non è in uso.

## ② Commutatore **LEFT** (sinistra) / **RIGHT** (destra)

La pressione su **LEFT** avvia la rotazione dell'antenna in senso antiorario. **RIGHT** in senso inverso, quindi orario.

## ③ Manopola **PRESET** ed interruttore **START**

Regolate la manopola **PRESET** sul puntamento finale mettendo l'indice in corrispondenza della scala interna (0 ~ 90) e poi premete brevemente il tasto **START**, l'antenna ruoterà automaticamente fino al traguardo. Per abortire è sufficiente premere **LEFT/RIGHT**.

*Nota:* se impostate la posizione di partenza su 180° (S: sud) la regolazione di **PRESET** va fatta riferendosi alla scala esterna (180 ~ 270).

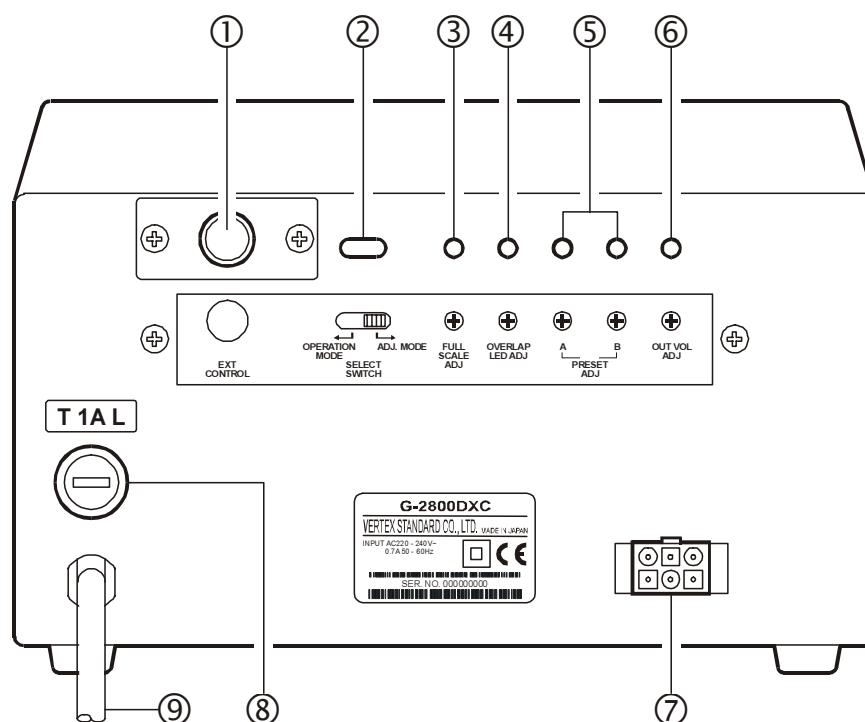
## ④ **SPEED** regolazione velocità

Impostate con questo comando la velocità di rotazione tra 30 e 100 secondi per una rivoluzione completa.

## ⑤ **OVERLAP** segnalazione sovrapposizione

Quando l'antenna è ruotata oltre 360° (può arrivare fino a 540°) dalla posizione iniziale antioraria questo led rosso s'accende. Se volete ruotare l'antenna in senso orario e siete in queste condizioni dovete invece ruotarla al traguardo in senso antiorario.

# Pannello posteriore console



## ① Connettore **EXT CONTROL**

Questo connettore mini DIN 6 poli è usato dall'unità opzionale **GS-232A** (comando tramite computer).

## ② Commutatore **SELECT**

Quando si calibrano le regolazioni della console va posto su "**ADJ. MODE**". Invece va lasciato, per il normale funzionamento, su "**OPERATION MODE**".

## ③ Potenziometro regolazione fondo scala **FULL SCALE ADJ**

Questo calibra l'angolo massimo di rotazione dell'indicatore azimutale affinché corrisponda al massimo del rotore

## ④ Potenziometro indicatore sovrapposizione **OVERLAP LED ADJ**

La regolazione calibra la segnalazione **OVERLAP** con l'indicazione azimutale

## ⑤ Potenziometro regolazione **PRESET (A e B)**

Questa regolazione fa corrispondere l'angola impostato tramite **PRESET** con l'indicazione azimutale. Il potenziometro **A** va regolato solo in prossimità della posizione 0°, **B** vicino a 450°.

## ⑥ Potenziometro regolazione uscita **OUT VOL ADJ**

Regola il livello di tensione presente al connettore **EXT CONTROL** al fine di calibrare il convertitore analogico / digitale dell'unità (opzionale) **GS-232A**.

## ⑦ Spina cavo comando rotore

Il cavo di comando in dotazione va inserito in questo connettore a 6 poli

## ⑧ Portafusibile

Il fusibile è da 1A per rete da 220 a 240 V. Se il fusibile fonde va sostituito esclusivamente con uno della stessa portata. In caso di dubbio consultate il vostro rivenditore Yaesu.

## ⑨ Cavo rete

Il cavo va inserito in una presa rete 220 – 240 V a muro.

# Considerazioni sulle antenne

A questo dispositivo possono essere montate una ampia gamma di tipi d'antenna, dipende dal metodo di montaggio, dalla base e dalla massima velocità del vento locale.

Le pagine seguenti illustrano il montaggio di antenne comuni bene adattabili al **G-1000DXC** o **G-2800DXC**. Si assume che il vento al massimo soffierà ad una velocità non superiore a 30 metri al secondo; **si raccomanda che voi aggiungete un margine di sicurezza di almeno il 40% per precauzione a parare a situazioni estreme che potrebbero provocare danni.**

## ANTENNE MONTATE SU PALI

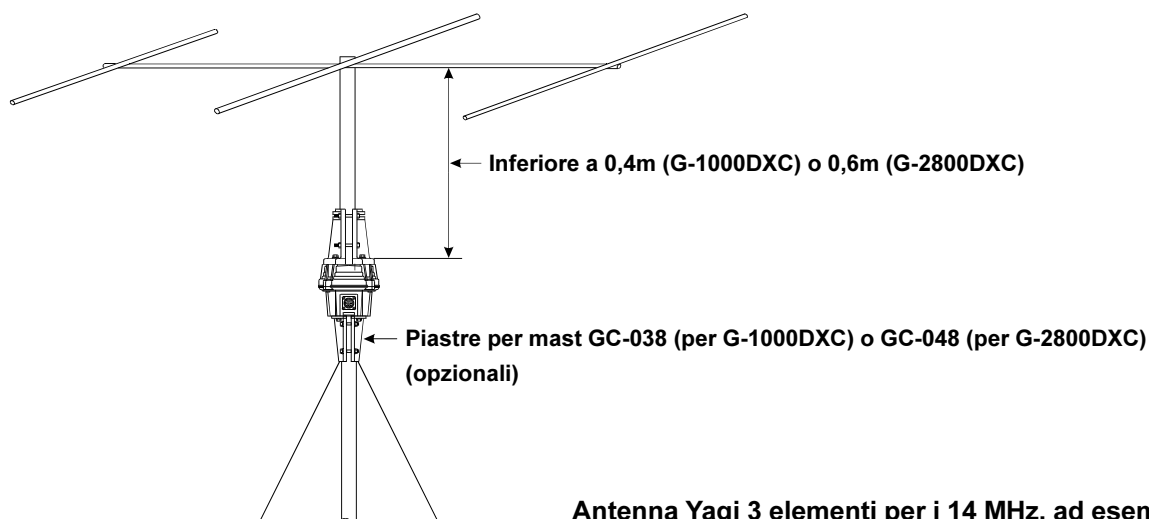
Montare il rotore su un palo implica una riduzione significativa del massimo carico e quindi dell'antenna a causa del gravoso carico cui sono sottoposte le piastre del rotore. Nel montaggio a palo il prodotto dell'area esposta al vento dall'antenna (in m<sup>2</sup>) con l'altezza del tubo portante verticale "mast" (in m) deve risultare inferiore a **0,45 (G-1000DXC)** o **0,8 (G-2800DXC)**. Riferitevi all'illustrazione e tabella seguente

$$[\text{Area di carico al vento dell'antenna}] \times [\text{Altezza del "mast"}] = \mathbf{0,45 \text{ (G-1000DXC)}} \\ \mathbf{0,8 \text{ (G-2800DXC)}}$$

Per conoscere il peso e la superficie di carico al vento dell'antenna consultate le specifiche del fabbricante.

**Esempio** Se un antenna Yagi 3 elementi per i 14 MHz ha una superficie di 0,7 m<sup>2</sup> (vedere tabella 1), la specifica è rispettata fintanto che il palo verticale è più corto di 0,4 m ( $0,7 \text{ m}^2 \times 0,4 \text{ m} = \mathbf{0,28} = \mathbf{0,28}$  [ $0,45 \times 40\%$  margine di sicurezza] per il **G-1000DXC**. Se invece si usa un "mast" di 0,6 m con il **G-2800DXC** si supera la specifica di carico ( $0,7 \text{ m}^2 \times 0,6 \text{ m} = \mathbf{0,42} < \mathbf{0,48}$  [ $0,8 \times 40\%$  margine di sicurezza]).

**Avvertimento** Noi raccomandiamo di avere un carico entro il 60% del massimo a garanzia di sicurezza.



Carico al vento per antenne commerciali (tipico)

Banda (MHz)	Elementi	Area (m <sup>2</sup> )	Banda (MHz)	Elementi	Area (m <sup>2</sup> )	Banda (MHz)	Element1	Area (m <sup>2</sup> )
7	2-elementi	2.2	28	3-elementi	0.3	50	4-elementi	0.25
7	1-elementi, con bobine carico	0.2	28	4-elementi	0.42	50	5-elementi	0.3
7	2-elementi, con bobine carico	0.6	28	5-elementi	0.6	50	6-elementi	0.37
7	3-elementi, con bobine carico	1.1	28	2-elementi, Swiss Quad	0.3	50	2-elementi, Swiss Quad	0.3
14	3-elementi	0.7	7/14	3-elementi, con trappole	0.5	144	10-elementi	0.2
14	4-elementi	1.2	7/14	4-elementi, con trappole	0.8	144	10-elementi, sovrapposte	0.44
14	5-elementi	1.7	14/21	3-elementi, con trappole	0.4	144	10-elementi, x 4	0.95
21	3-elementi	0.45	14/21	4-elementi, con trappole	0.5	144	10-elementi, x 4 x 2	2.0
21	4-elementi	0.6	21/28	3-elementi, con trappole	0.3	430	12-elementi	0.06
21	5-elementi	0.8	21/28	4-elementi, con trappole	0.4	430	12-elementi, sovrapposte	0.12
21	6-elementi	1.3	14/21/28	3-elementi, con trappole	0.4	430	12-elementi, x 4	0.3
21	2-elementi, Swiss Quad	0.3	14/21/28	4-elementi, con trappole	0.5	430	12-elementi, x 4 x 2	0.6



# Considerazioni sulle antenne

## ANTENNE MONTATE SU TRALICCI

Questa più razionale installazione consente aree di carico al vento fino a **2,2 m<sup>2</sup> (G-1000DXC)** o **3 m<sup>2</sup> (G-2800DXC)** mentre il fattore “**K**” (vedi sotto) non può superare **230 (G-1000DXC)** o **950 (G-2800DXC)** ove **K = [Raggio ingombro rotazione antenna (m)] x [Peso Antenna + Mast (kg)]**.

Consultate le specifiche del fabbricante dell’antenna per conoscerne il peso ed il raggio di rotazione.

**Esempio** Si ipotizza il montaggio delle seguenti antenne su un mast pesante 6 kg.

1. Yagi 5 elementi 14/21/28 MHz, raggio rotazione 5,6 m peso 26 kg superficie carico 0,7 m<sup>2</sup>
2. Yagi 3 elementi 18 MHz, raggio rotazione 5,0 m peso 14 kg superficie carico 0,7 m<sup>2</sup>
3. Yagi 5 elementi 50 MHz, raggio rotazione 2,6 m peso 4,5 kg superficie carico 0,3 m<sup>2</sup>

**Nota:** queste installazioni ad “albero natalizio” richiedono che si calcoli il peso del mast ripartito tra le antenne proporzionalmente all’altezza di fissaggio antenna.

Il valore di **K** di questo sistema d’antenne è la somma dei singoli **K** calcolati per ogni antenna

**K<sup>1</sup>** = fattore **K** antenna Yagi 5 elementi 14/21/28 MHz

**K<sup>1</sup>** = raggio rotazione (5,6 m) x peso (26 kg + 2 kg) = 156,8

↓                      ↓  
peso antenna    peso mast (6kg/3)

**K<sup>2</sup>** = fattore **K** antenna Yagi 3 elementi 18 MHz

**K<sup>2</sup>** = raggio rotazione (5,0 m) x peso (14 kg + 2 kg) = 80

↓                      ↓  
peso antenna    peso mast (6kg/3)

**K<sup>3</sup>** = fattore **K** antenna Yagi 5 elementi 50 MHz

**K<sup>3</sup>** = raggio rotazione (2,6 m) x peso (4,5 kg + 2 kg) = 18,2

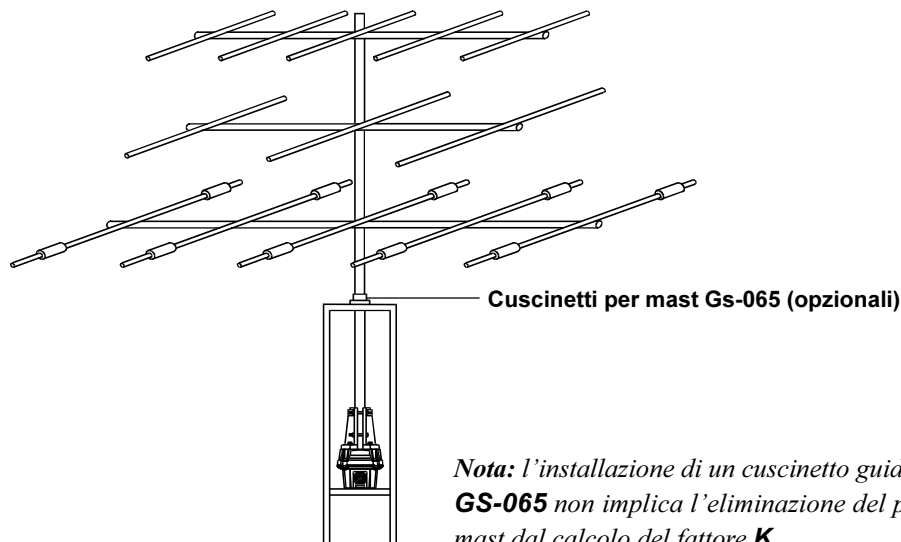
↓                      ↓  
peso antenna    peso mast (6kg/3)

**K<sup>totale</sup>** = **K<sup>1</sup>** + **K<sup>2</sup>** + **K<sup>3</sup>** = 156,8 + 80 + 18,2 = **255**

L’area di carico al vento del sistema d’antenne è: 0,7 m<sup>2</sup> + 0,7 m<sup>2</sup> + 0,3 m<sup>2</sup> = **1,7 m<sup>2</sup>**

Questo valore (**1,7 m<sup>2</sup>**) è entro le specifiche del **G-1000DXC** e **G-2800DXC** mentre il fattore **K** (**255**) è supportato soltanto dal **G-2800DXC**. quindi questo sistema d’antenne richiede quest’ultimo modello.

**Avvertimento** Noi raccomandiamo di avere un carico entro il 60% del massimo a garanzia di sicurezza.

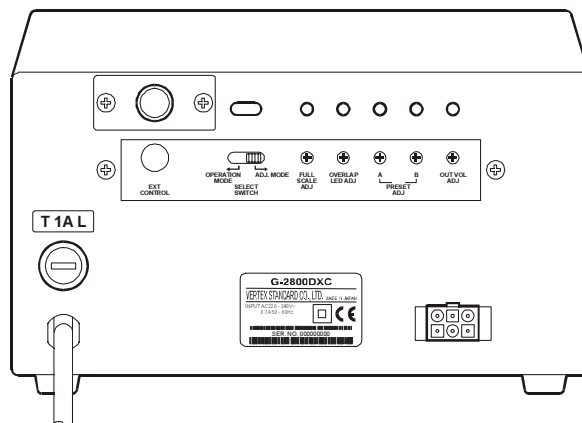


**Nota:** l’installazione di un cuscinetto guida quale **GS-065** non implica l’eliminazione del peso del mast dal calcolo del fattore **K**.

# Montaggio, verifiche e calibrazione

## VERIFICHE ED ALLINEAMENTO AL COPERTO

1. Collegate, per prova, il rotore alla consolle tramite il cavo in dotazione
2. Ruotate a fondo corsa antiorario **SPEED** e ponete il commutatore posteriore **SELECT** a destra su **ADJ. MODE**.
3. Verificate che l'interruttore d'accensione **POWER** sia su "OFF", ora inserite il cavo d'alimentazione sulla presa di corrente.
4. Accendete la consolle. Verificate che le luci guida di questa siano accese
5. Premete **LEFT** (rotazione sinistra) mantenendolo premuto fintanto che raggiunge il fondo corsa antiorario ove si fermerà automaticamente (sinistra indica rotazione antioraria guardando dall'alto il rotore).
6. Quando il rotore si è fermato rilasciate **LEFT** e controllate che l'ago dell'indicatore azimutale sia su 0° (N: nord).  
Se è fuori allineamento togliete la protezione ruotandola di 10° antiorari ed estraetela. Ora estraete l'ago indicatore, dal centro e rimontatelo allineato su 0° (verticale), rimontate lo schermo.
7. Guardate il rotore, appena sopra il connettore ci sono due riferimenti sporgenti (uno sulla campana rotante, l'altro sulla base fissa del rotore). Devono puntare esattamente tra loro. Se non è così segnate sulla campana rotante la posizione a corrispondenza del riferimento posto sulla base fissa, servirà per la calibrazione tramite la procedura seguente.
8. Premete il tasto rotazione **RIGHT** fintanto che i riferimenti (punto 7) sono tra loro allineati. Ora l'ago indicatore, dopo aver ruotato di 360° punterà esattamente su 0°.  
Se non è così ruotate, con un piccolo cacciavite, il potenziometro **FULL SCALE ADJ** posto sul pannello posteriore fintanto che l'ago è su 0°.
9. Premete ancora **RIGHT** e continuate la rotazione destra. Ora noterete che la segnalazione **OVERLAP** si illumina perché avete oltrepassato i 360° di rotazione.  
Se non si accende appena di superano i 360° regolate il potenziometro **OVERLAP LED ADJ** (sul pannello posteriore della consolle) affinché ciò accada
10. Controllate che la rotazione si fermi automaticamente dopo circa 90° (est, con una rotazione complessiva di 540° dal punto di partenza).
11. Premete ancora per alcune volte **LEFT** e **RIGHT** a controllare la regolarità della rotazione. Ora puntate su 90° (est).
12. Impostate **PRESET** su 0° (fondo corsa antiorario) e premete **START**. Il rotore deve girare in senso antiorario e fermarsi esattamente su 0°.  
Se non è così regolate con un cacciavite piccolo il potenziometro **PRESET ADJ A** fintanto che il rotore si ferma esattamente su 0°
13. Impostate **PRESET** su 90° (fondo corsa orario) e premete **PRESET**. Il rotore deve girare in senso orario per 450° e fermarsi esattamente su 90° (est).  
Se non è così regolate con un cacciavite piccolo il potenziometro **PRESET ADJ B** fintanto che il rotore si ferma esattamente su 450°
14. Ripetete i punti 12 e 13 più volte fintanto che non raggiungete queste condizioni stabilmente.
15. Ponete il commutatore **SELECT SWITCH**, posto sul pannello posteriore, tutto a sinistra sulla posizione **OPERATION MODE** e spegnete il dispositivo.
16. La fase di controllo preliminare al coperto del rotore e della consolle termina.



Controller Rear Panel

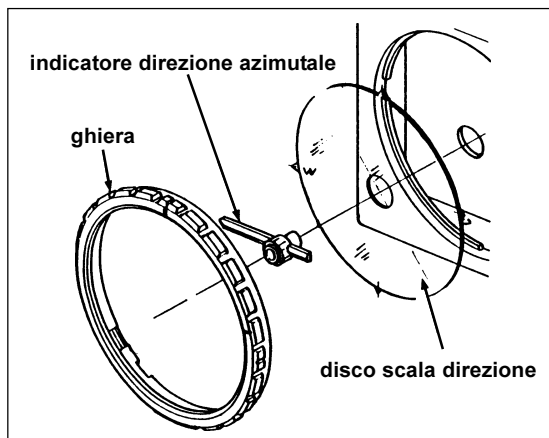
# Montaggio, verifiche e calibrazione

## VERIFICHE ED ALLINEAMENTO AL COPERTO

### Montaggio della scala indicatore azimutale

È fornito anche un disco scala di plastica trasparente, che può essere posizionato con il nord in qualsiasi posizione. È conveniente quando volete, ad esempio, avere il sud sulla parte superiore della scala (o est / ovest) anziché nord.

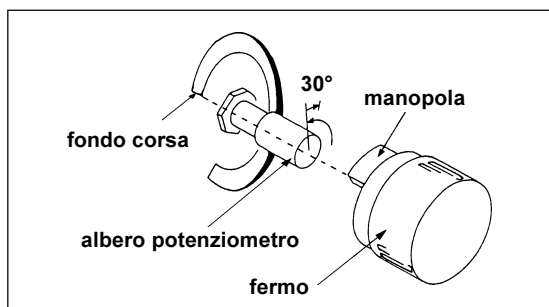
- Accendete l'alimentazione e premete un pulsante di rotazione fino a portare l'ago indicatore azimutale su 0° (verticale), poi spegnete.
- Afferrate la ghiera all'esterno e ruotate di 10° antiorari poi estraetela.
- Prendete nota posizione dell'ago ed estraetelo prendendolo per il centro.
- Stabilite quale direzione volete sia verticale ed inserite la scala sopra la scala azimutale bloccandola tramite il dentino esterno.
- Rimontate l'ago indicatore nella stessa direzione precedente (vedere disegno).



### Calibrazione della manopola PRESET

Questa procedura va eseguita soltanto se non è possibile allineare la scala della manopola **PRESET** intervenendo sui potenziometri **PRESET ADJ A** e **B** come spiegato ai passi 12 – 14 pagina precedente.

- Estrarre la manopola **PRESET**.
- Ruotare il potenziometro a fondo corsa antiorario, poi ruotarlo di 30° in senso orario.
- Prestando attenzione a non ruotare accidentalmente il potenziometro **PRESET** inserire nuovamente la manopola sull'albero ponendo il fermo allineato con il fermo corsa antiorario della fessura entro cui ruota, come indicato nel disegno a destra.
- Ripetete i passi 12 e 13 pagina precedente per allineare la scala **PRESET**.



A procedura completata non dimenticavi di posizionare il commutatore **SELECT**, pannello posteriore, su **OPERATION MODE**.

# Montaggio, verifiche e calibrazione

## MONTAGGIO DEL ROTORE G-1000DXC E DELL'ANTENNA SU UN TRALICCIO

**Importante!!** prima di montare il palo "mast" (portante verticale) sul rotore bisogna forare l'estremità del "mast" per consentire l'inserimento del bullone di blocco rotazione previsto sulle piastre di supporto.

1. Fate un foro da 9 mm di diametro che attraversi su entrambi i lati il "mast" centrato a 50 mm dall'estremità (fig.1). Per avere un corretto allineamento delle piastre assicuratevi che il foro sul "mast" sia perpendicolare e centrato.
2. Fissate il rotore alla piastra del traliccio tramite i bulloni M8 x 16 e le ranelle elastiche in dotazione. Si consiglia di applicare un po' di grasso sulla sommità dei bulloni per facilitarne futuri eventuali smontaggi (fig. 2).
3. Se si usa un cuscinetto di tenuta (come quello opzionale **GS-065**) montate la piastra in sommità del traliccio (fig. 3) con la bulloneria in dotazione.
4. Puntate la bulloneria M8 x25 di fissaggio piastre / "mast" (fig. 5).
5. Tramite un dispositivo di sollevamento inserite dall'altro il tubo "mast" dell'antenna dentro il cuscinetto e poi dentro le piastre, avvitate senza stringere la bulloneria interponendo le ranelle elastiche.

### Avvertimento

un lato della piastra ha rilievi su entrambi i lati dei fori di fissaggio; le viti devono essere inserite qui affinché sia impedita la loro rotazione durante il serraggio.

6. Inserire la vite M8 x 95 in dotazione attraverso le piastre ed il "mast" poi puntarla con il dado fornito.
7. Puntare le viti di fissaggio del cuscinetto e allineare il "mast". Quando è centrato e verticale serrate a fondo.
8. Ora serrate tutte le viti sulle piastre del "mast" eccetto il dado quadro del bullone M8 x 95 che attraversa il "mast".

### Attenzione

non serrate eccessivamente la bulloneria. Va stretto fintanto che la ranelle elastica è schiacciata in piano poi ancora ½ giro, uno al massimo.

9. Installate il connettore rotondo del cavo di comando sulla presa posta nella base del rotore avvitando a fondo la ghiera. Spingete il manicotto di gomma a protezione e bloccatelo nastrandolo la parte terminale con il cavo stesso. Spingendo con una certa pressione migliorate l'impermeabilità della connessione. Fissate il cavo lungo il traliccio in più punti con nastro elettrico e/o fascette resistenti ai raggi ultravioletti.

10. Fatevi aiutare da un amico a regolare la consolle su 0° (nord), deve corrispondere a 180° di rotazione dal fondo corsa. Mentre ruota guardate se la vite da M8 x 95 interferisce tra il "mast" e le piastre di fissaggio. Se così fosse fermate la rotazione e fate in modo, con piccoli aggiustamenti che non accada. A questo punto potete avvitare a fondo il dado quadro.
11. Lasciate sufficientemente lasco il cavo coassiale d'antenna sufficientemente per la rotazione completa di 450° senza che risulti teso. Fissate il cavo lungo il traliccio in più punti con nastro elettrico e/o fascette resistenti ai raggi ultravioletti.
12. A questo punto l'installazione è completa. Se durante l'installazione, avete graffiato il rivestimento di melanina del rotore, potete spruzzare più mani di trasparente acrilico aerosol (vernice spray incolore) per proteggere il metallo dalla corrosione. Verificate il buon funzionamento ruotando completamente le antenne. È meglio vi facciate assistere da un amico al posto di comando perché in caso di problemi (blocchi, stiramenti cavo coassiale, ...) può rapidamente bloccare la rotazione.

### Note sull'installazione

Se avete un lungo "mast" sul traliccio si consiglia caldamente di montare anche un cuscinetto controventato. Quelli che Yaesu propone opzionalmente hanno orecchie laterali che facilitano l'ancoraggio di cavi controvento. Siccome l'installazione di controventi può disallineare assialmente il centro del cuscinetto controventato e il rotore, accertatevi di controllare che il "mast" sia verticale.

**Importante!!** prima di montare il palo "mast" (portante

# Montaggio, verifiche e calibrazione

## MONTAGGIO DEL ROTORE G-1000DXC E DELL'ANTENA SU UN TRALICCIO

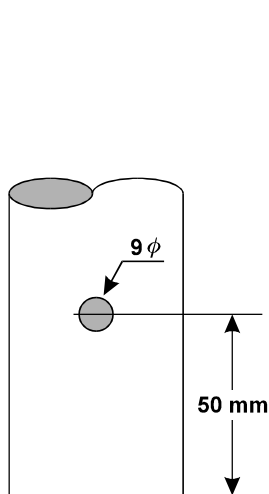


Figura 1

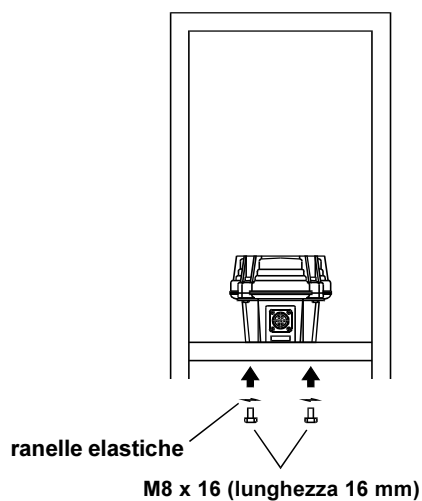


Figura 2

cuscinetto per mast GS-065 (opzionale)

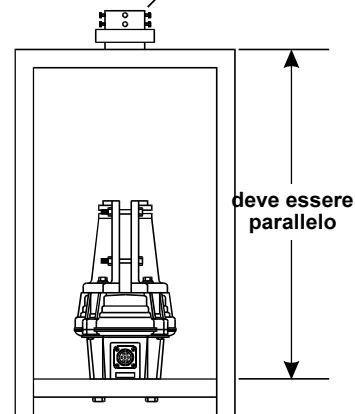


Figura 3

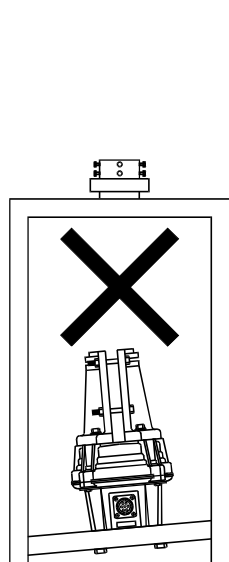


Figura 4

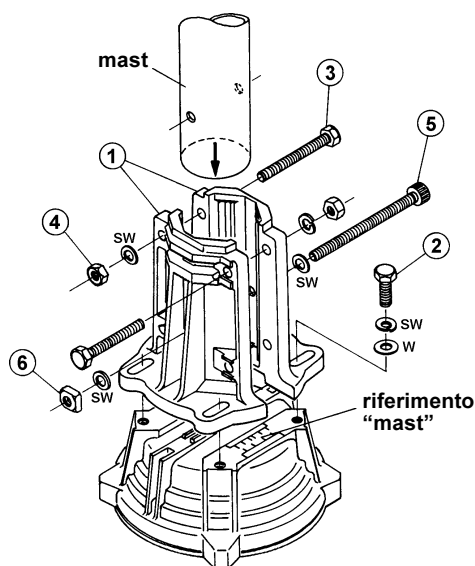


Figura 5

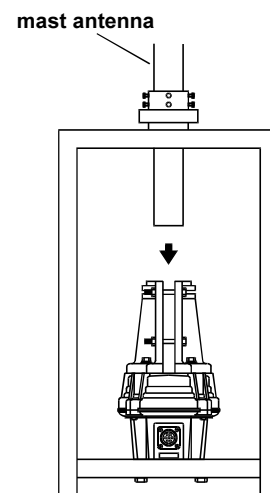


Figura 6

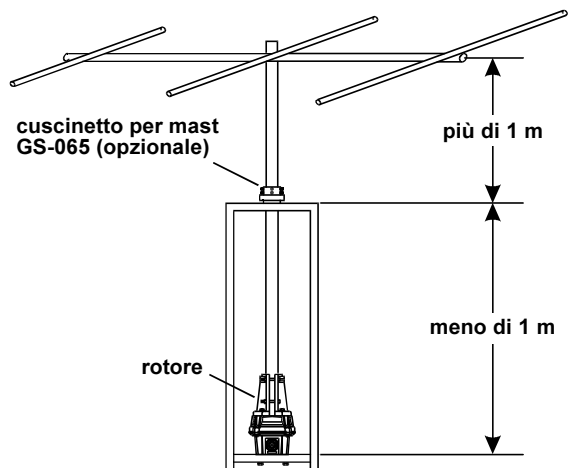


Figura 7

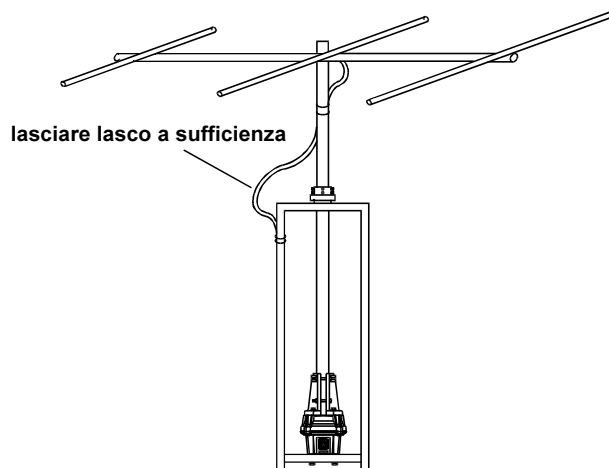


Figura 8

# Montaggio, verifiche e calibrazione

## MONTAGGIO DEL ROTORE G-2800DXC E DELL'ANTENNA SU UN TRALICCIO

verticale) sul rotore bisogna forare l'estremità del "mast" per consentire l'inserimento del bullone di blocco rotazione previsto sulle piastre di supporto.

1. Fate un foro da 9 mm di diametro che attraversi su entrambi i lati il "mast" centrato a 82 mm dall'estremità (fig.9). Per avere un corretto allineamento delle piastre assicuratevi che il foro sul "mast" sia perpendicolare e centrato.
2. Fissate il rotore alla piastra del traliccio tramite i bulloni M8 x 18 e le ranelle elastiche in dotazione. Si consiglia di applicare un po' di grasso sulla sommità dei bulloni per facilitarne futuri eventuali smontaggi (fig. 10).
3. Se si usa un cuscinetto di tenuta (come quello opzionale **GS-065**) montate la piastra in sommità del traliccio (fig. 11) con la bulloneria in dotazione.
4. Puntate la bulloneria M8 x25 di fissaggio piastre / "mast" (fig. 13).
5. Tramite un dispositivo di sollevamento inserite dall'altro il tubo "mast" dell'antenna dentro il cuscinetto e poi dentro le piastre, avvitate senza stringere la bulloneria interponendo le ranelle elastiche.

un lato della piastra ha rilievi su entrambi i lati dei fori **Avvertimento** di fissaggio; le viti devono essere inserite qui affinché sia impedita la loro rotazione durante il serraggio.

6. Inserire la vite M8 x 95 in dotazione attraverso le piastre ed il "mast" poi puntarla con il dado fornito.
7. Puntare le viti di fissaggio del cuscinetto e allineare il "mast". Quando è centrato e verticale serrate a fondo.
8. Ora serrate tutte le viti sulle piastre del "mast" eccetto il dado quadro del bullone M8 x 95 che attraversa il "mast".

non serrate eccessivamente la bulloneria. Va stretto

**Attenzione** fintando che la ranelle elastica è schiacciata in piano poi ancora ½ giro, uno al massimo.

9. Installate il connettore rotondo del cavo di comando sulla presa posta nella base del rotore avvitando a fondo la ghiera. Spingete il manicotto di gomma a protezione e bloccatelo nastrandolo la parte terminale con il cavo stesso. Spingendo con una certa pressione migliorate l'impermeabilità della connessione. Fissate il cavo lungo il traliccio in più punti con nastro elettrico e/o fascette resistenti ai raggi ultravioletti.
10. Fatevi aiutare da un amico a regolare la consolle su

0° (nord), deve corrispondere a 180° di rotazione dal fondo corsa. Mentre ruota guardate se la vite da M8 x 95 interferisce tra il "mast" e le piastre di fissaggio. Se così fosse fermate la rotazione e fate in modo, con piccoli aggiustamenti che non accada. A questo punto potete avvitare a fondo il dado quadro.

11. Lasciate sufficientemente lasco il cavo coassiale d'antenna sufficientemente per la rotazione completa di 450° senza che risulti teso. Fissate il cavo lungo il traliccio in più punti con nastro elettrico e/o fascette resistenti ai raggi ultravioletti.
12. A questo punto l'installazione è completa. Se durante l'installazione, avete graffiato il rivestimento di melanina del rotore, potete spruzzare più mani di trasparente acrilico aerosol (vernice spray incolore) per proteggere il metallo dalla corrosione. Verificate il buon funzionamento ruotando completamente le antenne. È meglio vi facciate assistere da un amico al posto di comando perché in caso di problemi (blocchi, stiramenti cavo coassiale, ...) può rapidamente bloccare la rotazione.

### Note sull'installazione

Se avete un lungo "mast" sul traliccio si consiglia

caldamente di montare anche un cuscinetto controventato. Quelli che Yaesu propone opzionalmente hanno orecchie laterali che facilitano l'ancoraggio di cavi controvento. Siccome l'installazione di controventi può disallineare assialmente il centro del cuscinetto controventato e il rotore, accertatevi di controllare che il "mast" sia verticale.

L'installazione di una antenna orientabile su un traliccio è un'operazione pericolosa che comporta il rischio della

# Montaggio, verifiche e calibrazione

## MONTAGGIO DEL ROTORE G-2800DXC E DELL'ANTENNA SU UN TRALICCIO

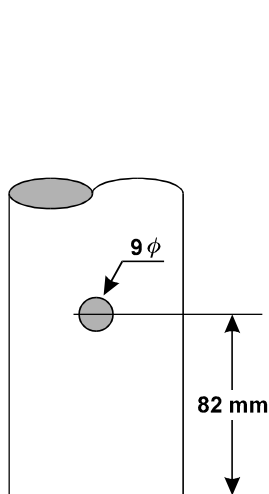


Figura 9

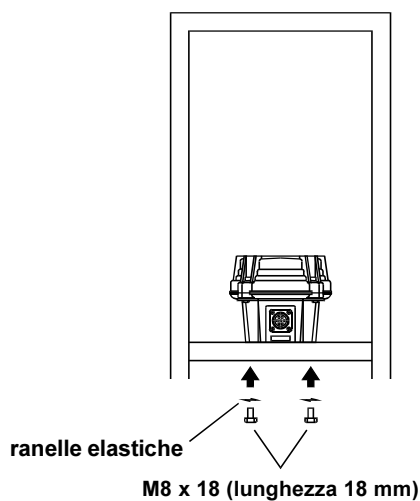


Figura 10

cuscinetto per mast GS-065 (opzionale)

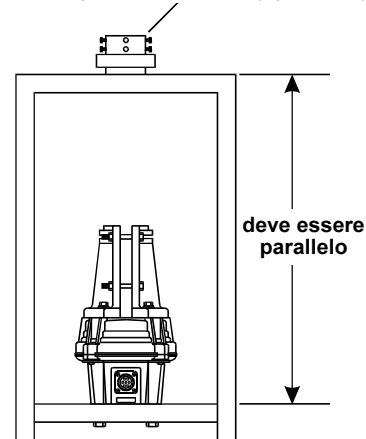


Figura 11

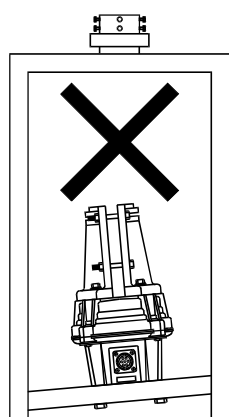


Figura 12

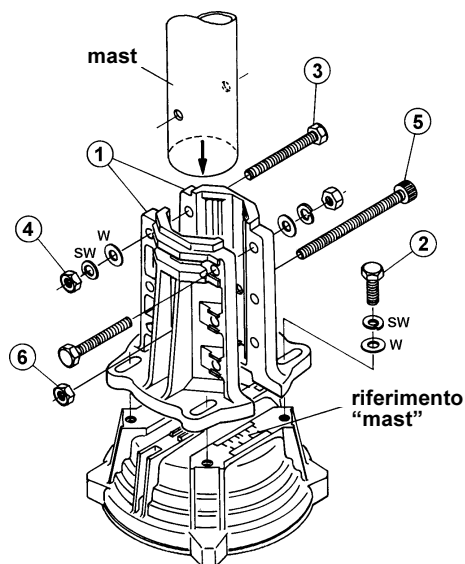


Figura 13

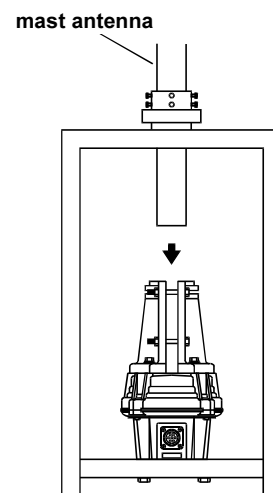


Figura 14

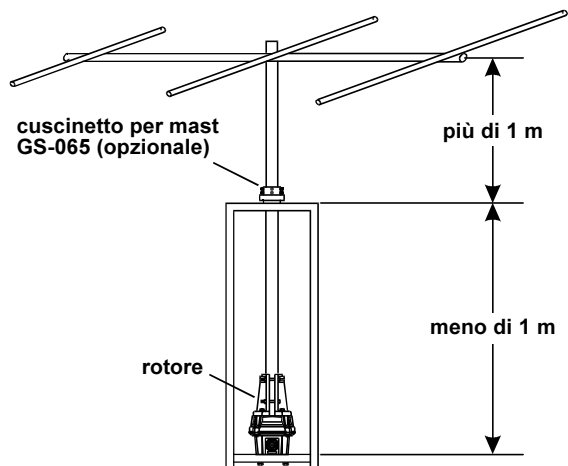


Figura 15

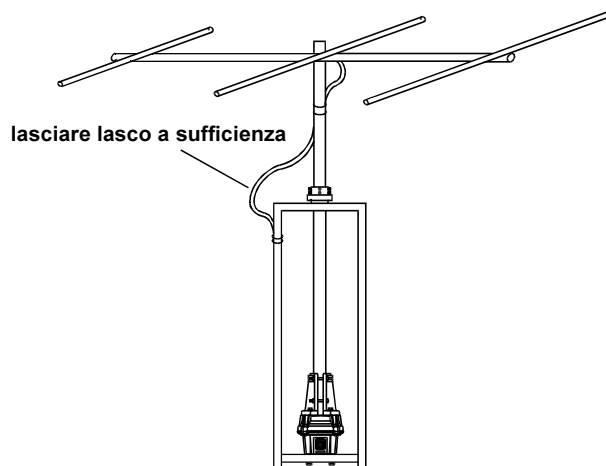


Figura 16

# Importante !

---

vita se non si agisce prudentemente.

Il traliccio non deve mai essere piazzato dove può cadere per cause catastrofiche come la tromba d'aria o il terremoto su linee elettriche.

Il cavo di comando del rotore nel caso sia colpito da fulmine porta all'interno della vostra abitazione tensioni letali. Yaesu raccomando fortemente di inserire affidabili blocchi d'arresto su tutti i cavi e sui cavi coassiali delle antenne. Chiedete al vostro dealer abituale cosa il mercato propone.

Se sapete che sta per arrivare un temporale nella vostra zona rapidamente scollegate tutti i cavi dal retro della

consolle e la spina d'alimentazione. anche i cavi coassiali vanno sconnessi dagli apparati. *Non fate queste operazioni quando i fulmini sono già a voi vicino perché potreste morire all'istante mentre maneggiate i cavi colpiti da un fulmine.*

Se non vi sentite certi delle vostre capacità è conveniente vi rivolgiate ad un antennista specializzato.

**1000DXC**

**G -  
G-2800DXC**

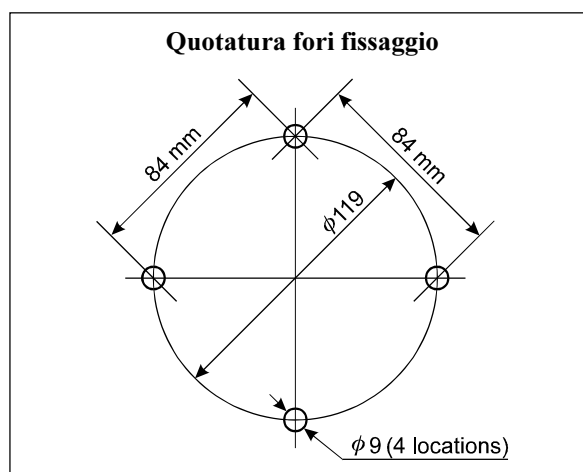


# Specifiche

<b>Alimentazione:</b>	220 - 240 Vca, 50 - 60 Hz	220 - 240 Vca, 50 - 60 Hz
<b>Assorbimento:</b>	0,5 A	0,7 A
<b>Tensione rotore:</b>	11 - 24 Vcc	11 - 24 Vcc
<b>Tempo rotazione 360° (scarico):</b>	da 100 ± 10 s a 40 ± 5 s (regolabile)	da 120 ± 10 s a 50 ± 5 s (regolabile)
<b>Rotazione completa:</b>	450° ± 3°	450° ± 3°
<b>Coppia rotazione (@230 Vcc):</b>	da 600 a 1.100 kgf-cm	da 800 a 2.500 kgf-cm
<b>Coppia freno:</b>	6.000 kgf-cm	25.000 kgf-cm
<b>Massimo carico verticale:</b>	200 kg o meno (continuo) 800 kg (istantaneo)	300 kg o meno (continuo) 1.200 kg (istantaneo)
<b>Massimo diam. est. "mast":</b>	da $\phi$ 38 a $\phi$ 63	da $\phi$ 48 a $\phi$ 63
<b>Tipo freno:</b>	blocco meccanico ed elettrico	blocco meccanico ed elettrico
<b>Coefficiente K antenne:</b>	230 o minore	950 o minore
<b>Area carico vento:</b>	0.75 m <sup>2</sup> x 0.6 m o meno (a palo) 2.2 m <sup>2</sup> or meno (con traliccio)	1 m <sup>2</sup> x 0.8 m o meno (a palo) 3 m <sup>2</sup> or meno (con traliccio)
<b>Carico mass. continuo:</b>	3 minuti	3 minuti
<b>Gamma temperatura operativa:</b>	0 / +40 °C (consolle) -10 °C / +40 °C (rotore)	0 / +40 °C (consolle) -10 °C / +40 °C (rotore)
<b>Dimensioni rotore:</b>	$\phi$ 186 x 300 mm	$\phi$ 200 x 345 mm
<b>Peso rotore:</b>	circa. 3,6 kg	circa 6,5 kg
<b>Dimensioni consolle:</b>	200 (L) x 130 (A) x 193 (P) mm	200 (L) x 130 (A) x 193 (P) mm
<b>Peso:</b>	circa 2,8	circa. 3,8

questo apparecchio rispetta i seguenti standard:  
EMC direttiva 89/336/EEC: EN50081-1 e EN50082-1  
LVD 73/23 EEC: EN60065

*Le specifiche possono variare senza preavviso.*



# Accessori e opzioni

---

---

## DISIMBALLO ED ISPEZIONE

---

---

Quando estraete dall'imballaggio il rotore accertatevi di trovare le seguenti parti:

<b>G-1000DXC</b>	<b>QUANTITÀ</b>	<b>G-2800DXC</b>	<b>QUANTITÀ</b>
Consolle	1	Consolle	1
Rotore	1	Rotore	1
Piastra "mast"	1 coppia	Piastra "mast"	1 coppia
Cavo connessioni (25m)	1	Cavo connessioni (40m)	1
Vite testa M8 x 95 mm	1	Vite testa M8 x 95 mm	1
Bullone esagonale M8 x 16 mm	4	Bullone esagonale M8 x 18 mm	4
Bullone esagonale M8 x 25 mm	4	Bullone esagonale M8 x 30 mm	4
Bullone esagonale M8 x 70 mm	4	Bullone esagonale M8 x 70 mm	4
Ranella elastica	14	Ranella elastica	14
Ranella piana	4	Ranella piana	4
Dado M8	4	Dado M8	7
Dado quadro	1	Dado quadro	1
Fusibile ricambio	1 (1A)	Fusibile ricambio	1 (1A)
Disco plastica scala	1	Disco plastica scala	1

Se qualunque elemento di questa lista fosse mancante o danneggiato segnalatelo alla compagnia che ne ha curato il trasporto (o al negoziante), conservate l'imballo a testimonianza

---

---

## ACCESSORI OPZIONALI

---

---

<b>GC-038</b>	Piastra "mast" (per <b>G-1000DXC</b> )
<b>GC-048</b>	Piastra "mast" (per <b>G-2800DXC</b> )
<b>GS-050</b>	Cuscinetto guida universale (per "mast" 50 mm)
<b>GS-065</b>	Cuscinetto guida universale (per "mast" 65 mm)
<b>GS-232A</b>	Unità controllo via computer (RS-232C seriale)
<b>G-40MWP</b>	Cavo comando (40 m: per <b>G-1000DXC</b> )
<b>GA-2500</b>	Giunto ammortizzato (per <b>G-1000DXC</b> )
<b>GA-3000</b>	Giunto ammortizzato (per <b>G-2800DXC</b> )





Copyright 2001  
VERTEX STANDARD CO., LTD.  
All rights reserved

No portion of this manual  
may be reproduced without  
the permission of  
VERTEX STANDARD CO., LTD.

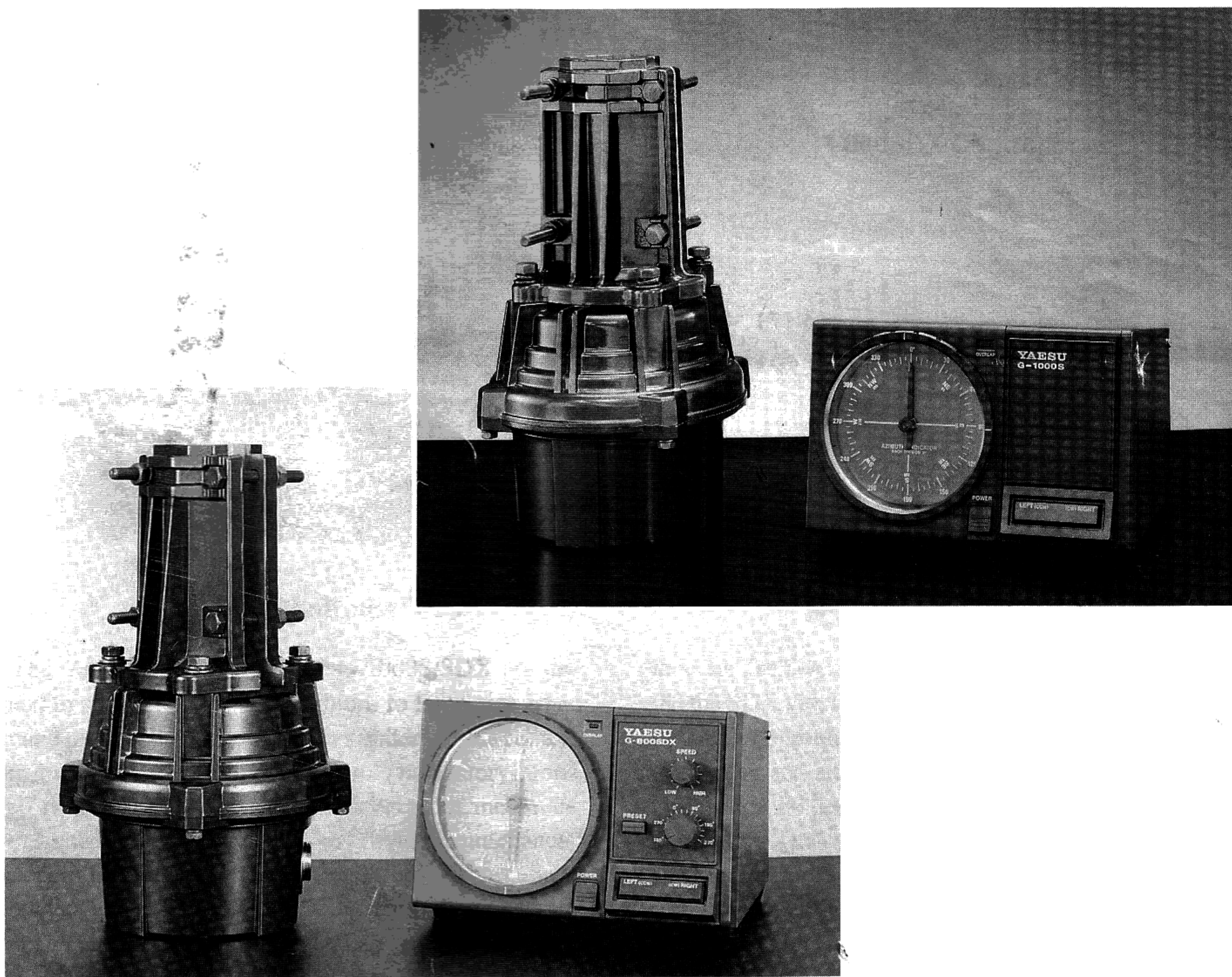
Printed in Japan.





# Instruction Manual

**G-800S/G-1000S  
G-800SDX/G-1000SDX**



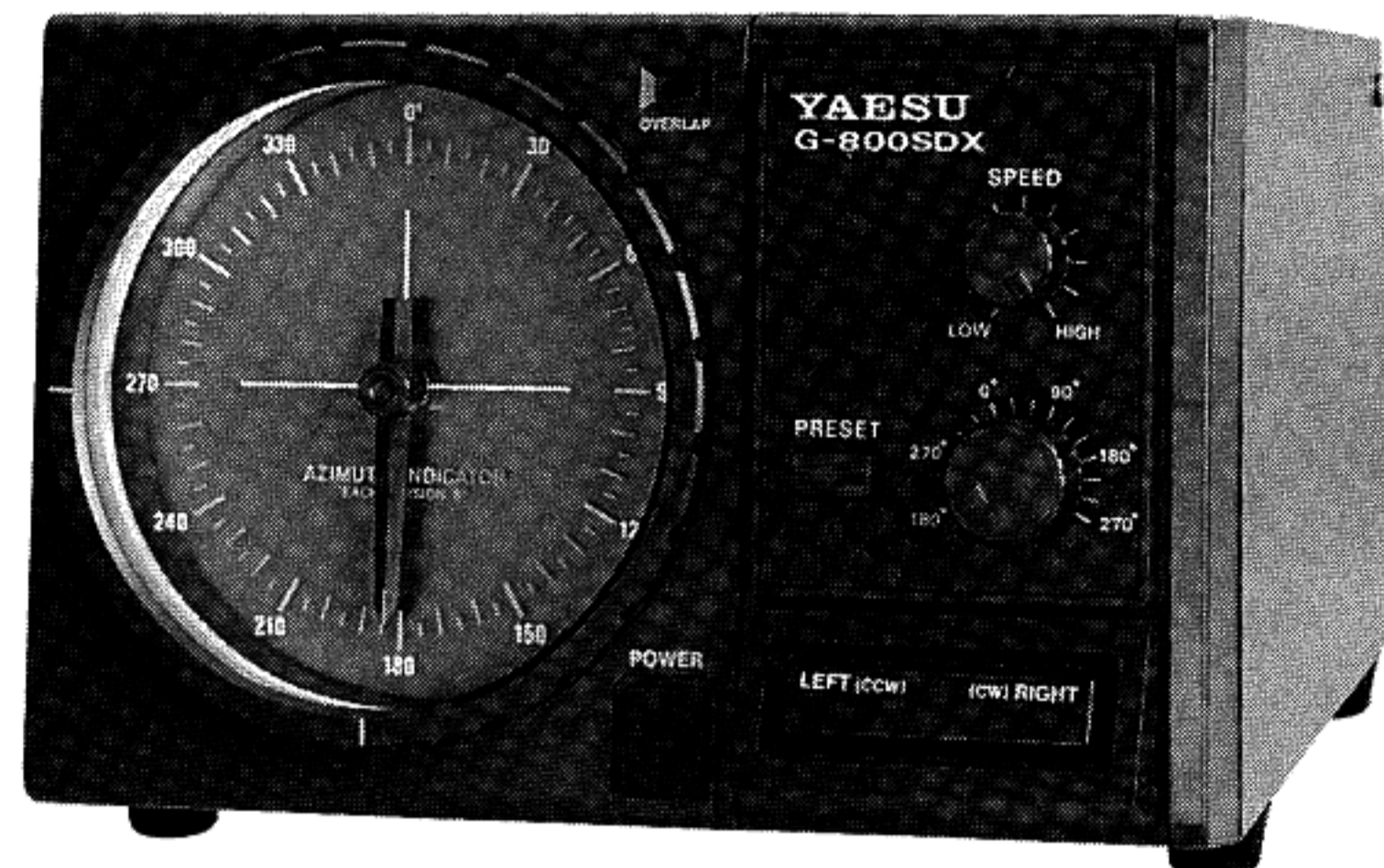
**Yaesu Musen Co., Ltd.  
C. P. O. Box 1500  
Tokyo, Japan**



# YAESU G-800S/SDX & G-1000S/SDX Heavy-Duty Antenna Rotator & Controllers



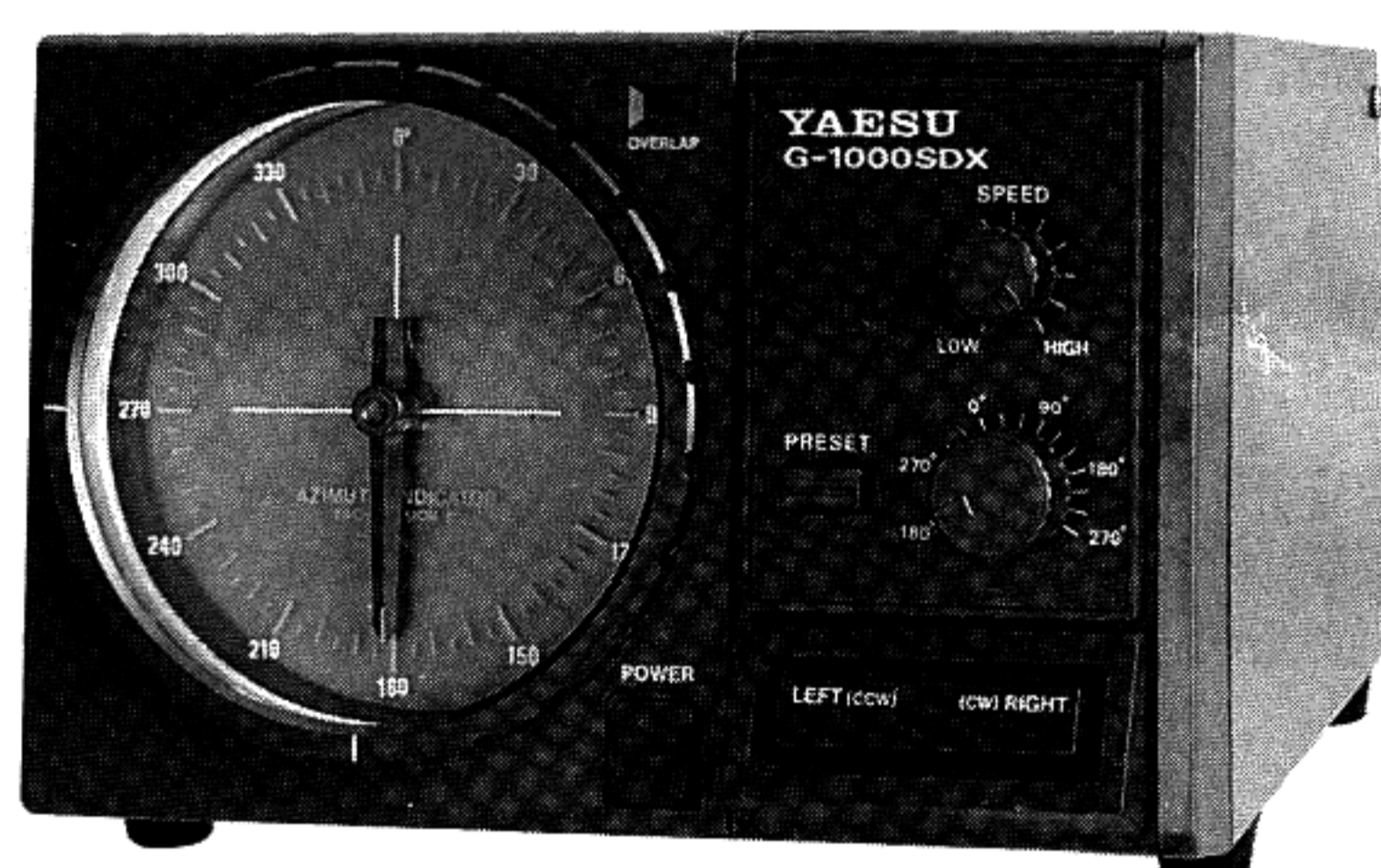
**G-800S Controller**



**G-800SDX Controller**



**G-1000S Controller**



**G-1000SDX Controller**

The Yaesu G-800S/SDX and G-1000S/SDX are designed to support and rotate medium- to large-size amateur and professional antenna arrays under remote control from the station operating position. The factory-lubricated rotator unit is housed in weatherproof melamine resin coated die-cast aluminum, to provide maintenance-free operation under all climatic conditions. A mast alignment gauge on the rotator housing simplifies accurate mechanical alignment during installation.

The controller unit is a handsomely-styled desktop unit which provides 360° indication of actual antenna bearing azimuth, in both compass direction and degrees. The deluxe SDX versions include operator selectable rotating speeds from 43 to 93 seconds per rotation. Hands-free operation is provided by both S and SDX

versions: the S version having locking direction switches, and the SDX version having a preset feature which brings the antenna around to the preset heading automatically after being set, and slows rotation speed as the antenna approaches the desired heading to bring the antenna to a gentle stop. The operator may select the stopper heading (the bearing through which the rotator cannot be turned) most convenient for his location and operation, allowing full rotation through north, south or both, if desired. In any case, 90° overlapping rotation allows rotation through the selected stopper heading.

Plug connectors are provided on both the rotator and the controller, so cable connection and servicing is simple. Please read this manual carefully before installing the rotator.



# Specifications

**Voltage requirement:**

110-120 or 220-240 VAC

**Power consumption:**

100 VA

**Motor voltage:**

S vers.: 20 VDC

SDX vers.: 12 to 22 VDC

**450° rotation time:**

S vers.: 55 sec.

SDX vers.: 93±10 sec. to 43±15 sec.

**Braking torque:**

G-1000S/SDX: 6,000 kg-cm (434 ft-lbs)

G-800S/SDX: 4,000 kg-cm (289 ft-lbs)

**Rotation torque (all models):**

600-1100 kg-cm (43.4-79.5 ft-lbs)

**Maximum continuous duty:** 5 minutes

**Rotation range:** 450° +0/-5°

**Maximum vertical load:**

200 kg (440 lbs)

**Wind loading area:**

Tower Mounted: less than 0.45 m<sup>2</sup>

Mast Mounted: less than 2.2 m<sup>2</sup>

**Control cable:**

5-conductors: #20 AWG or larger

**Mast diameter:**

38 - 63mm (1- to 2- inches)

**Weight:**

G-1000S/SDX Rotator: 3.5 kg (7.7 lbs)

G-800S/SDX Rotator: 3.4 kg (7.5 lbs)

S Controller: 3.2 kg (7.0 lbs)

SDX Controller: 3.6 kg (7.9 lbs)

## UNPACKING & INSPECTION

When unpacking the rotator confirm the presence of the following items:

Rotator Unit	1
Controller Unit	1
Mast Clamp	1 pair*
Round Cable Plug	1 ass'y
Rectangular Cable Plug	1 ass'y
Hex Bolts -	
M8 x 16	4
M8 x 25	4
M8 x 70	4
M8 Square Nut	1
Split washer	14
Flat washer	4
M8 Nuts	4
M8 x 95 Socket Hd. Cap Screw	1
Spare Fuse (117V:2A, 220V:1A)	1
Dial Heading Sheet	1

If any of these items are missing or damaged, save the packing material and notify the shipping company (or shop where you bought it).

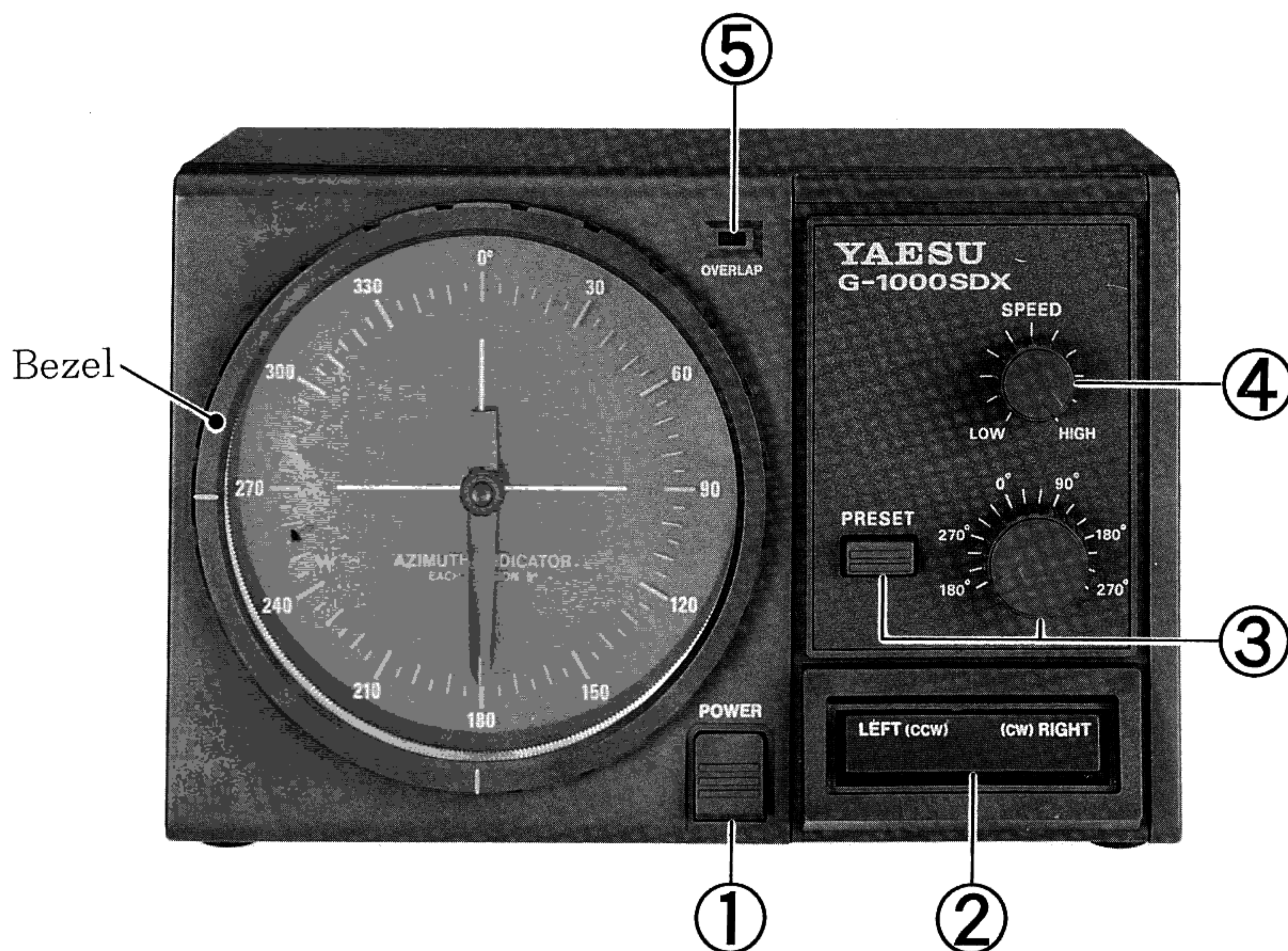
Note that control cable is not included, as the length must be determined case-by-case. Contact your Yaesu dealer to obtain the length of cable your installation requires.

Before proceeding with installation, confirm that the AC voltage label on the rear of the Controller matches your local line voltage: either "117V" for 110 to 120 VAC, or "220" for 220 to 240 VAC. If the labelled voltage range does not match, return the controller to the dealer from whom you purchased it (different power transformers are installed for the different voltage ranges).

\*If you plan to install the rotator on the mast, above or without a tower, contact your Yaesu dealer to purchase a second clamp (model GC-038 or GC-048).



# Controller Adjustments & Switches



## Front

### (1) POWER Switch

Press this switch to turn the Controller on to rotate the antenna. Turn it off when the rotator is not in use.

### (2) LEFT(ccw) / RIGHT (cw) Seesaw Switch

Press the **LEFT** side of this switch to rotate the antenna counterclockwise. Press the **RIGHT** side to rotate the antenna clockwise. In S versions only, pressing one side of the switch once will start rotation, and pressing the same side again will latch the rotator on (so you can remove your finger). Pressing the other side of the switch once will stop rotation.

### (3)\* PRESET Switch and Control

Set this control to the desired antenna heading (according to the angular scale around this control), then press the (momentary) **PRESET** switch to activate auto-

matic rotation to the desired heading. The **LEFT/RIGHT** switch will abort preset operation.

### (4)\* SPEED Control

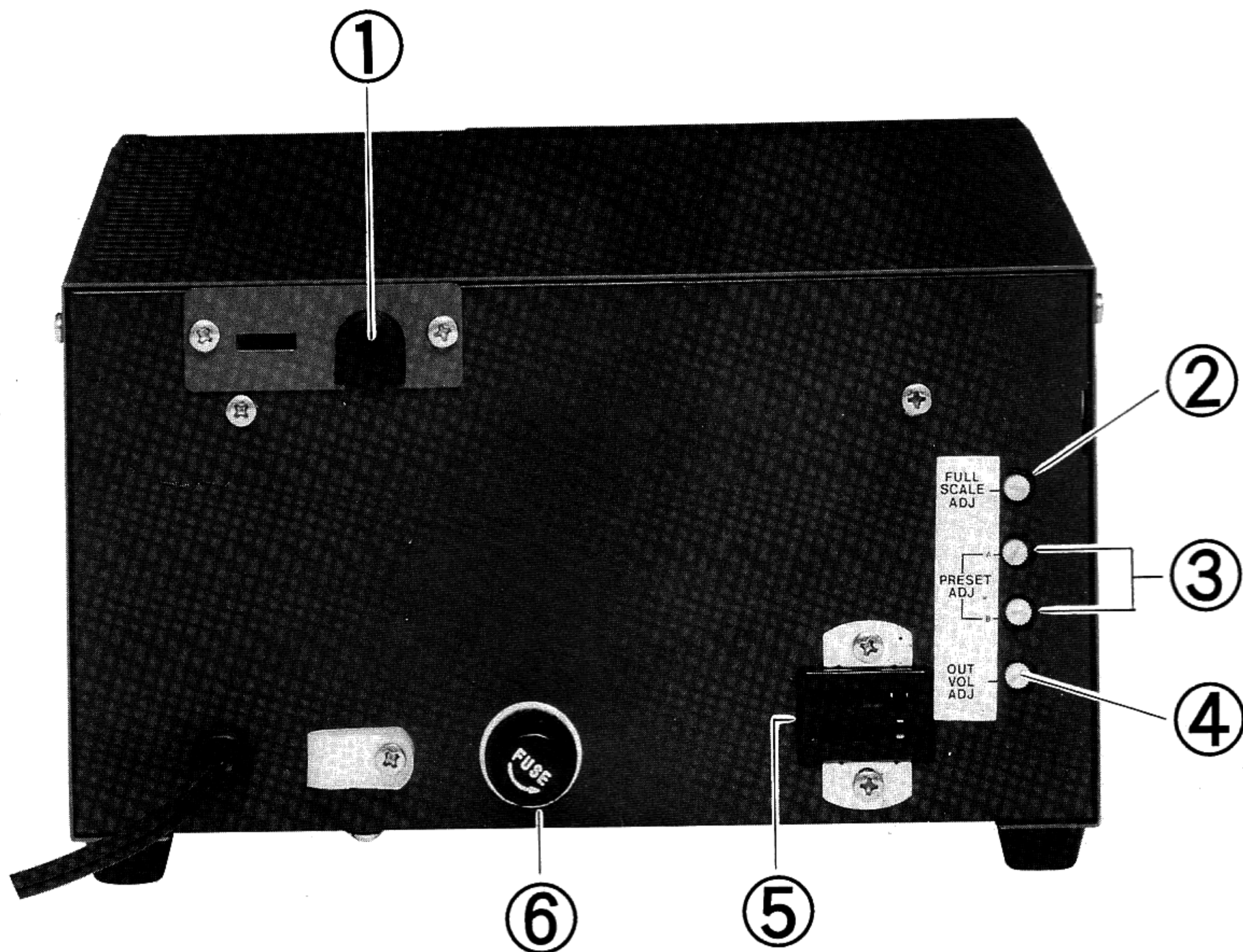
Set this control for the desired rotating speed between approximately 43 and 93 seconds per 450° revolution.

### (5) OVERLAP Indicator

This red LED glows when the antenna is rotated beyond about 180° (to 270°) from its original installation direction (180°). Check this indicator before rotating the antenna clockwise, and turn the antenna counterclockwise to the desired position if the indicator is on.

\*SDX versions only.





## Rear

### (1)\* RS-232C Cable Grommet

If the optional Digital Interface Unit is installed, the RS-232C cable to the computer exits through this grommet and passes through the nylon cable clamp below it.

### (2) FULL SCALE ADJ Potentiometer

This control calibrates the maximum rotation angle of the azimuth indicating needle to match the maximum angle of the rotator.

### (3)\* PRESET ADJ A & B Potentiometers

These controls calibrate the angle of the PRESET control on the front panel to match the azimuth indicating needle. Pot A must be adjusted only at the 270° position, and pot B only at the 180° position.

### (4)\* OUT VOL ADJ Potentiometer

This control presets the voltage range at pin 4 of the 8-pin External Control jack inside, for calibration of the A-to-D converter on the (optional) Digital Interface Unit.

### (5) Rotator Control Cable Jack

The rotator cable connects to this 6-pin jack.

### (6) FUSE Holder

A 2-A fuse must be installed here for AC mains voltages from 110 to 120V. A 1A fuse must be installed for 220 to 240V.

\*SDX versions only



# Control Cable Installation

Before installing the antenna and rotator, prepare the rotator control cable and test rotator operation thoroughly on the ground as described here. We recommend that after this you also check the alignment of the controller, as described in the following section.

## Control Cable Preparation

Your control cable should have five stranded conductors of at least 0.5mm (#22 gauge) if the cable is shorter than 40m (125'), or 0.75mm (#18 gauge) if longer.

1. Disassemble the two supplied cable plugs: slide the rubber boot off the round plug, remove the setscrew in the shell with a small screwdriver, and then unscrew the shell from the plug. On the rectangular plug, just remove the two small screws in the shell. Save the setscrew from the round plug and the two small screws in a safe place until step 9, so you don't lose them.

2. Slide the rubber boot and round shell over the rotator end of the cable, far enough to allow dressing the end of the cable. Slide the rectangular shell over the other (controller) end of the cable.

3. Using special care to avoid nicking the insulation of the individual wires, strip back 15mm of the outer jacket of the cable from both ends, and then strip 5mm of insulation from each wire.

4. Solder the wires to the round plug pins, noting the color of the wire and number of each pin for reference later. Pin 6 (center pin) is not used. Confirm all solder

joints are good and clean, as this part of the cable will be hard to access after installation. Don't slide the shell on yet.

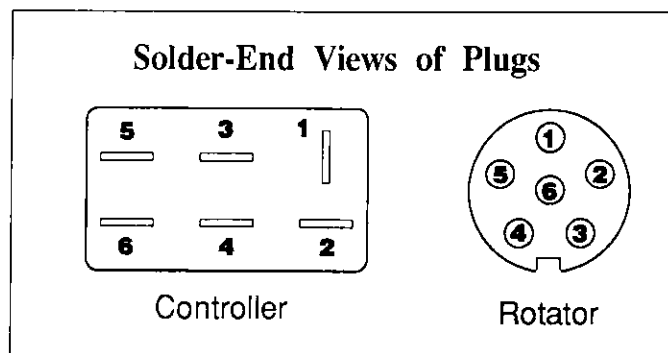
5. Referring to your notes of the wire color at each pin on the round (rotator) plug, connect the wires to the pins of the rectangular (controller) plug so that the wire from each pin on the rotator plug connects to the pin with the same number on the controller, ie., 1 to 1, 2 to 2, etc. Pin 6 is not used. Don't slide the shell on yet.

6. Temporarily connect the round plug to the rotator, and the rectangular plug to the jack on the controller. Make sure that the **POWER** switch is in the off (out) position, and then connect the cord to the AC power outlet.

7. Turn on the **POWER** switch. The pilot lamps should light, and the direction indicator move to the position of the rotator and stop.

8. Press the **LEFT** side of the seesaw switch, and confirm that the rotator (when viewed from the top) and indicator needle turn counterclockwise together. Then press the **RIGHT** side of the seesaw switch and confirm that the rotator and indicator turn clockwise. If rotation does not occur as described, recheck your cable connections.

9. If the rotator and indicator work as described, replace the plug shells, setscrew, two small screws and rubber boot removed in step 1.



# Controller Checkout & Alignment

These steps are most easily carried out after connecting the rotator cable, before installing the rotator and antenna on the mast or tower. They may be repeated after installation to confirm controller calibration.

1. Press the **LEFT** side of the seesaw switch\* until the rotator turns counterclockwise as far as it will go, and stops. The indicator needle should now point precisely to 180°. If it does not, or if you want to change the starting angle, see "*Repositioning the Direction Indicator*" following this procedure.

2. Note the precise position of the rotator\*\* by referring to the marks on the rotator housing just above the cable socket. Then press the **RIGHT** side of the seesaw switch to turn the rotator clockwise exactly 180° (according to the marks on the housing or actual antenna position).

3. The indicator needle should now point to exactly the same position as in step 1. If not, adjust the **FULL SCALE ADJ** potentiometer on the rear panel so that it does. The **OVERLAP** indicator should come on at about 180°.

4. Press the **RIGHT** switch again to continue clockwise rotation until the rotator reaches its end-stop. The indicator should now point to about 270°, and the **OVERLAP** indicator should be on.

5. Turn the rotator back and forth to each end-stop several times, confirming that the indicator matches the rotator angle at different settings.

The remaining steps on this page are for the SDX versions only.

6. Change the **SPEED** setting and confirm that rotation speed changes accordingly.

7. Set the **PRESET** control to 180° (7 o'clock), and press the **PRESET** button (see the box below). Rotation should stop at 180°. Now turn the **PRESET** control slightly clockwise, and note whether the rotator moves. If the rotator stopped before the indicator reached 180°, or if it did not respond when the **PRESET** control was set slightly clockwise, adjust the **PRESET ADJ B** (lower) potentiometer and repeat this step.

8. Set the **PRESET** control to 180° (2 o'clock). Rotation should again stop at 180°. If not, adjust the **PRESET ADJ A** (upper) potentiometer and repeat this step.

## **PRESET MODE OPERATION** (SDX versions only)

Pressing the **PRESET** button activates the preset mode: the rotator will turn until the indicator matches the **PRESET** control, and resetting the control will start the antenna turning again automatically. Pressing the seesaw switch or turning power off will cancel the preset mode until the **PRESET** button is pressed again.

---

\*In SDX versions, set the **SPEED** control fully clockwise, and then hold the seesaw switch during rotation. In S-versions, press the seesaw switch momentarily to start rotation, and press the other side of the switch to stop.

\*\*If the rotator and antenna are already installed, note the exact bearing of the antenna boom instead of the marks on the rotator housing.

## Repositioning the Azimuth Indicator

The azimuth indicating needle may be repositioned, if desired, so that the rotator stopping point is south (or east or west) instead of north (as shipped from the factory). Of course the rotator and antenna will have to be installed to match the direction indicator.

1. Turn on the controller and press the seesaw switch to set the indicator needle to 180° (straight down). Then turn off the **POWER** switch.

2. Grasp the edge of the bezel, turn it 10° counterclockwise, and pull it off.

3. Gripping the needle, move it to the desired heading (we suggest only multiples of 90° - that is N, E, S or W, since the orange and blue markers on the bezel can only be installed in these directions).

4. Replace the bezel so that the orange marker ends down aligned with the needle.

**NOTE:** When installing the antenna after resetting the needle direction, make sure to aim the antenna in same direction as the new needle setting.

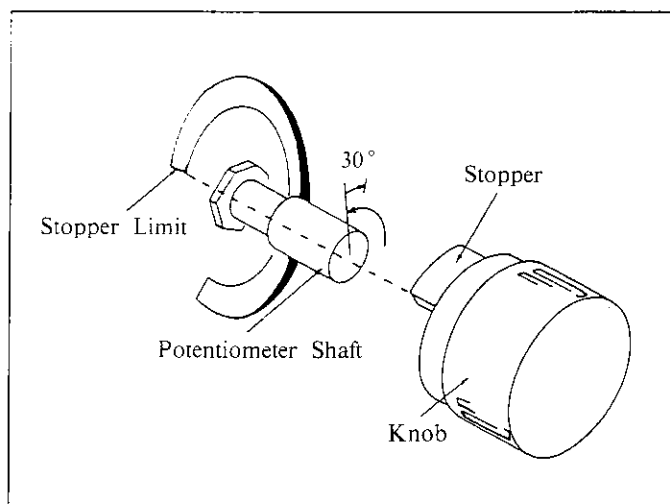
The compass heading labels can also be repositioned on the direction indicator face, for situations where it may

be more convenient to have the upmost indicator position be other than north.

- Perform steps 1 and 2 of the procedure at the left.
- Note the position of the needle, then grasp it at its center, and pull it straight off.
- Push the E and W (or N and S) sides of the compass heading label sheet towards the center, and remove the sheet.
- Determine which compass direction you desire to be upmost, and reinstall the compass heading label sheet.
- Replace the needle and bezel in the same direction as they were before.

## PRESET Knob Alignment (SDX vers. only)

If it is not possible to calibrate the **PRESET** knob using the A and B potentiometers on the rear panel, pull off the **PRESET** control knob, turn the shaft fully counterclockwise, and reinstall the knob with its pointer at 180° on the **PRESET** scale. The knob stopper should be aligned with the counterclockwise edge of the slot in the panel behind the knob.

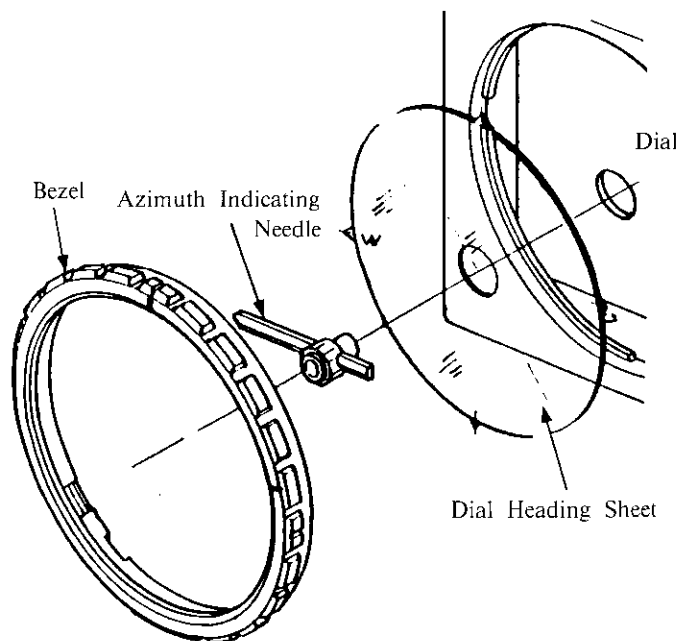


### ***Installing the Dial Heading Sheet***

A clear plastic round dial heading sheet is provided with the kit, which can be installed with north at any position you desire. This is particularly useful when you need to have south at the top of the dial (or east or west) instead of north. To install the heading scale:

- Perform the first two steps of the above procedure, "*Repositioning the Azimuth Indicator*".
- Note the position of the needle, then grasp it at its center, and pull it straight off.
- Determine which compass direction you desire to be upmost, and install the compass heading label sheet against the azimuth scale, so that the small teeth in the edges of the sheet lock around the edge.

Replace the needle, cover glass and bezel in the same direction as they were before.



# Rotator Installation

The G-800S/SDX rotator unit is designed to accommodate medium-size antenna arrays, while the G-1000S/SDX rotator unit is designed to accommodate large antenna arrays. The maximum safe load depends on the wind surface area, size and weight of the antenna(s), method and quality of mechanical installation, and maximum wind velocity at the installation site. If your antenna specifications do not include wind surface area, refer to the Chart on this page.

The diagrams below show several recommended installations. Notice that mounting the rotator inside of a tower provides the greatest support capacity (antenna wind surface area up to 2m for the G-800S/SDX, or 2.2m for the G-1000S/SDX), and is preferable for larger antennas or in high-wind areas. Use our GS-050 or GS-065 Tower Mount Bearing at the top of the tower (and make sure that the bearing is aligned precisely with the center of the rotator, so the mast is exactly vertical).

If the rotator is mounted on the mast above the tower it should be as close to the antenna as possible, to minimize the stress on the rotator caused by wind pressure against the antenna. This bending force on the rotator limits the supporting capacity of this type of installation to antennas with not more than 0.45/Lm square meters of

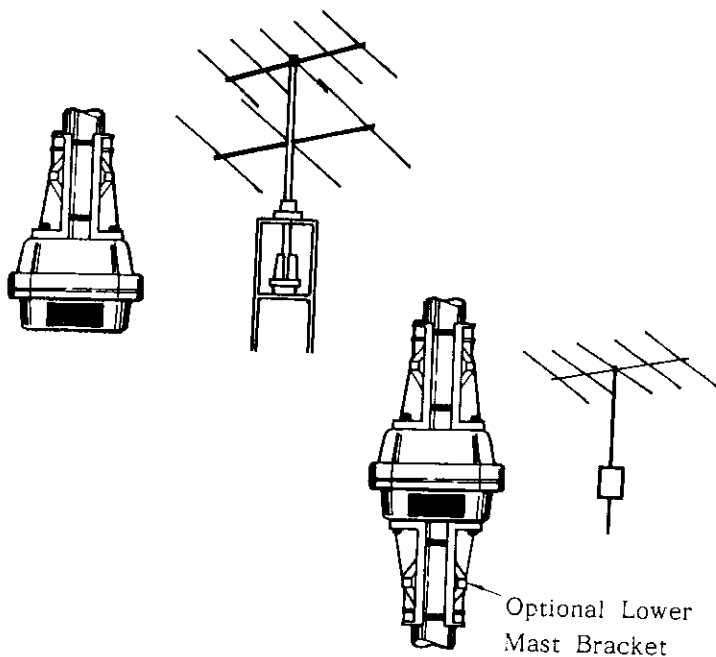
wind surface area, where Lm is the length of mast (in meters) between the antenna and rotator.

In addition to antenna wind loading and regardless of the type of installation, the overall size and weight of the antenna should be considered. As a general rule, for the G-800S/SDX, the product of the rotating radius and weight of the antenna should not exceed 180 kg-m (1299 ft-lbs), and for the G-1000S/SDX, 230 kg-m (2020 ft-lbs).

Where multiple antennas are to be installed on the same mast, make sure to add the wind loading for each antenna, and the products of weight and radius for each when calculating the above loading factors.

Make certain that the antenna attaches to the mast at the center of gravity of the antenna. That is, the antenna should be balanced, providing only downward force on the mast (when there is no wind). These rotators can support up to 250 kg (550 lbs).

Be sure to leave enough slack in the coaxial cable feedline around the rotator so that it can rotate 450°.



Antenna Wind Surface Area Chart

Freq. (MHz)	Elements	Area m <sup>2</sup>	Freq. (MHz)	Elements	Area m <sup>2</sup>
7	2	2.2	14/21	3 Tr	0.4
7	1	0.2	14/21	4 Tr	0.5
7	2 Lc	0.6	21/28	3 Tr	0.3
7	3 Lc	1.1	21/29	4 Tr	0.4
14	3	0.7	14/21/28	3 Tr	0.4
14	4	1.2	14/21/28	4 Tr	0.4
14	5	1.7	50	4	0.25
21	3	0.45	50	5	0.3
21	4	0.6	50	6	0.37
21	5	0.8	50	2 SQ	0.3
21	6	1.3	144	10	0.2
21	2 SQ	0.3	144	10 x 2	0.44
28	3	0.3	144	10 x 4	0.95
28	4	0.42	144	10 x 2 x 4	2.0
28	5	0.6	430	12	0.06
28	2 SQ	0.3	430	12 x 2	0.12
7/14	3 Tr	0.5	430	12 x 4	0.3
7/14	4 Tr	0.8	430	12 x 2 x 4	0.6

\* Lc = with loading coils  
 SQ = Swiss Quad configuration  
 Tr = Trapped multibander  
 No marking = full-size monobander

## Mast Bracket Assembly & Antenna Positioning

**Important!!** Before mounting the mast to the rotator, a single hole must be drilled through the bottom of the mast to accommodate an anti-twist support bolt:

- ❑ Drill a 9-mm diameter hole through both walls of the mast, centered 50 mm from the mast bottom (as shown in the figure below). Ensure the drill is maintained perpendicular and centered when making the hole, to ensure proper alignment of the holes in the mast and those of the base mast support bracket.
- ❑ Loosely fasten the mast bracket halves (1) to the rotator housing using four short bolts, split washers and flat washers (2).
- ❑ Insert the mast into the bracket and turn it so the holes in the mast bottom coincide with those in the base support clamp. Insert and finger-tighten the five longer bolts (3) with split washers, flat washers and nuts (4).
- ❑ Set the controller so that it indicates precisely 0° (North). Then, using an accurate map and known landmarks, position the antenna (without using the controller) so that it points to true North. Alternatively, consult a Geodetic Survey map for your area to determine the Magnetic Deviation at your location, and then use a compass to position the antenna so that it points to true North (Magnetic North + Magnetic

**Caution!**

The G-800 and G-1000 rotators are designed for vertical mounting only. One half of the housing is marked "TOP SIDE". Water and contaminants will damage the motor unit if it is mounted horizontally or upside-down.

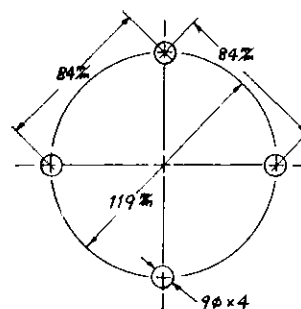
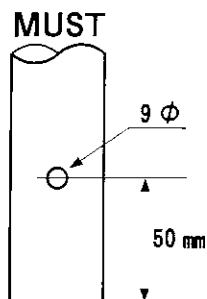
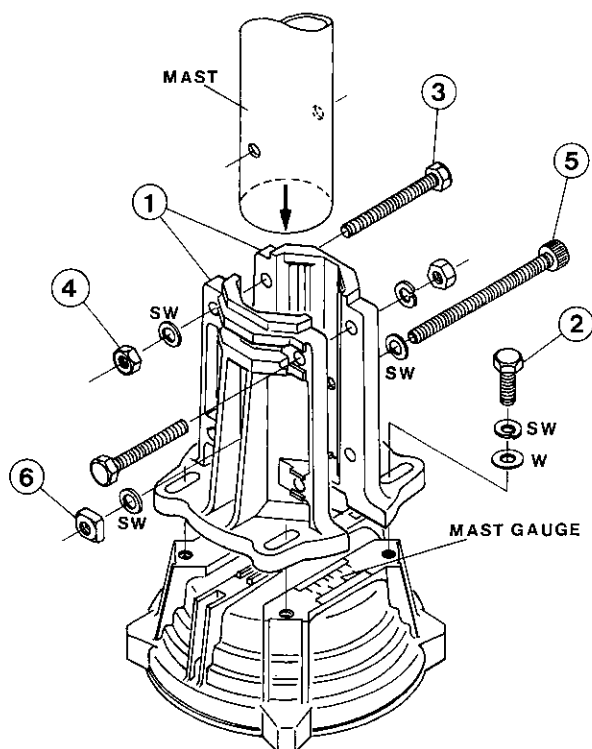
Deviation). Be careful not to disturb the antenna direction when tightening the mast bracket in the next step.

- ❑ Referring to the mast gauge markings on the rotator housing, tap the mast bracket halves to center the mast while alternately tightening the short bolts (2) and nuts (4) on the long bolts alternately.

### Warning!!

Take care not to overtighten the five clamp bolts. Do not torque the bolts beyond the point where the spring split-washer flattens.

The rotator motor is rated for five-minutes intermittent duty. However, it can safely run continuously for as long as ten minutes providing that it be brought to rest for at least ten minutes afterwards.



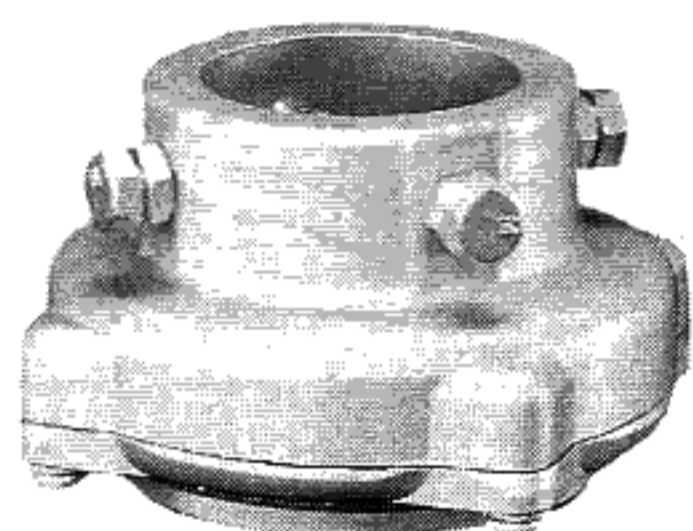


# Parts List

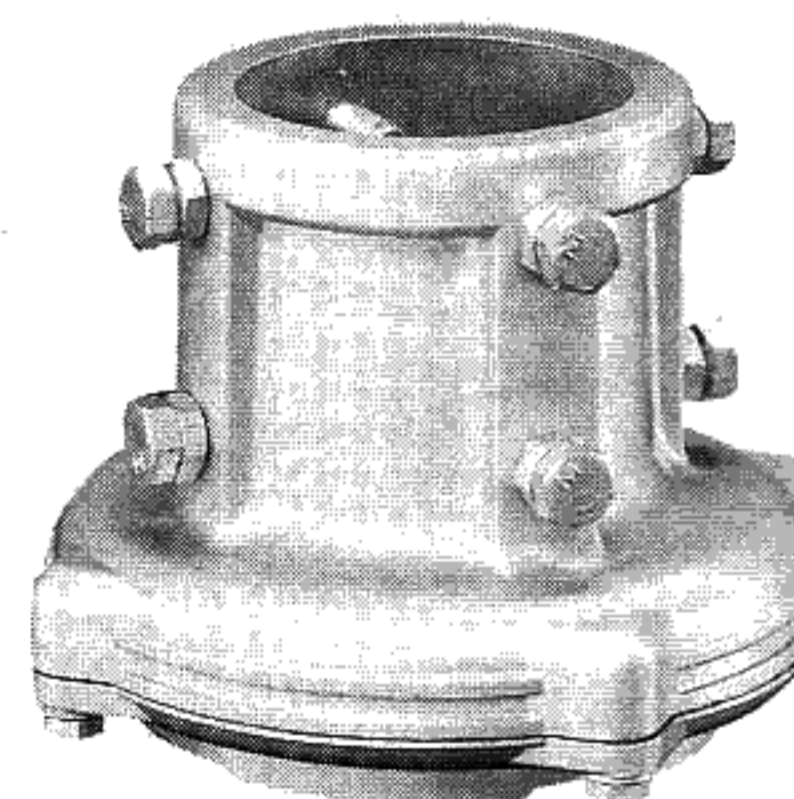
## Rotater Unit

Ref. No.	Part Description	Part No.	Ref. No.	Part Description	Part No.	Ref. No.	Part Description	Part No.
1	Lower Housing	S8000360	22	2.5 mm E-Ring	S8000380	43	Pot. Lock Washer	Q9000420
2	Upper Housing	S8000361	23	Gearshaft (x3)	-	44	Pot. Nut	Q9000420
3	M6 Split Washer (x4)	S8000362	24	Gear Assembly A	S8000381	45	Pot. Gear #1	S800397
4	M6 x 20 Screw (x4)	S8000363	25	Gear Assembly C	S8000382	46	Pot. Gear Setscrew	S800398
5	Ball Bearing	S8000364	26	Sandwich Gear #1 *	S8000383	47	Pot. Gear #2	S800399
6	Socket Gasket	S8000365	27	Gear Assembly A **	S8000384	48	Mast Clamp	S800400
7	Socket	S8000366	28	Sandwich Gear #1 **	S8000385	49	M8 x 70 Bolt	S800401
8	3 x 10 Tapping Screw (x3)	S8000367	29	Divider Gear #1	S8000386	50	8mm Split Washer	S800402
9	Inner Housing Seal Plate	S8000368	30	Divider Gear #2 *	S8000387	51	M8 Nut	S800403
10	Binding Screw (x2)	S8000369	31	Divider Gear #2 **	S8000388	52	8 mm Washer	S800404
11	Inner Housing	S8000370	32	Spacer Bushing	S8000389	53	8 mm Split Washer	S800405
12	M3 x 8 Screw	S8000371	33	Upper Gearbox Plate	S8000390	54	M8 x 25 Bolt	S800406
13	DC Motor	M2190017	34	M6 x 6 Bolt (x4)	S8000391	55	Ring Housing	S8001173
14	Motor Mount Plate	S8000372	35	Rotation Limiter	S8000392	56	Brake Drum	S8001174
15	M3 x 6 Screw (x3)	S8000373	36	Retainer Ring	S8000393	63	M8 x 95 Socket Hd. Cap Screw	S8001175
16	Lower Gearbox Plate	S8000374	37	Limit Switch	N7090087	64	M8 Square Nut	S8001176
17	M3 x 8 Screw (x4)	S8000375	38	M3 x 16 Screw	S8000394			
18	Coil Spring	S8000376	39	Pot. Mounting Plate	S800395		Notes:	
19	Spring Washer	S8000377	40	Binding Screw	S800396		* used w/G-1000	
20	M3 x 3 Setscrew	S8000378	41	Potentiometer	Q9000420		** used w/G-800	

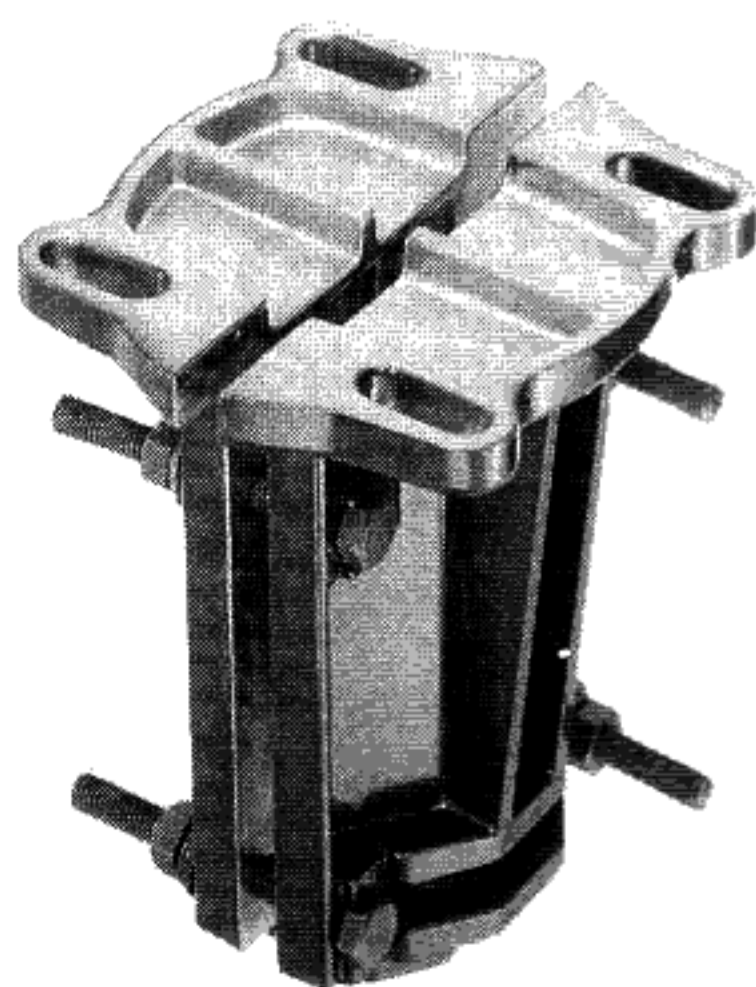
## OPTIONAL PARTS



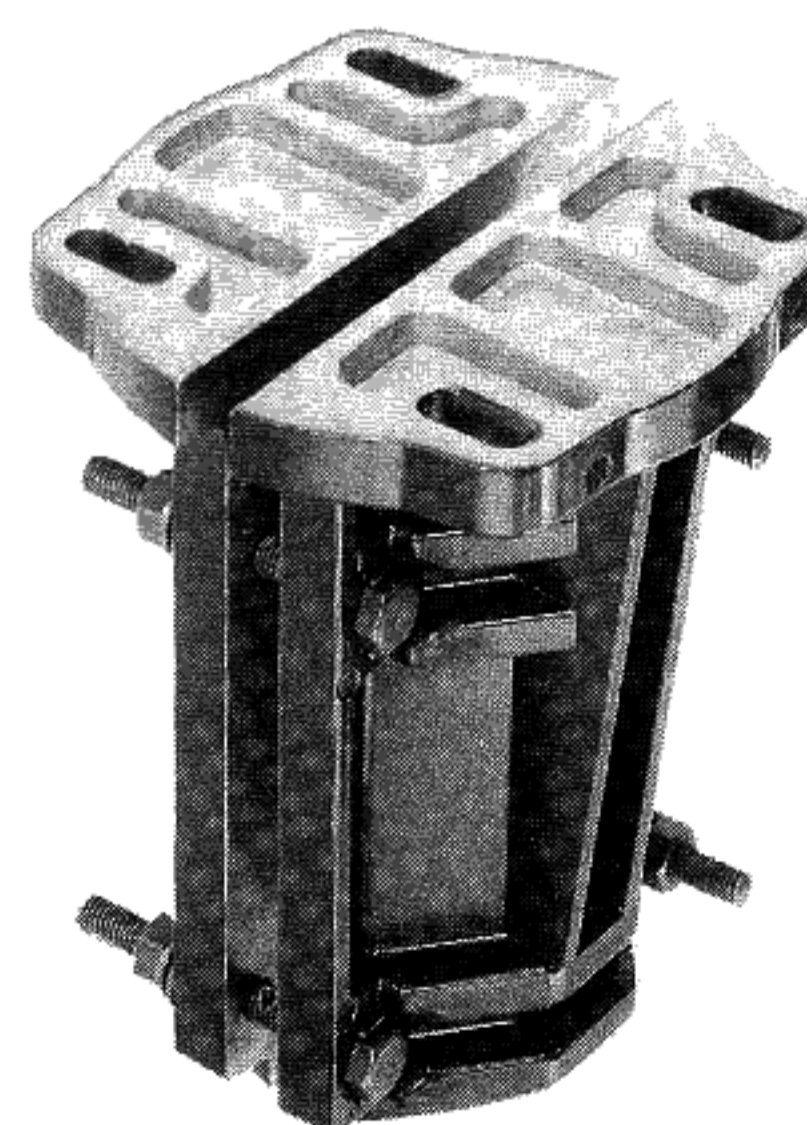
**GS-050 50mm  
Thrust Bearing**



**GS-065 65mm  
Thrust Bearing**

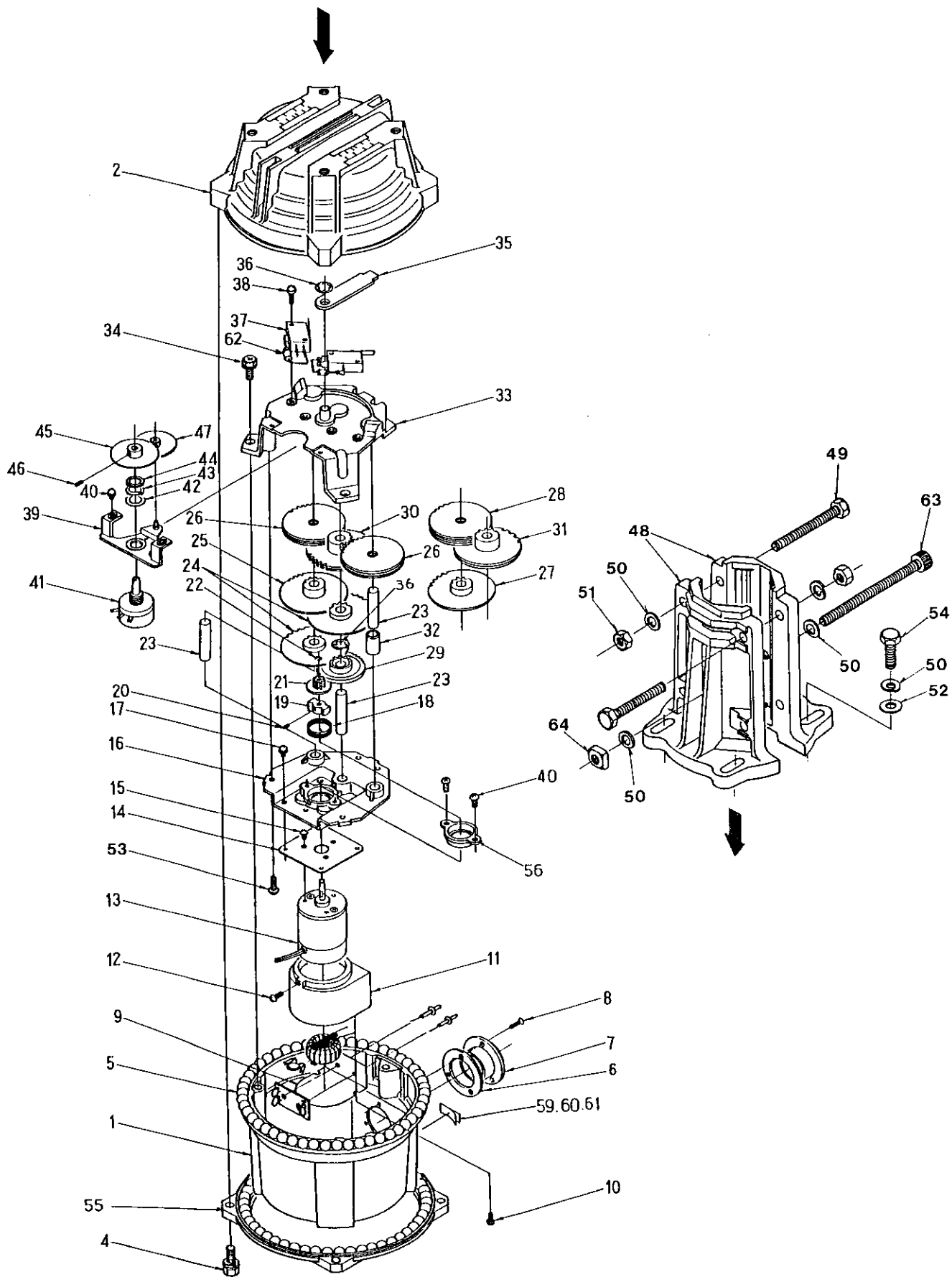


**GC-038  
Mast Clamp**



**GC-048  
Mast Clamp**



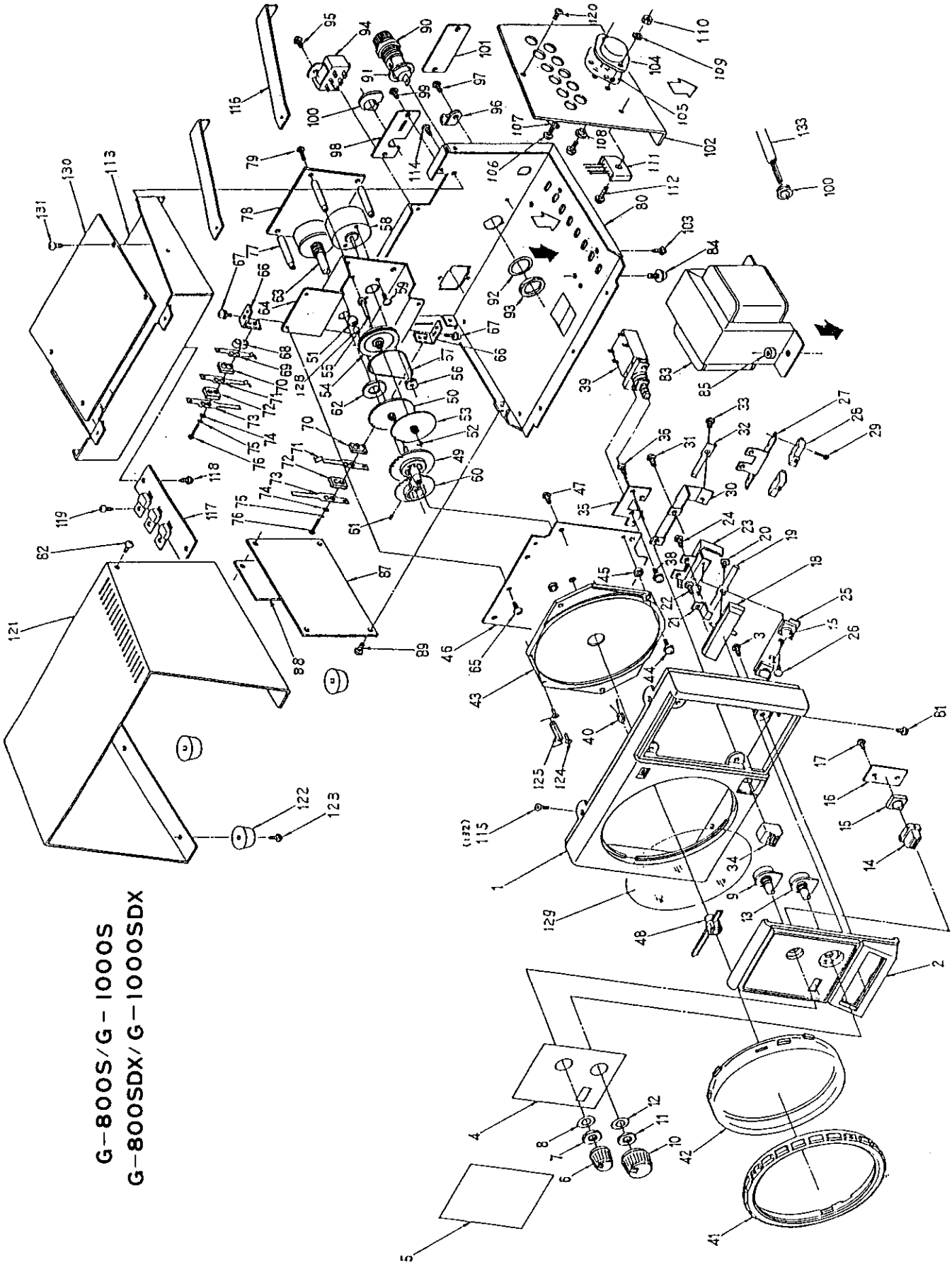


## Controller Unit

Ref. No.	Model Unit	S	SDX	Qty.	Part Description
1	S/SDX	S8000407	S8000440	1	Front Panel
2	S/SDX	S8000408	S8000441	1	Switch Panel
3	S/SDX	S8000834	S8000834	4	3 x 8 Screw
4	SDX		S8001189 S8001190	1	Switch Panel Name Plate for G-800SDX Switch Panel Name Plate for G1000SDX
5	S	R8123320 R8123330		1	Switch Panel Name Plate for G-800S Switch Panel Name Plate for G1000S
6	SDX		S8000442	1	Speed Control Knob
7	SDX		S8000859	1	VR Nut
8	SDX		S8000860	1	VR Washer
9	SDX		Q9000425	1	Speed Control VR
10	SDX		S8000444	1	Preset Knob
11	SDX		S8000861	1	VR Nut
12	SDX		S8000862		VR Washer
13	SDX		Q9000426	1	Preset VR
14	SDX		S8000444	1	Reset Knob
15	SDX SDX SDX		N7090084 N7090085 N7090086	1	"L-R" Rotation Switch "L-R" Rotation Switch Reset Switch
16	SDX		Q9000488	1/4	PC Board # 1
17	SDX		S8000863	2	3 x 8 Screw
18	S/SDX	S8000409	S8000445	1	"L-R" Knob
19	S/SDX	S8000410	S8000446	1	Switch Spring
20	S/SDX	S8000835	S8000835	1	3 x 8 Screw
21	S/SDX	S8000411	S8000447	1	L/R Knob Fixing Metal
22	S/SDX	S8000836	S8000836	1	3 x 8 Screw
23	SDX		S8000864	1	L/R Switch Mounting Plate
24	S/SDX	S8000837	S8000837	2	3 x 8 Screw
25	SDX		Q9000488	1/4	P.C. Board #2
26	SDX		S8000865	2	3 x 6 Screw
27	S	S8000412		1	L/R Switch Mounting Plate
28	S	N7090078 N7090079		1 1	L/R Switch L/R Switch
29	S	S8000854		4	M2.3 x 10 Screw
30	S	S8000413		1	Lock Spring Mounting Metal
31	S	S8000855		2	3 x 8 Screw
32	S	S8000414		1	Lock Spring
33	S	S8000856		1	3 x 6 Screw
34	S/SDX	S8000415	S8000448	1	Power Switch Knob
35	S/SDX	S8000416	S8000449	1	Power Switch Mounting Plate
36	S/SDX	S8000838	S8000838	2	3 x 8 Screw
37					
38	S/SDX	S8000839	S8000839	2	M3 x 6 Screw
39	S/SDX	N7090074	N7090080	1	Power Switch
40	S/SDX	G2090418	G2090418	1	LED

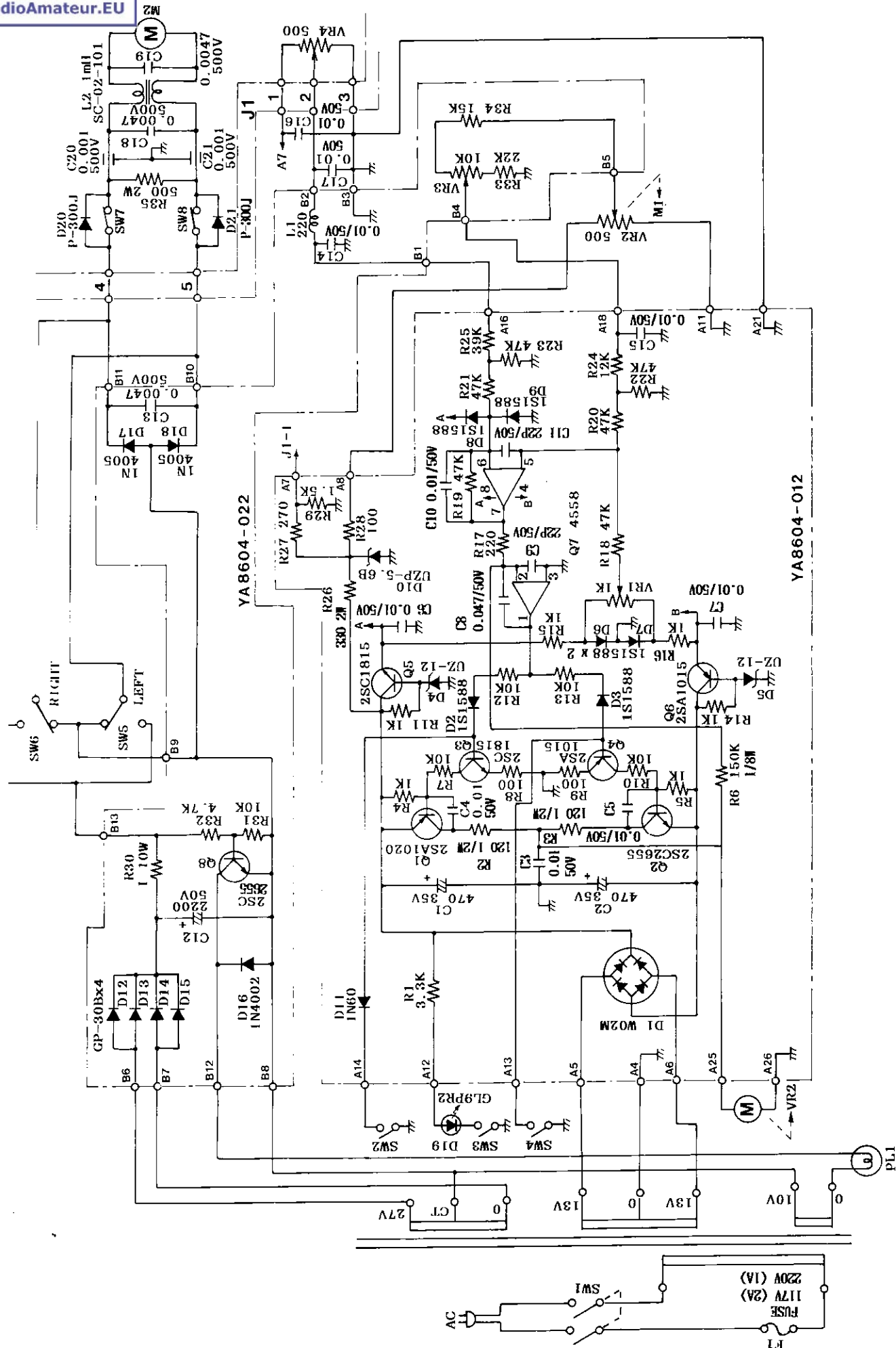
Ref. No.	Model Unit	S	SDX	Qty.	Part Description
41	S/SDX	S8000417	S8000450	1	Bezel
42	S/SDX	S8000418	S8000451	1	Clear Cover
43	SS/DX	S8000419	S8000452	1	Dial Scale
44	S/SDX	S8000840	S8000840	3	3 x 10 Screw
45	S/SDX	S8000420	S8000453	3	Dial Plate Spacer
46	S/SDX	S8000421	S8000454	1	Dial Mounting Plate
47	S/SDX	S8000841	S8000841	4	3 x 8 Screw
48	S/SDX	S8000422	S8000455	1	Indicator Needle
49	S/SDX	S8000423	S8000456	1	Control Gear #2
50	S/SDX	S8000424	S8000457	1	Control Gear #1
51	S/SDX	S8000425	S8000458	1	Insulation Bush
52	S/SDX	S8000842	S8000842	1	"E" Ring 02
53					
54	S/SDX	S8000426	S8000459	1	Large Pulley
55	S/SDX			1	Gear Shaft (installed in No. 64 Gear Base)
56	S/SDX	S8000427	S8000460	1	Small Pulley
57	S/SDX	S8000428	S8000461	1	Rubber Belt
58	S/SDX	M2190015	M2190015	1	DC Motor
59	S/SDX	S8001019	S8001019	2	M2.6 x 5 Screw
60	S/SDX	S8000429	S8000462	1	VR Gear
61	S/SDX	S8001020	S8001020	1	M3 x 3 VR Gear Setscrew
62	S/SDX	S8001021	S8001021	1	VR Nut w/Washer & Split Washer
63	S/SDX	Q9000422	Q9000422	1	Potentiometer
64	S/SDX	S8000430	S8000463	1	Gear Base (Incl. No. 55, 77)
65	S/SDX	S8000843	S8000843	4	3 x 6 Screw
66	S/SDX	N7090075	N7090081	1	3p Leaf Switch Assembly (Incl. No. 67 - 76)
67-76					
77	S/SDX			1	Stud (installed in No. 64 Gear Base)
78	S/SDX	Q9000478	Q9000487	1	P.C. Board #5
79	S/SDX	S8000844	S8000844	4	M3 x 6 Screw
80	S/SDX	S8000431	S8000464	1	Chassis
81	S/SDX	S8000845	S8000845	3	3 x 8 Screw
82	S/SDX	S8000846	S8000846	2	3 x 6 Screw
83	S/SDX	L3190010	L31900012	1	
84	S/SDX	S8000847	S8000847	2	M4 x 10 Screw
85	S/SDX	S8000848	S8000848	2	M4 Nut
86					
87	SDX		Q9000488	1/4	P.C. Board #3
88	S	Q9000479		1	P.C. Board #6
89	SDX		S8000866	4	3 x 6 Screw
	S	S8000857		2	3 x 6 Screw

Ref. No.	Model Unit	S	SDX	Qty.	Part Description
91	S/SDX	P2000038 Q0000002 Q0000003	P2000039 Q0000002 Q0000003	1	Fuse Holder (incl. No. 91 - 93) Fuse (220 V) Fuse (117V)
91-93					
94	S/SDX	S8000432	S8000465	1	Control Cable Socket
95	S/SDX	S8000849	S8000849	2	3 x 6 Screw
96	SDX	S8000434	S8000466	1	Cord Clamp
97	SDX		S8001022	1	3 x 8 Screw
98	SDX		S8001023	1	Expansion Board Rear Cover
99	S/SDX	S8000850	S8000850	2	3 x 6 Screw
100	S/SDX	S8000433	S8000467	2	Rubber Grommet
101	S	S8000435		1	Blind Cover
102	SDX		S8000469	1	Heat Sink
103	SDX		S8000867	2	3 x 6 Screw
104	SDX		G3090014	1	Transistor
105-110					
111	SDX		G2090437	1	Bridge Diode
112	SDX		S8000868	1	3 x 12 Screw
113	SDX		S8000869	1	Expansion Board Chassis
114	S/SDX	S8000851	S8000851	2	3 x 6 Screw
115	SDX		S8000870	2	M3 x 6 Screw
116	S	S8000436		2	Front Panel Supporting Plate
117	SDX		Q9000488	1/4	P.C. Board #4
118	SDX		S8001024	2	3 x 6 Screw
119	SDX		S8000871	1	3 x 6 Screw
120	SDX		S8000872	1	3 x 6 Screw
121	S/SDX	S8000437	S8000471	1	Cover
122	S/SDX	S8000438	S8000472	4	Rubber Foot
123	S/SDX	S8000852	S8000852	4	3 x 8 Screw
124	S/SDX	S8000853	S8000853	2	Eyelet w/Lug Terminal
125	S/SDX	Q1000069	Q1000070	1	Axial Lamp
126-127					
128	S/SDX	S8001026	S8001026	1	Bushing
129	S/SDX	S8000439	S8000473	1	Direction Sheet (Accessory)
130	SDX		A0458001	1	Expansion Board (option=GS-23)
131	SDX		S8000873	4	3 x 8 Screw
132	S	S8000858		2	3 x 8 Screw for S version
133	S/SDX	S8100274 S8100275	S8100274 S8100275	1 1	Power Cord for 220V Power Cord for 117V

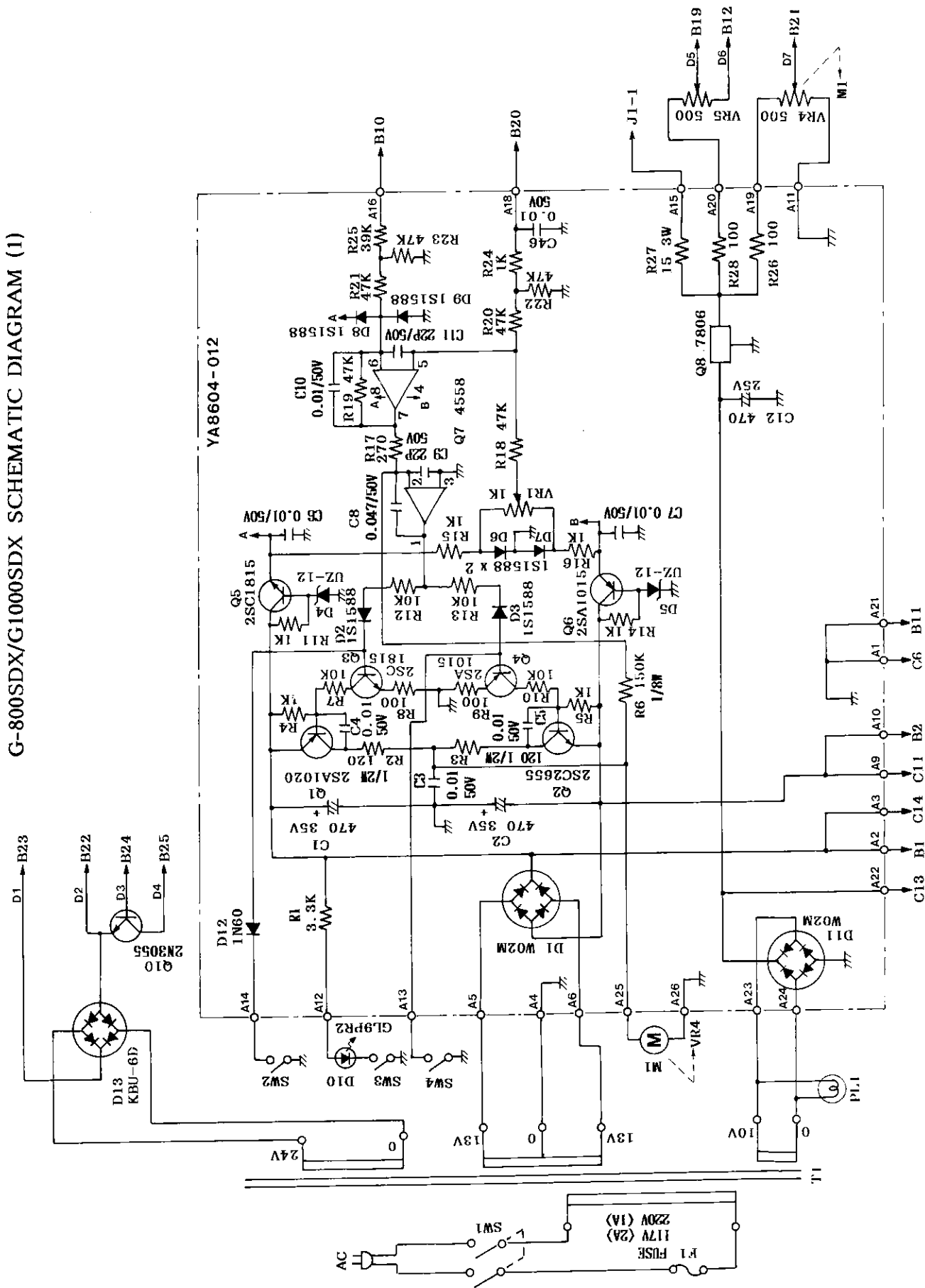


**G-800S/G-1000S**  
**G-800SDX/G-1000SDX**

G-800S/G1000S SCHEMATIC DIAGRAM



G-800SDX/G1000SDX SCHEMATIC DIAGRAM (1)









# YAESU

Copyright 1994  
Yaesu Musen Co., Ltd.  
All rights reserved.  
Printed in Japan.

No portion of this manual  
may be reproduced  
without the permission of  
Yaesu Musen Co., Ltd.