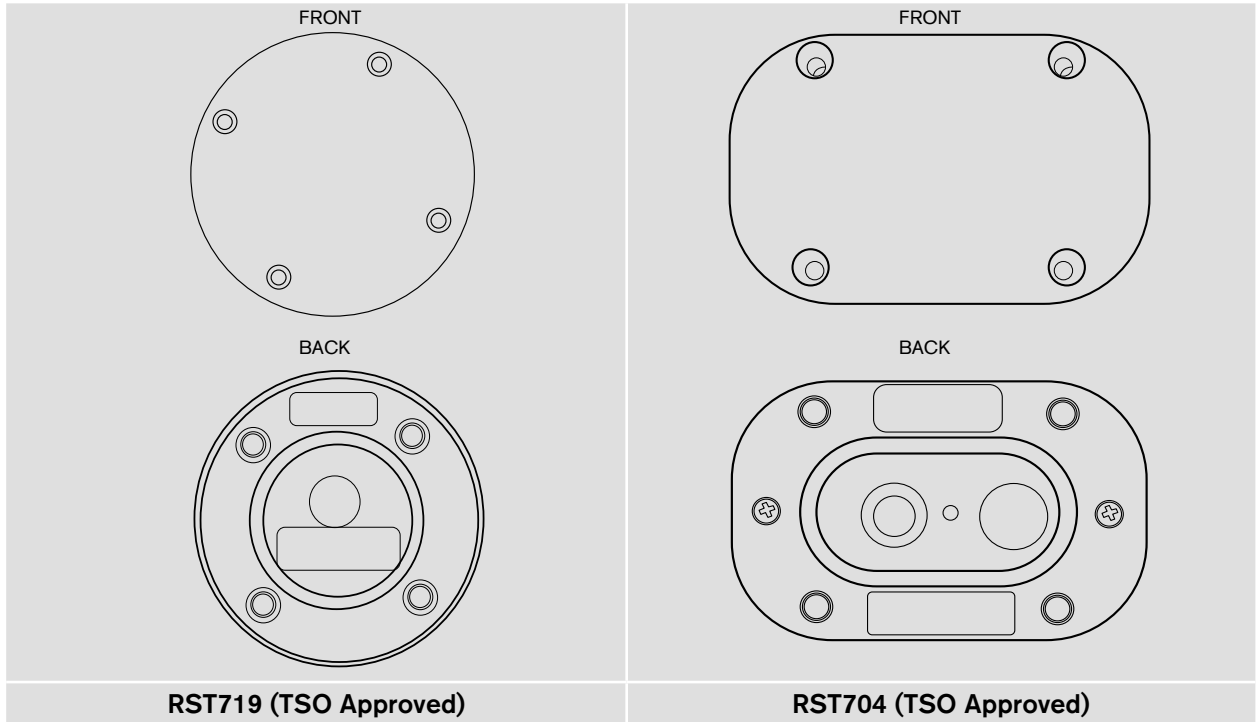


Beam Antenna RST704 and 719 TSO Approved



These Iridium antennas are designed to be installed in what is referred to as a “Bulk Head Mount” installation, these antennas are not supplied with a cable and a suitable cable within specification should be used. The antennas are designed for permanent installations and will require drilled holes and screws to affix them in place.

The GPS antenna have SMA connectors and the Iridium TNC. The 704 & 719 require 4 screws (supplied) to affix the antenna in place.

**To install the antenna you will need to;**

1. Use an existing mounting hole or drill a hole that will enable the antenna connector to pass through
2. The hole size should not exceed the size of the hexagonal locking nut
3. Remove the hexagon locking nut from the base of the antenna
4. Secure the hexagonal nut in place on the base of the antenna and tighten antenna firmly in place
5. If this is has screw holes then it is advisable to use these to secure to the surface.
6. connect antenna cable to the antenna and then to the terminal

**Applications**



SMALL AIRCRAFT



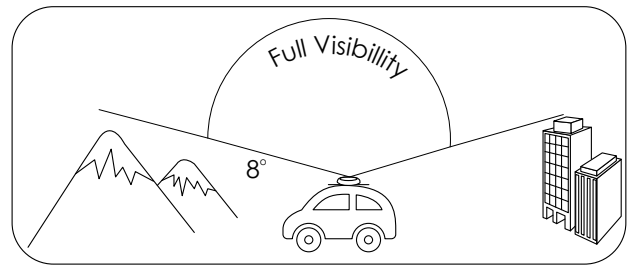
HELICOPTER

Antenna installation is critical for optimum performance of your Iridium service.

### Installation Guidelines

To ensure maximum performance of the antenna system and to maximise availability and reliability of service the antenna must;

- have a clear line of site to the sky
- be clear and free of obstructions
- be clear of metal objects
- be located away from other transmitting devices
- be securely affixed in location
- not be located indoors
- be installed in conjunction with a certified cable



### Installing Antenna Cables

When installing antenna cables, follow these guidelines:

- Route and restrain cables to prevent them from vibrating or moving under normal conditions, which could result in damage to the antenna or the coaxial cable connections.
- Wherever the cables contact structures, protect the cables from chafing or abrasion. If a cable needs to be bent, avoid kinking it, and ensure that each bend radius follows the cable supplier limits.
- Use coaxial sealant, shrink-wrap tubing, electrical tape, or another suitable product to seal all cable connections appropriately to prevent moisture and corrosion damage from weather exposure.
- Mount all antennas vertically and clear of nearby metal obstructions
- Minimize horizontal obstructions as much as possible because they can create areas of poor system coverage.
- To minimize the loss of radio signal from the antenna to the terminal, the specific coaxial cable system between the antenna and the other component should be less than 3db including connector loss.

### Installation Options

The antenna system is suitable for marine, vehicle and fixed applications and is designed to meet Iridium System performance requirements when installed according to the instructions in this guide.

The following figure shows typical Installations:

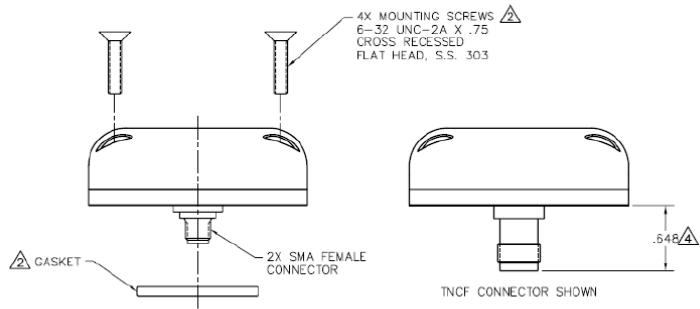
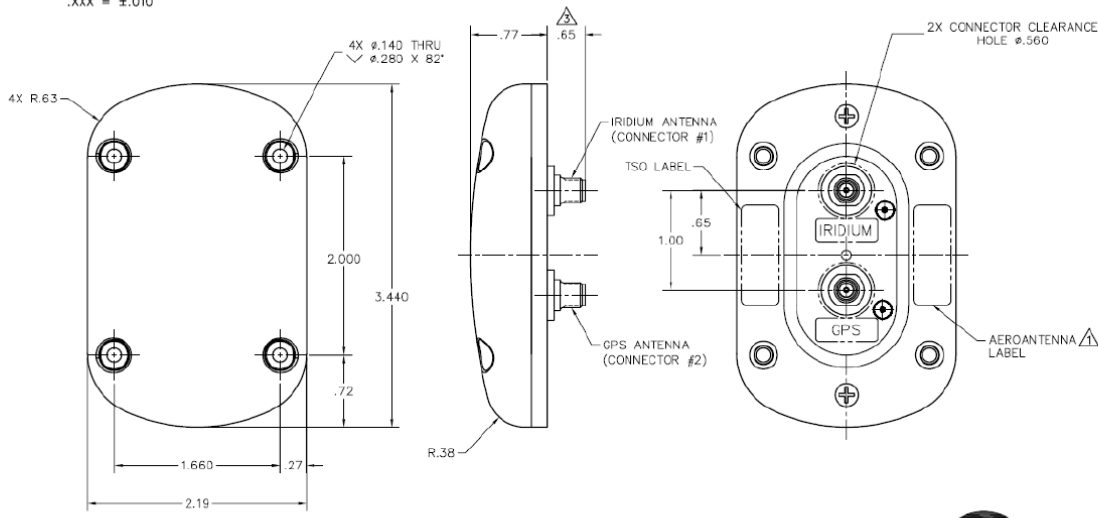
#### Preferred Antenna Location

<b>Vehicle Antenna Installation</b> The ideal position for any vehicle-mounted application is to capitalise on the greatest ground plane from the surface of the vehicle.	
<b>Marine Antenna Installation</b> The antenna must be installed without obstruction of other instruments or structures. The antenna must not be positioned within range of radar equipment or other RF interference.	
<b>Fixed Site Installation</b> The antenna must be installed without obstruction of other buildings, chimneys or other structures. Consideration should also be given to the surrounding environments such as large trees, mountains or other buildings.	

PROPRIETARY NOTICE: This document contains proprietary information of AAT Inc. neither the document nor said proprietary information shall be published, reproduced, copied, disclosed or used for any purpose other than consideration of this document without the express written permission of a duly authorized representative of said Company.

NOTES: UNLESS OTHERWISE SPECIFIED.

- ▲ SIZE, SHAPE, AND CONTENTS OF NAME PLATE ARE SUBJECT TO CHANGE WITHOUT NOTICE.
- ▲ MOUNTING SCREWS AND O-RING SUPPLIED BY AEROANTENNA.
- ▲ DIMENSIONS FOR SMAF CONNECTOR.
- ▲ DIMENSIONS FOR TNCF CONNECTOR.
- 5. TOLERANCE: .XX = ±.03  
.XXX = ±.010



REVISIONS			
SYM	DESCRIPTION	DATE	APPROVED
B	ECO 6215 ADD GPS AND IRIIDIUM LABEL	8/6/06	

SPECIFICATION:

FREQUENCY: 1621 ±5 MHz  
1575 ±5 MHz

POLARIZATION: RIGHT HAND CIRCULAR

AXIAL RATIO: 3 dB MAX

RADIATION COVERAGE: IRIIDIUM  
ELEVATION ANGLE: 0°<θ<10° GAIN: -2.5 dBic min  
10°<θ<90° 0 dBic min

GPS  
ELEVATION ANGLE: 0°<θ<10° GAIN: -7.5 dBic min  
10°<θ<20° -5.5 dBic min  
20°<θ<30° -3.5 dBic min  
θ>30° -2.5 dBic min

AMPLIFIER: IRIIDIUM: PASSIVE  
GAIN: GPS L1: 26 dB (35 mA)

VOLTAGE: IRIIDIUM: PASSIVE  
GPS L1: 3 VDC

NOISE FIGURE: 2.5 dB MAX

IMPEDANCE: 50 OHMS

VSWR: ≤2.0:1

POWER HANDLING: 10 WATTS

CONNECTOR: SPECIFY

WEIGHT: 4.50 OZ.

ALTITUDE: 55,000'

OPERATING TEMP: -55°C TO +85°C

DESIGNED TO: DO-160E  
ENV CAT: F2-ABB[S(CLM\*)U(FF1)]XSFDFSZXXXPK[A3][2A]CX  
C-144

TSO:

DO NOT SCALE THIS DRAWING	DRAWN E. ZELAYA 5/24/05
ALL DIMENSIONS ARE IN INCHES DIMENSIONING & TOLERANCING PER ASME Y14.5M-1994	CHECKED
TOLERANCES: .00X = ±.01 .000X = ±.005 FRACT = ±1/32 ANG. = ±1/2°	ENGR TIP JEENSALUTE 5/25/06
✓ SURFACE ROUGHNESS MACHINED PARTS VES MOLDED PARTS V32	MFG D. LEVY 05/26/06
REMOVE BURRS AND BREAK SHARP EDGES: PART TO BE CLEAN AND OIL FREE	C.A. B. RUBENI 05/25/06
UNLESS OTHERWISE SPECIFIED	APPROVED G. SHAR 5/25/06
NEXT ASSY	DRAWN IN CAD



TITLE  
**Dual Mode Aero - White**

SIZE B	1	<b>RST704</b>	REV B
SCALE NONE	SHEET 1 OF 1		