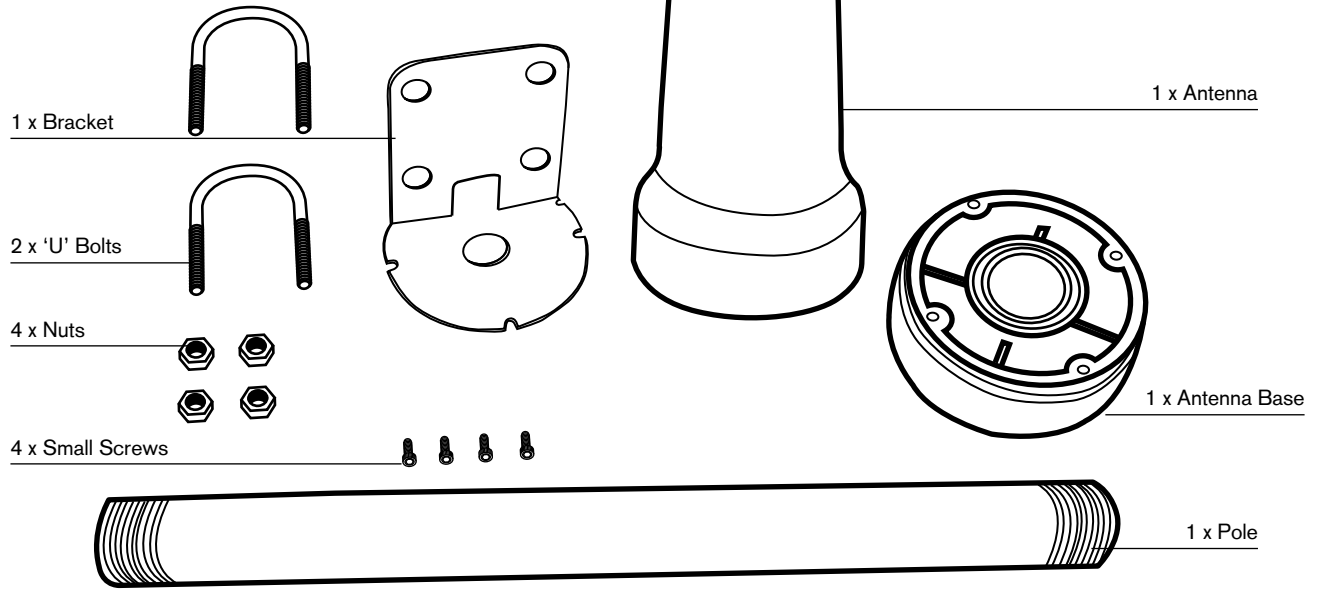
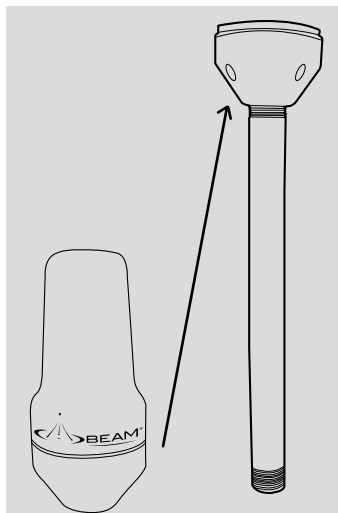


Beam Antenna RST710



The antenna can be installed using either a pole mount or bracket mount provided.

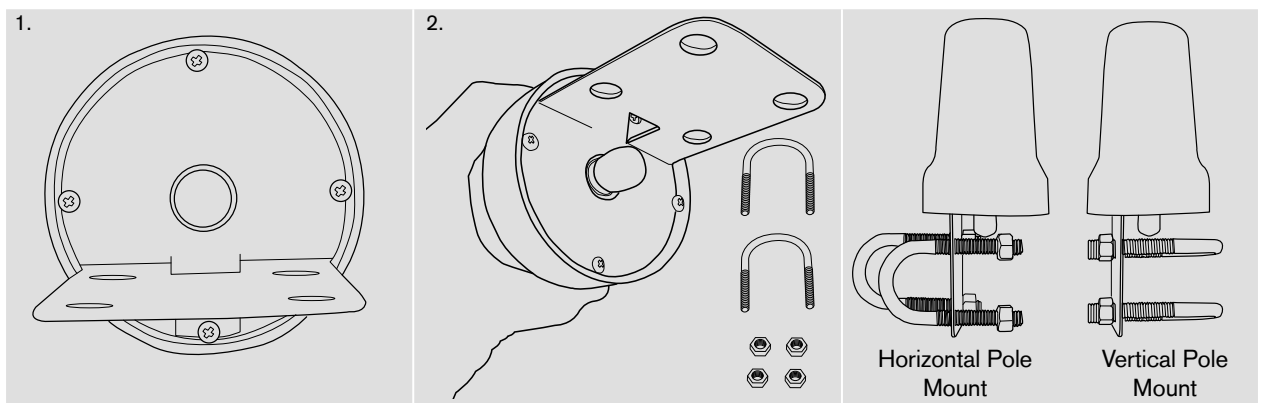


Pole Mount Assembly

1. Feed the cable through the pole
2. Feed the cable through the base plate
3. Connect the antenna cable to the antenna
4. Screw the base to the antenna housing using screws provided
5. Screw the pole into the base to secure the pole to the antenna

Bracket Mounting Assembly

1. Attach the antenna bracket to the base of the antenna housing using the screws provided
2. Using the "U" bolt provided, the antenna can be affixed to either a horizontal or pole mount.



Applications



LARGE VESSELS



LEISURE CRAFT



VEHICLES



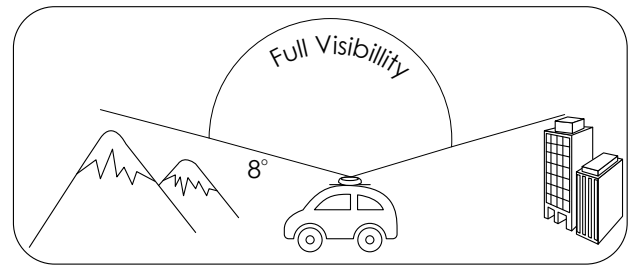
TRUCK

Antenna installation is critical for optimum performance of your Iridium service.

Installation Guidelines

To ensure maximum performance of the antenna system and to maximise availability and reliability of service the antenna must;

- have a clear line of site to the sky
- be clear and free of obstructions
- be clear of metal objects
- be located away from other transmitting devices
- be securely affixed in location
- not be located indoors
- be installed in conjunction with a certified cable



Installing Antenna Cables

When installing antenna cables, follow these guidelines:

- Route and restrain cables to prevent them from vibrating or moving under normal conditions, which could result in damage to the antenna or the coaxial cable connections.
- Wherever the cables contact structures, protect the cables from chafing or abrasion. If a cable needs to be bent, avoid kinking it, and ensure that each bend radius follows the cable supplier limits.
- Use coaxial sealant, shrink-wrap tubing, electrical tape, or another suitable product to seal all cable connections appropriately to prevent moisture and corrosion damage from weather exposure.
- Mount all antennas vertically and clear of nearby metal obstructions
- Minimize horizontal obstructions as much as possible because they can create areas of poor system coverage.
- To minimize the loss of radio signal from the antenna to the terminal, the specific coaxial cable system between the antenna and the other component should be less than 3db including connector loss.

Installation Options

The antenna system is suitable for marine, vehicle and fixed applications and is designed to meet Iridium System performance requirements when installed according to the instructions in this guide.

The following figure shows typical Installations:

Preferred Antenna Location

Vehicle Antenna Installation The ideal position for any vehicle-mounted application is to capitalise on the greatest ground plane from the surface of the vehicle.	
Marine Antenna Installation The antenna must be installed without obstruction of other instruments or structures. The antenna must not be positioned within range of radar equipment or other RF interference.	
Fixed Site Installation The antenna must be installed without obstruction of other buildings, chimneys or other structures. Consideration should also be given to the surrounding environments such as large trees, mountains or other buildings.	



WARNING:

Do not place the antenna anywhere there is a source of heat or fumes such as the ship's exhaust.

PROPRIETARY NOTICE: This document contains proprietary information of AAT Inc. neither the document nor said proprietary information shall be published, reproduced, copied, disclosed or used for any purpose other than consideration of this document without the express written permission of a duly authorized representative of said Company.

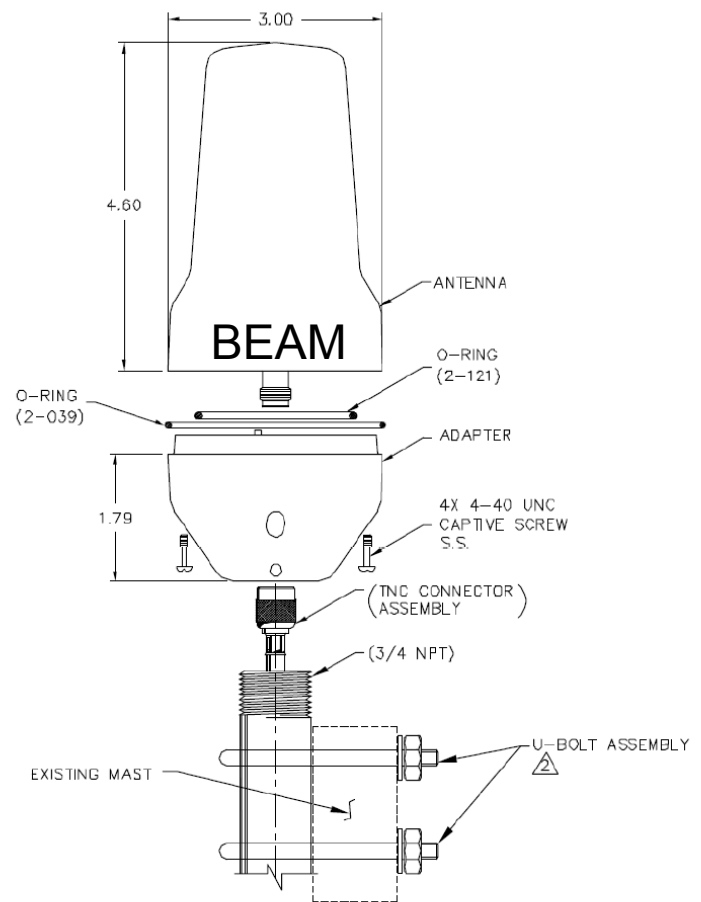
REVISIONS			
SYM	DESCRIPTION	DATE	APPROVED
A	PRODUCTION RELEASE	11/11/04	

NOTES: UNLESS OTHERWISE SPECIFIED

- LOGO OPTIONAL
- U-BOLT ASSEMBLY WILL ACCEPT .75-1.00 OD PIPE, TORQUE NUTS TO 4-6 IN/LBS.
- TOLERANCES: .XX = ±.03
.XXX = ±.010

SPECIFICATION:

FREQUENCY: 1616-1626 MHz
 POLARIZATION: RIGHT HAND CIRCULAR
 AXIAL RATIO: 3 dB MAX AT BORE SIGHT.
 RADIATION COVERAGE: +.04 dBic 0° = 0°
 +1.4 dBic 0° < θ < 45°
 -0.25 dBic 75° ≤ θ < 82°
 IMPEDANCE: 50 OHMS
 VSWR: ≤2.0:1
 POWER HANDLING: 1 WATT
 FINISH: WEATHERABLE POLYMER WHITE
 CONNECTOR: TNC FEMALE
 WEIGHT: 11 OZ
 ALTITUDE: 20,000'
 TEMPERATURE: -55°C to +85°C



DO NOT SCALE THIS DRAWING	DRAWN A. FARIAS	1/11/04
ALL DIMENSIONS ARE IN INCHES DIMENSIONING & TOLERANCING PER AS9114.5M	CHECKED	
TOLERANCES: .XX = ±.01 .XXX = ±.006 FRACT = ±1/32 ANG. = ±1/2°	ENGR N. INSTRATE	11/12/04
✓ SURFACE ROUGHNESS MACHINED PARTS V32 MOLDED PARTS V32	MFG	
REMOVE BURRS AND BREAK SHARP EDGES.	Q.L.	
PART TO BE CLEAN AND OIL FREE	APPROVED	
UNLESS OTHERWISE SPECIFIED	DRAWN IN CAD	



TITLE		Iridium Mast Ant - White	
SIZE	B	RST710	REV A
SCALE NONE		SHEET 1 OF 1	